

BOSE® MUSIC SYSTEM ACURA TL (S0K)

Introduction:

The Bose® Music System, designed for the Acura TL, is custom tailored to match the specific acoustic characteristics of this vehicle's interior. The system is designed to provide the maximum of freedom for styling, while still providing excellent performance.

Content (See "Service Configuration and Recommendation" for part numbers):

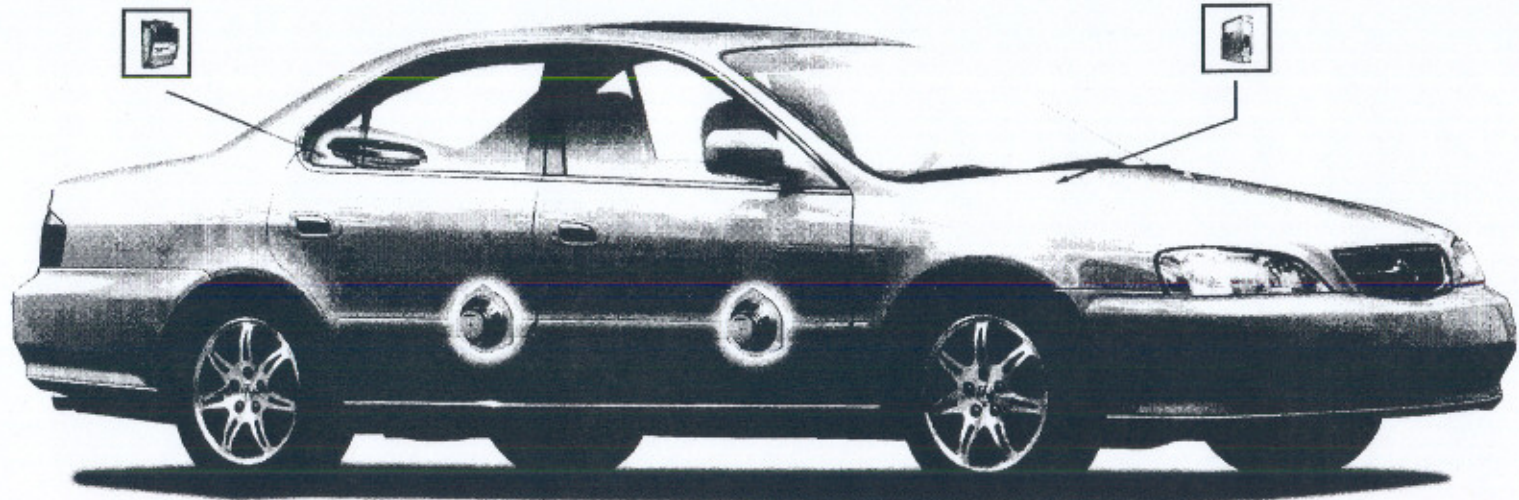
Front Doors:	2- Bose 16cm 4Ω Full Range Speakers, infinitely baffled into the door.
Rear Doors:	2- Bose 16cm 4Ω Full Range Speakers, infinitely baffled into the door.
Parcel Shelf:	1-Bose 9" 0.5Ω New low profile, low mass, high performance Nd™ speaker, with TSM 100W amplifier, infinitely baffled into the trunk.
Under Front Seat:	1- Bose centralized, 5 output high performance signal Processor, with active equalization network and compression circuitry. The signal processor provides four stereo channels for the front and rear doors, with one summed monaural channel to the amplifier and woofer speaker on the rear parcel shelf.
Radio:	A special AM/FM Stereo Radio with multiple preset station memory, station seek and scan, automatic music search, tone controls, fader and balance controls. The Radio has specially designed circuits in order to be compatible with the Bose Signal Processor.

The active equalization network takes into account the absorptive and reflective characteristics of seats, windshield, seat coverings, instrument panel and door shapes, speaker placement and occupant placement.

The music system's speakers are arranged in a cross-firing pattern in the car which allows both the driver and the passengers a Stereo Everywhere® speaker effect; the kind of effect one experiences at live performances.

Bose 9" 0.5Ω Low profile Nd™
Technology Speaker with 100W
Amplifier

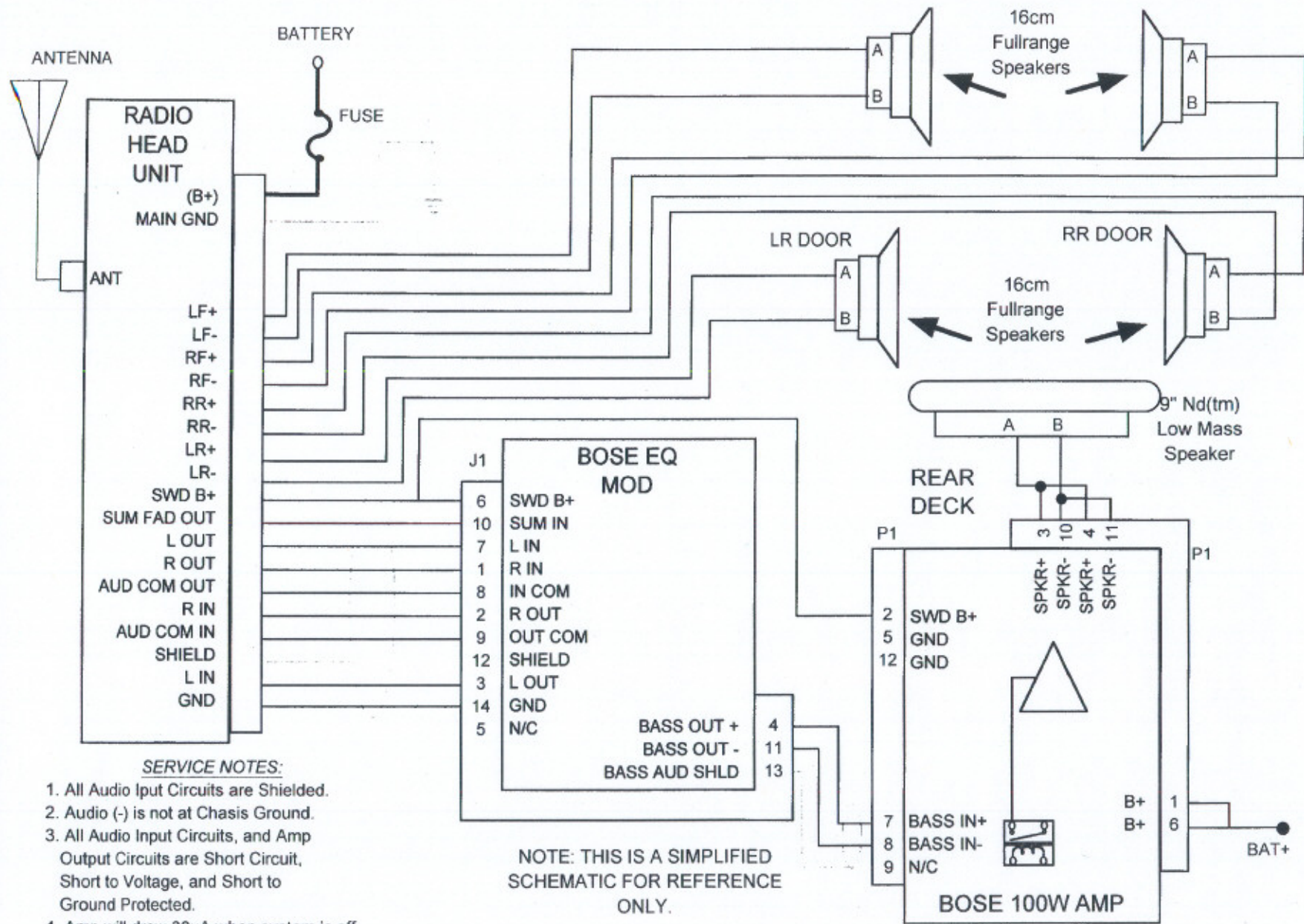
Bose EQ Mod
5 Output signal processor



3

16cm 4Ω Speakers in front
and rear doors

BOSE® MUSIC SYSTEM
ACURA TL (SOK)



SERVICE NOTES:

1. All Audio Input Circuits are Shielded.
2. Audio (-) is not at Chassis Ground.
3. All Audio Input Circuits, and Amp Output Circuits are Short Circuit, Short to Voltage, and Short to Ground Protected.
4. Amp will draw 30uA when system is off.
5. No "Bose Relay" Power up is a Solid State function of the Bose Amp.
6. End User Modifications ("Upgrades") are NOT recommended or sanctioned.

NOTE: THIS IS A SIMPLIFIED SCHEMATIC FOR REFERENCE ONLY.

**Bose Music System® Wiring Schematic
ACURA TL (SOK)**