



**Front Accessory Power Socket Lid Won't Stay Closed**

**SYMPTOM**

The lid on the center console front accessory power socket will not stay closed.

**PROBABLE CAUSE**

The center console power socket lid latch is broken.

**CORRECTIVE ACTION**

Replace the center console front accessory power socket lid latch.

**PARTS INFORMATION**

Console power socket latch: P/N 77297-SJA-003

**TOOL INFORMATION**

KTC Trim Tool Set: T/N SOJATP2014

**WARRANTY CLAIM INFORMATION**

**In warranty:** The normal warranty applies.

Operation Number: 8411P9

Flat Rate Time: 0.3 hour

Failed Part: P/N 77296-SJA-A01(ZB)

Defect Code: 01801

Symptom Code: 08202

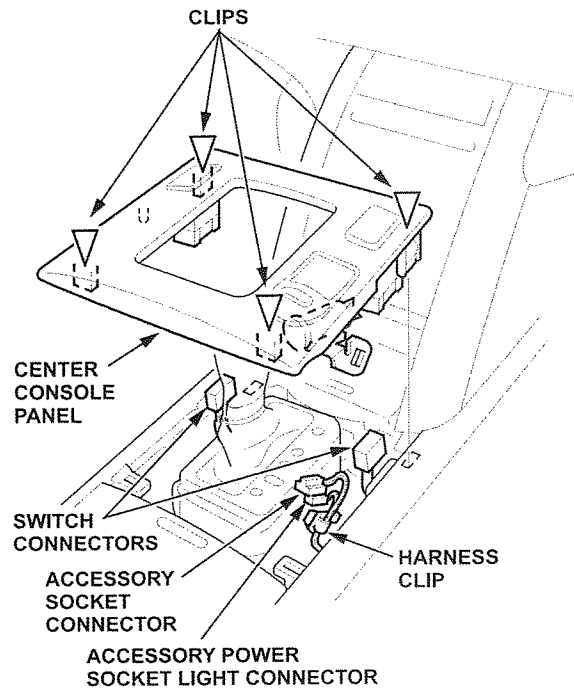
Template ID: 08-002A

Skill Level: Repair Technician

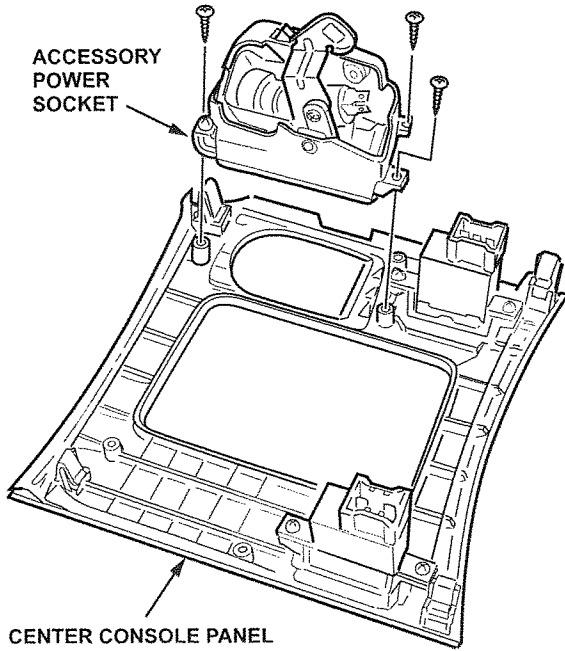
**Out of warranty:** Any repair performed after warranty expiration may be eligible for goodwill consideration by the District Parts and Service Manager or your Zone Office. You must request consideration, and get a decision, before starting work.

**REPAIR PROCEDURE**

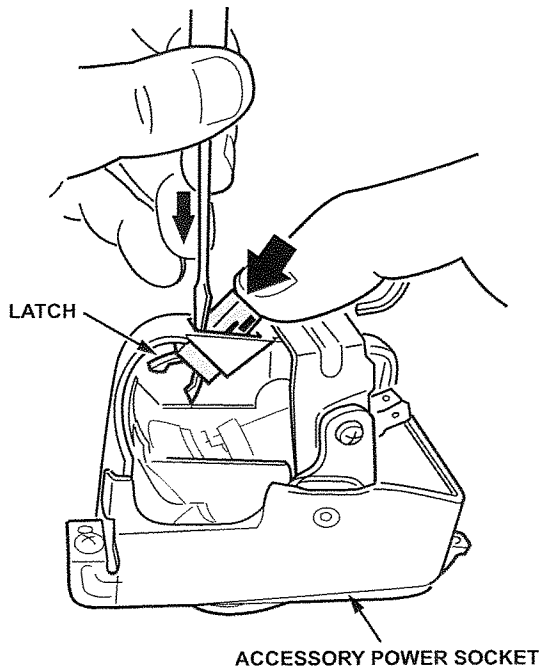
1. Remove the center console panel:
  - Refer to page 20-92 of the *05-08 RL Service Manual, Volume 2*, or
  - Online, enter keyword **CONSOLES**, and select **Center Console Removal/Installation** from the list.



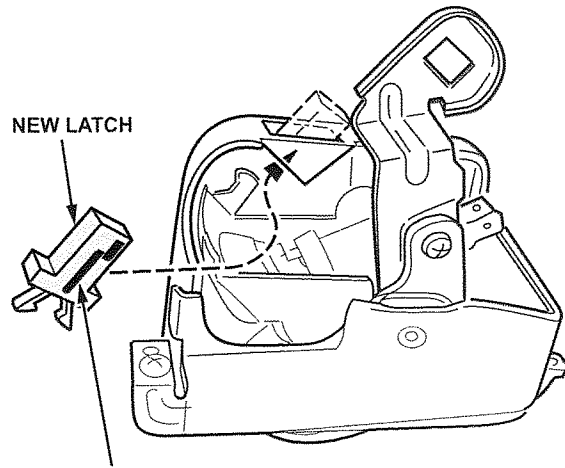
2. Remove the accessory power socket from the center console panel.



3. Remove the latch from the accessory power socket.



4. Insert a new latch into the accessory power socket.



Make sure the slotted side of the latch is facing the open side of the power socket.

5. Reinstall the accessory power socket on the center console panel.
6. Reinstall the center console panel.