

## 2005-08 ACCESSORIES AND EQUIPMENT

## Bumpers - RL

## FRONT BUMPER REMOVAL/INSTALLATION

## Special Tools Required

Push pin puller 07AAC-SJAA100

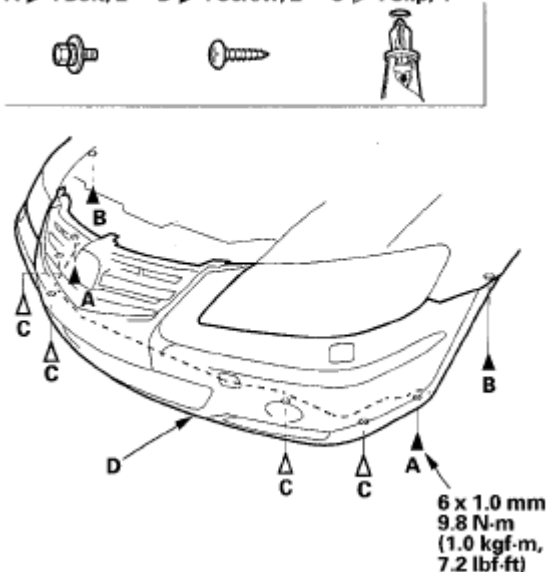
**NOTE:**

- Have an assistant help you when removing and installing the front bumper.
- Take care not to scratch the front bumper and body.
- Put on gloves to protect your hands.

1. Remove these items:
  - Front air spoiler (see **FRONT AIR SPOILER REPLACEMENT**)
  - Upper grille cover (see **UPPER GRILLE COVER REPLACEMENT**)
2. Remove the bolts (A), screws (B), and clips (C) securing the front bumper (D).

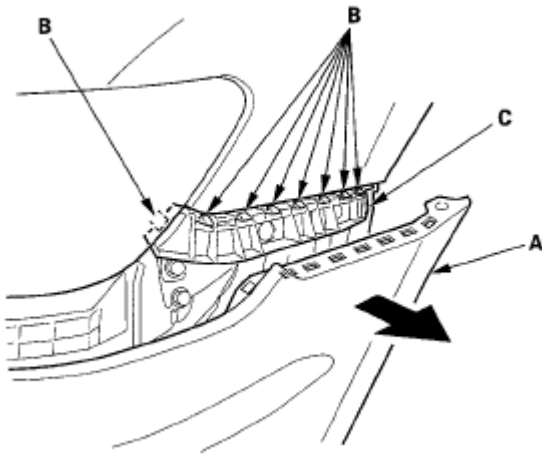
**Fastener Locations**

A ▶ : Bolt, 2    B ▶ : Screw, 2    C ▶ : Clip, 4



**Fig. 1: Identifying Front Bumper And Fasteners With Torque Specifications**  
Courtesy of AMERICAN HONDA MOTOR CO., INC.

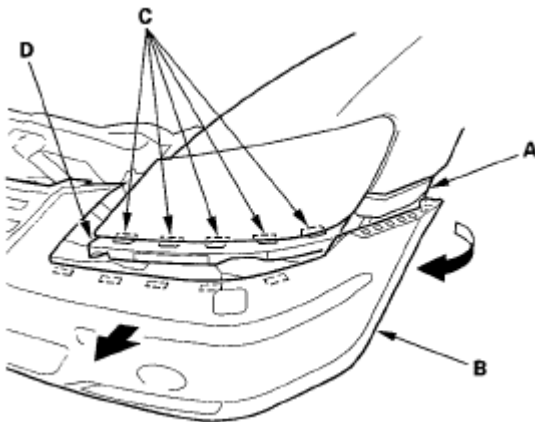
3. Pull on the front bumper (A) at the wheel arch areas to release it from the hooks (B) on the side spacers (C).



**Fig. 2: Pulling Front Bumper**

Courtesy of AMERICAN HONDA MOTOR CO., INC.

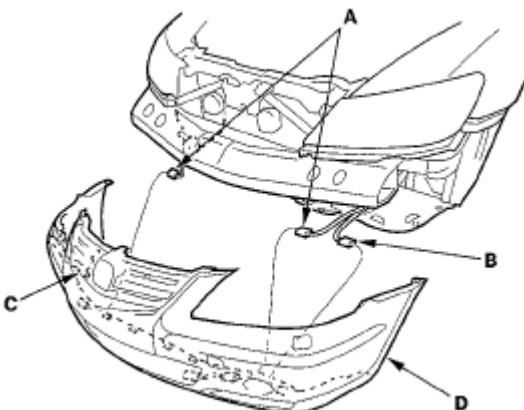
4. With the help of an assistant, pull the wheel arch portion away from the side spacer (A) while pulling the front bumper (B) to release the bumper from the hooks (C) on the corner upper beam (D).



**Fig. 3: Pulling Side Spacer, Front Bumper And Hooks**

Courtesy of AMERICAN HONDA MOTOR CO., INC.

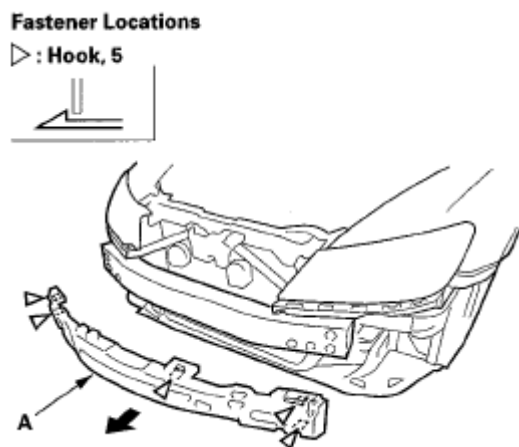
5. Disconnect the front fog light connectors (A), outside temperature sensor connector (B), and headlight washer tube (C), then remove the front bumper (D).



**Fig. 4: Identifying Front Fog Light Connectors, Outside Temperature Sensor Connector And Headlight Washer Tube**

Courtesy of AMERICAN HONDA MOTOR CO., INC.

6. Release the hooks, then remove the front bumper absorber (A).



**Fig. 5: Identifying Front Bumper Absorber**

Courtesy of AMERICAN HONDA MOTOR CO., INC.

7. Install the bumper in the reverse order of removal, and note these items:
- Make sure the front fog light connectors and outside temperature sensor connector are plugged in properly, and the headlight washer tube is connected properly.
  - Make sure the front bumper engages the hooks (of both corner upper beams and side spacers) on each side securely.
  - Check if the clips are damaged or stress-whitened, and if necessary, replace them with new ones.
  - Push the clips and hooks into place securely.

## LOWER FRONT BUMPER PLATE REPLACEMENT

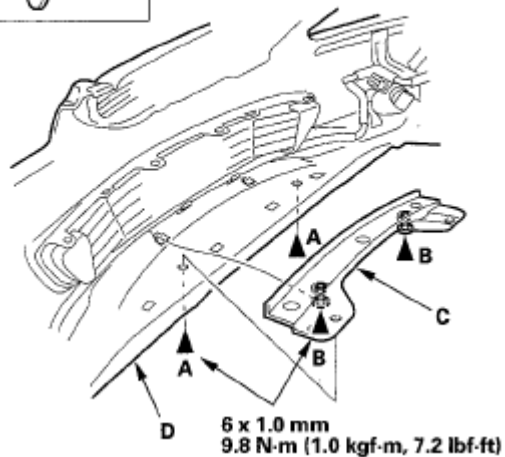
**NOTE:**

- Take care not to scratch the front bumper.
- Put on gloves to protect your hands.

1. Remove the front bumper (see **FRONT BUMPER REMOVAL/INSTALLATION** ).
2. Remove the bolts (A) and loosen the bolts (B), then remove the front bumper lower plate (C) from the front bumper (D).

**Fastener Locations**

A, B ► : Bolt, 4



**Fig. 6: Identifying Front Bumper Lower Plate, Front Bumper And Fasteners With Torque Specifications**

Courtesy of AMERICAN HONDA MOTOR CO., INC.

3. Install the plate in the reverse order of removal.

## FRONT AIR SPOILER REPLACEMENT

### Special Tools Required

Push pin puller 07AAC-SJAA100

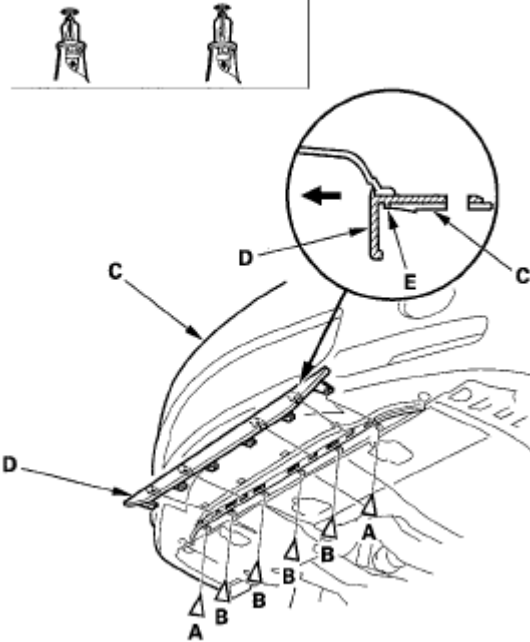
### NOTE:

- Take care not to scratch the front bumper.
- Put on gloves to protect your hands.

1. Remove the clips (A, B) from under the front bumper (C).

## Fastener Locations

A ▷ : Clip, 2    B ▷ : Clip, 4



**Fig. 7: Identifying Front Bumper And Clips**  
 Courtesy of AMERICAN HONDA MOTOR CO., INC.

2. Pull the front air spoiler (D) out to release the hooks (E), then remove the spoiler.
3. Install the spoiler in the reverse order of removal.

**NOTE:** Check if the clips are damaged or stress-whitened, and if necessary, replace them with new ones.

## FRONT BUMPER PROTECTOR REPLACEMENT

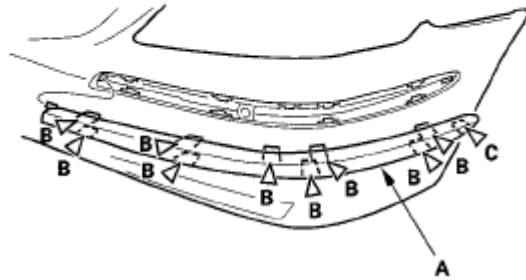
**NOTE:**

- Take care not to scratch the front bumper.
- Put on gloves to protect your hands.

1. Remove the front bumper (see **FRONT BUMPER REMOVAL/INSTALLATION**).
2. Remove the front bumper protector (A) by releasing the hooks (B) and clip (C).

**Fastener Locations**

B ▷ : Hook, 9    C ▷ : Clip, 1



**Fig. 8: Identifying Front Bumper Protector, Hooks And Clip**  
 Courtesy of AMERICAN HONDA MOTOR CO., INC.

3. Install the front bumper protector in the reverse order of removal, and note these items:
  - Check if the clips is damaged or stress-whitened, and if necessary, replace it with a new one.
  - Push the hooks and clips into place securely.

## LOWER GRILLE REPLACEMENT

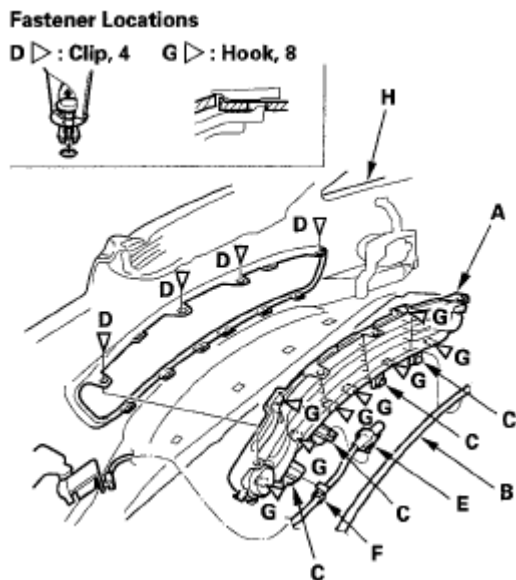
### Special Tools Required

Push pin puller 07AAC-SJAA100

#### NOTE:

- Take care not to scratch the front bumper.
- Put on gloves to protect your hands.

1. Remove the front bumper (see **FRONT BUMPER REMOVAL/INSTALLATION** ).
2. Remove the lower grille (A).
  1. Release the headlight washer tube (B) from the hooks (C) on the lower grille.
  2. Detach the clips (D) from the front bumper.
  3. Remove the outside temperature sensor clip (E) and wire clip (F) from the lower grille.
  4. Release all of the hooks (G), and then remove the lower grille from the bumper (H) by lifting it up.



**Fig. 9: Identifying Lower Grille Clips And Hooks**  
 Courtesy of AMERICAN HONDA MOTOR CO., INC.

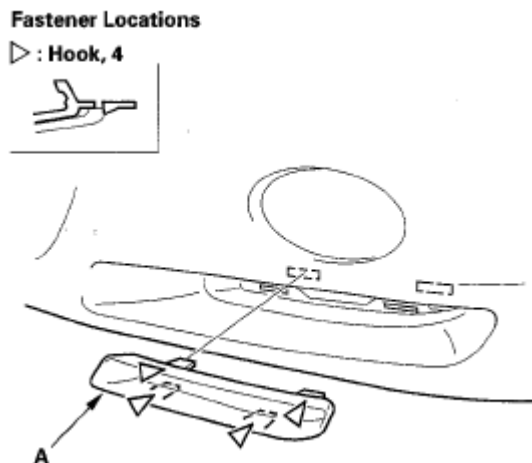
3. Install the front bumper lower grille in the reverse order of removal. Push the hooks into place securely.

## FRONT BUMPER DUCT TRIM REPLACEMENT

### NOTE:

- Take care not to scratch the front bumper.
- Put on gloves to protect your hands.

1. Remove the front bumper (see **FRONT BUMPER REMOVAL/INSTALLATION**).
2. Remove the front bumper duct trim (A) by releasing the hooks.



**Fig. 10: Identifying Front Bumper Duct Trim**  
 Courtesy of AMERICAN HONDA MOTOR CO., INC.

3. Install the front bumper duct trim in the reverse order of removal, push the hooks into place securely.

## REAR BUMPER REMOVAL/INSTALLATION

### Special Tools Required

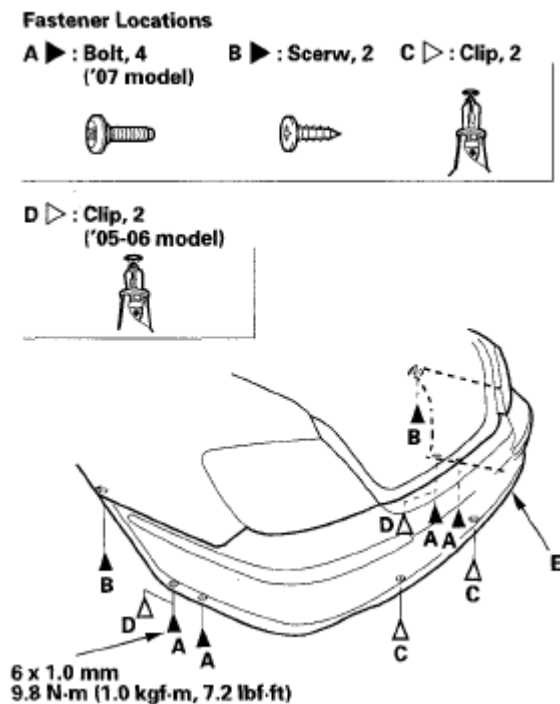
- KTC trim tool set SOJATP2014 \*
- Push pin puller 07AAC-SJAA100

\* Available through the American Honda Tool and Equipment Program; call 888-424-6857

### NOTE:

- Have an assistant help you when removing and installing the rear bumper.
- Take care not to scratch the rear bumper and body.
- Put on gloves to protect your hands.
- Use the appropriate tool from the KTC trim tool set to avoid damage when prying components.

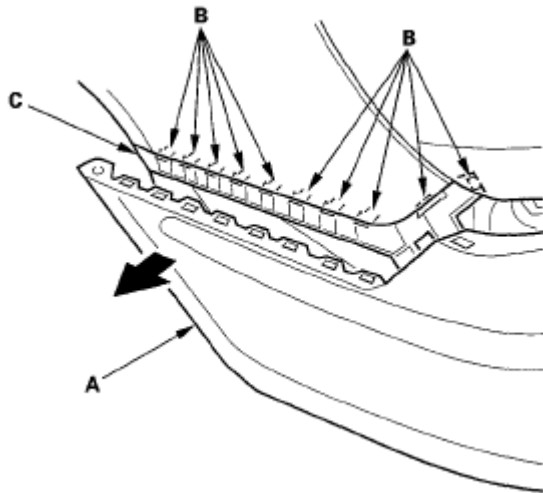
1. Remove the bolts (A), screws (B), and clips (C, D) securing the rear bumper (E).



**Fig. 11: Identifying Rear Bumper And Fasteners With Torque Specifications**  
Courtesy of AMERICAN HONDA MOTOR CO., INC.

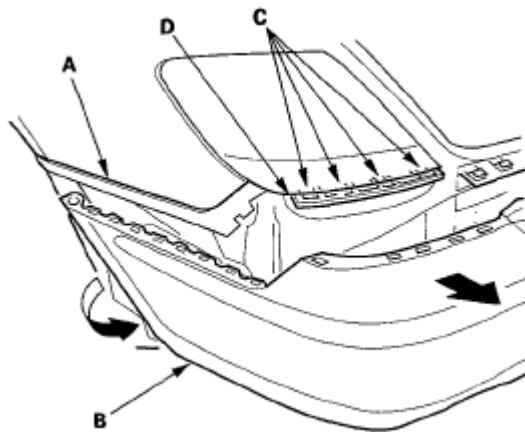
2. Pull on the rear bumper (A) at the wheel arch areas to release it from the hooks (B) on the side spacers (C).





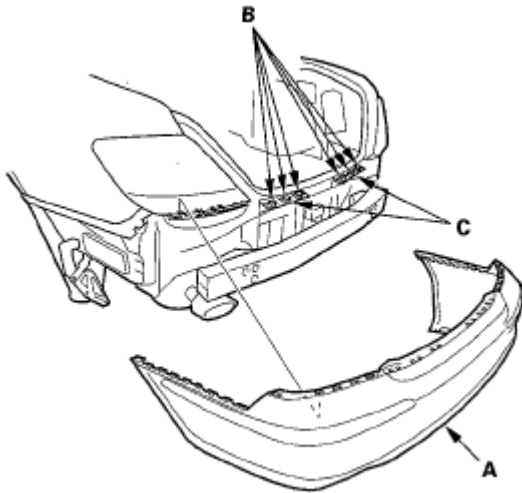
**Fig. 12: Pulling Rear Bumper From Side Spacers**  
 Courtesy of AMERICAN HONDA MOTOR CO., INC.

3. With the help of an assistant, pull the wheel arch portion away from the side spacer (A), while pulling the rear bumper (B) to release the bumper from the hooks (C) on the side bracket (D).



**Fig. 13: Pulling Rear Bumper From Hooks On Side Bracket**  
 Courtesy of AMERICAN HONDA MOTOR CO., INC.

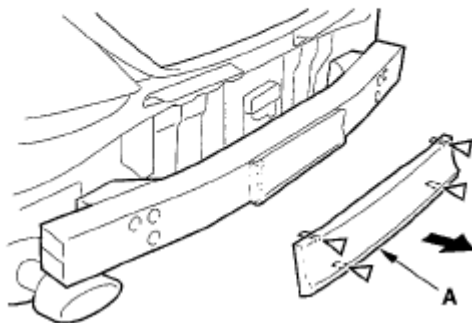
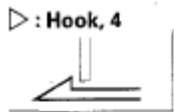
4. With the help of an assistant, pull the rear bumper (A) to release the bumper from the hooks (B) on both upper brackets (C).



**Fig. 14: Identifying Rear Bumper, Hooks And Upper Brackets**  
 Courtesy of AMERICAN HONDA MOTOR CO., INC.

5. Release the hooks, then remove the rear bumper absorber (A).

**Fastener Locations**



**Fig. 15: Removing Rear Bumper Absorber**  
 Courtesy of AMERICAN HONDA MOTOR CO., INC.

6. Install the bumper in the reverse order of removal, and note these items:
  - Make sure the rear bumper engages the hooks (of both upper bracket, side bracket, and side spacers) on each side securely.
  - Check if the clips are damaged or stress-whitened, and if necessary, replace them with new ones.
  - Push the clips and hooks into place securely.

## REAR BUMPER PROTECTOR REPLACEMENT

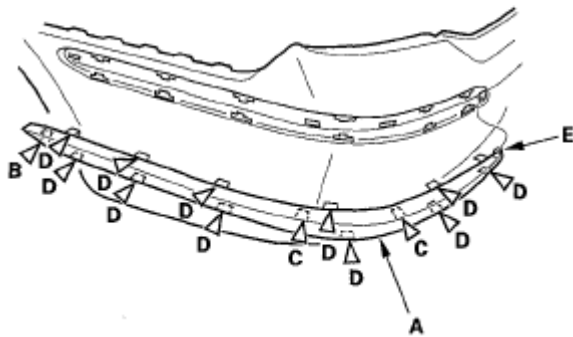
**NOTE:**

- Take care not to scratch the rear bumper.
- Put on gloves to protect your hands.

1. Remove the rear bumper (see **REAR BUMPER REMOVAL/INSTALLATION** ).
2. Remove the rear bumper protector (A) by releasing the clips (B, C) and hooks (D, E).

**Fastener Locations**

B ▷ : Clip, 1    C ▷ : Clip, 2    D ▷ : Hook, 11



**Fig. 16: Identifying Rear Bumper Protector, Clips And Hooks**  
 Courtesy of AMERICAN HONDA MOTOR CO., INC.

3. Install the rear bumper protector in the reverse order of removal, and note these items:
  - Check if the clips are damaged or stress-whitened, and if necessary, replace them with new ones.
  - Push the hooks and clips into place securely.