

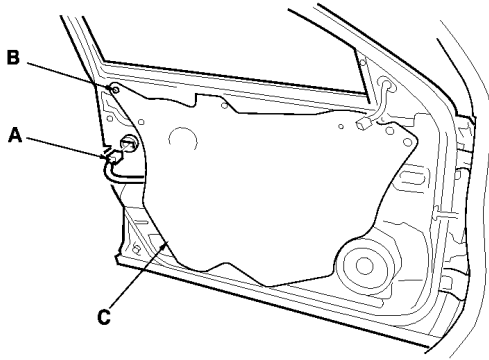


Close

2005 RL - Front Door Outer Handle Replacement

NOTE: Put on gloves to protect your hands.

1. Raise the glass fully.
2. Remove the door panel.
3. Disconnect the latch actuator connector (A) and remove the cap (B), and then remove the plastic cover (C) as needed.



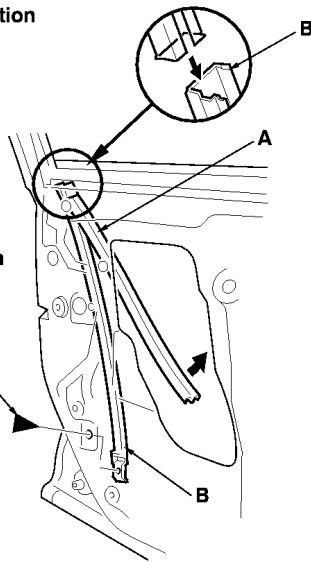
4. Pull the glass run channel (A) away as needed, and remove the bolt, then remove the center lower channel (B) by pulling it downward.

Fastener Location

► : Bolt, 1

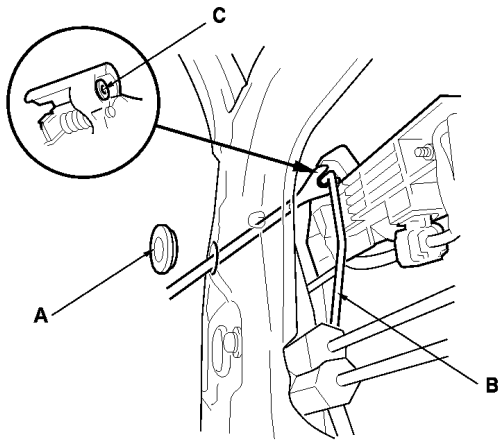


6 x 1.0 mm
8 N·m
(0.8 kgf·m,
6 lbf·ft)

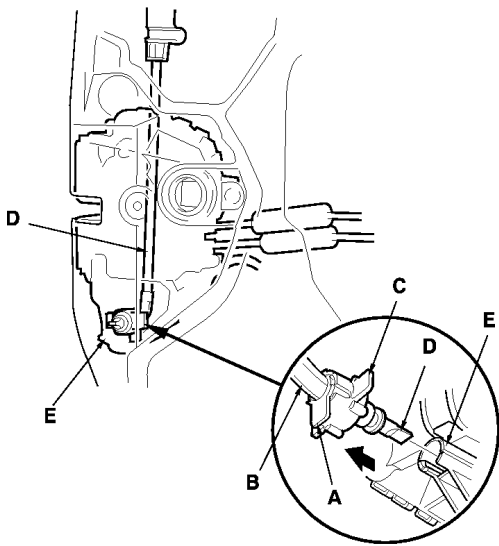


5. Remove the access cap (A). Using a clip remover, disconnect the outer handle rod (B) from the outer handle.
6. Replace the bushing (C) with a new one on the outer handle.

NOTE: Do not reuse the bushing when you disconnect the outer handle rod.



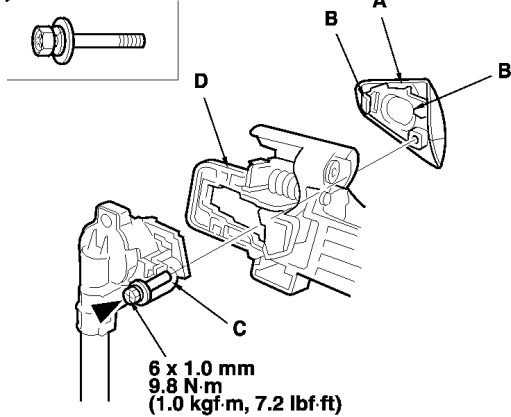
7. Driver's door: While holding the flange portion (A) of the outer casing cover (B), pull out the retainer (C), and pull the lock cylinder cable (D) away from the latch actuator (E).



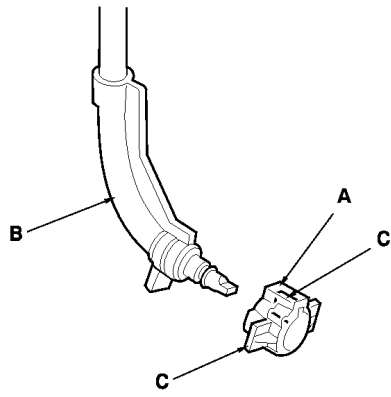
8. While holding the outer handle cover (A) from outside of the door, loosen the bolt, and then release the hooks (B) of the outer handle cover, then remove the cover and the lock cylinder (C) (driver's door) or the outer handle holder (passenger's door) from the outer handle base (D).

Fastener Location

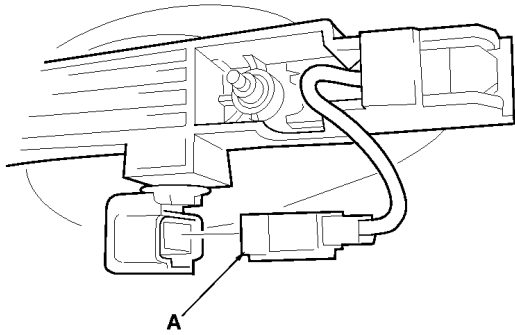
► : Bolt, 1



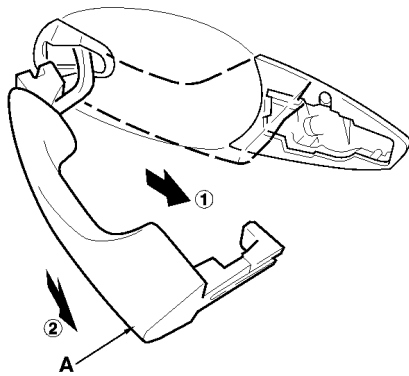
9. If the retainer (A) of the lock cylinder cable (B) is damaged, release the hooks (C), then replace it.



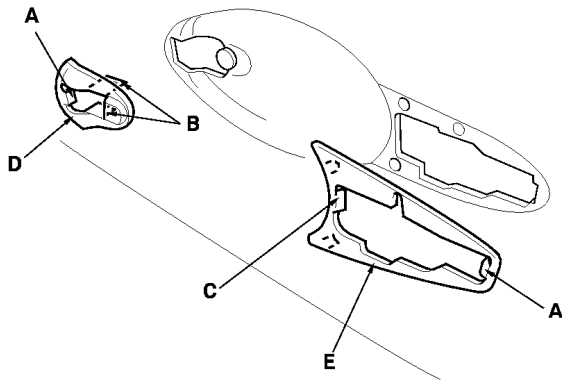
10. Disconnect the outer handle light connector (A).



11. Pull the outer handle (A) out, and back as shown to remove it from the door. Take care not to scratch the door.



12. Release the hooks (A, B, C), then remove the outer handle front seal (D) and the outer handle rear seal (E).



13. Remove the outer handle base (A).

- Loosen the nut.

1

- Release the tab (B), and slide the outer handle base forward to release the special bolt (C) from the door panel.

2

- Detach the connector clip (D) and harness clip (E) from the outer handle base.

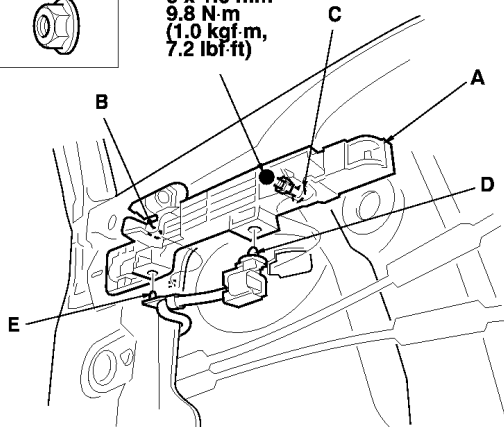
3

Fastener Location

● : Nut, 1



6 x 1.0 mm
9.8 N·m
(1.0 kgf·m,
7.2 lbf·ft)



14. Remove the joint bushing (A) from the outer handle (B), then replace it with a new one.

15. Install the handle in the reverse order of removal, and note these items:

- Reinstall the lock cylinder (driver's door) or the outer handle holder (passenger's door) before installing the outer handle cover.
- Make sure the outer handle light connector is plugged in properly, and the outer handle rod and the lock cylinder cable (driver's door) are connected securely.
- Make sure the door lock cylinder/door locks operate properly (driver's door).
- Make sure the door handle works properly.
- When reinstalling the door panel, make sure the plastic cover is installed properly and sealed around its outside perimeter to seal out water.

