

POWER DISTRIBUTION 2016-2018

Fig 1: Power Distribution Circuit (1 of 6)

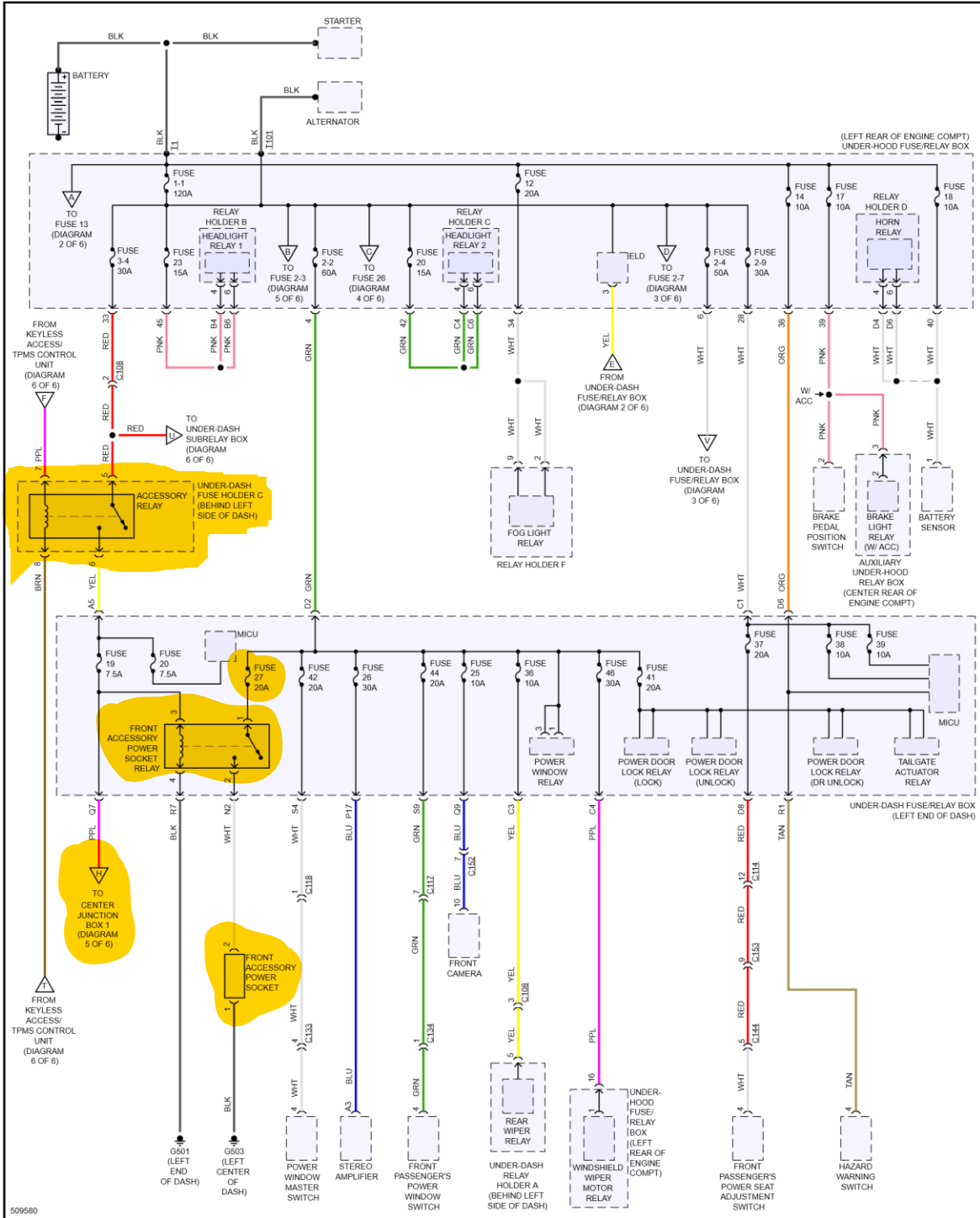


Fig 2: Power Distribution Circuit (2 of 6)

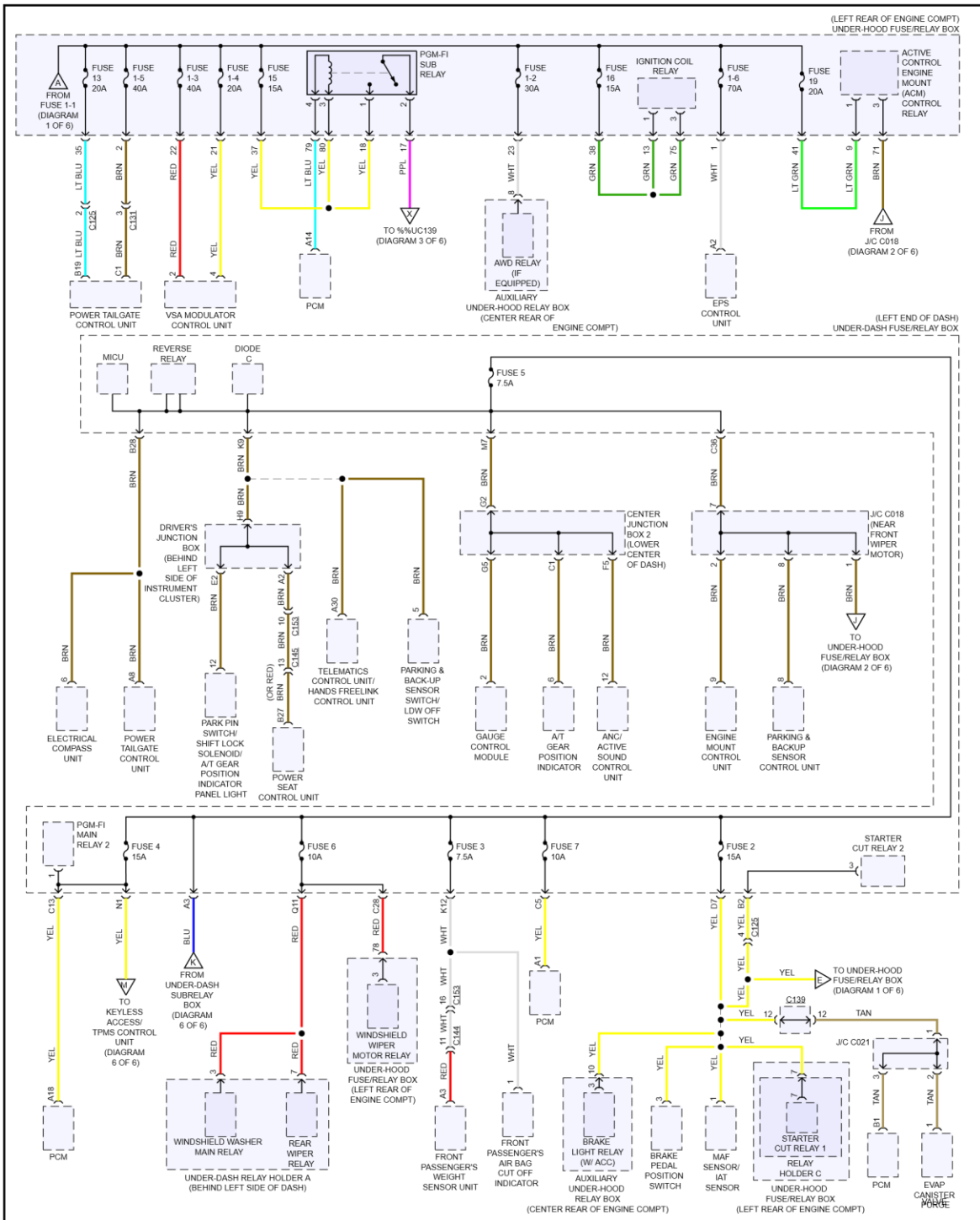


Fig 3: Power Distribution Circuit (3 of 6)

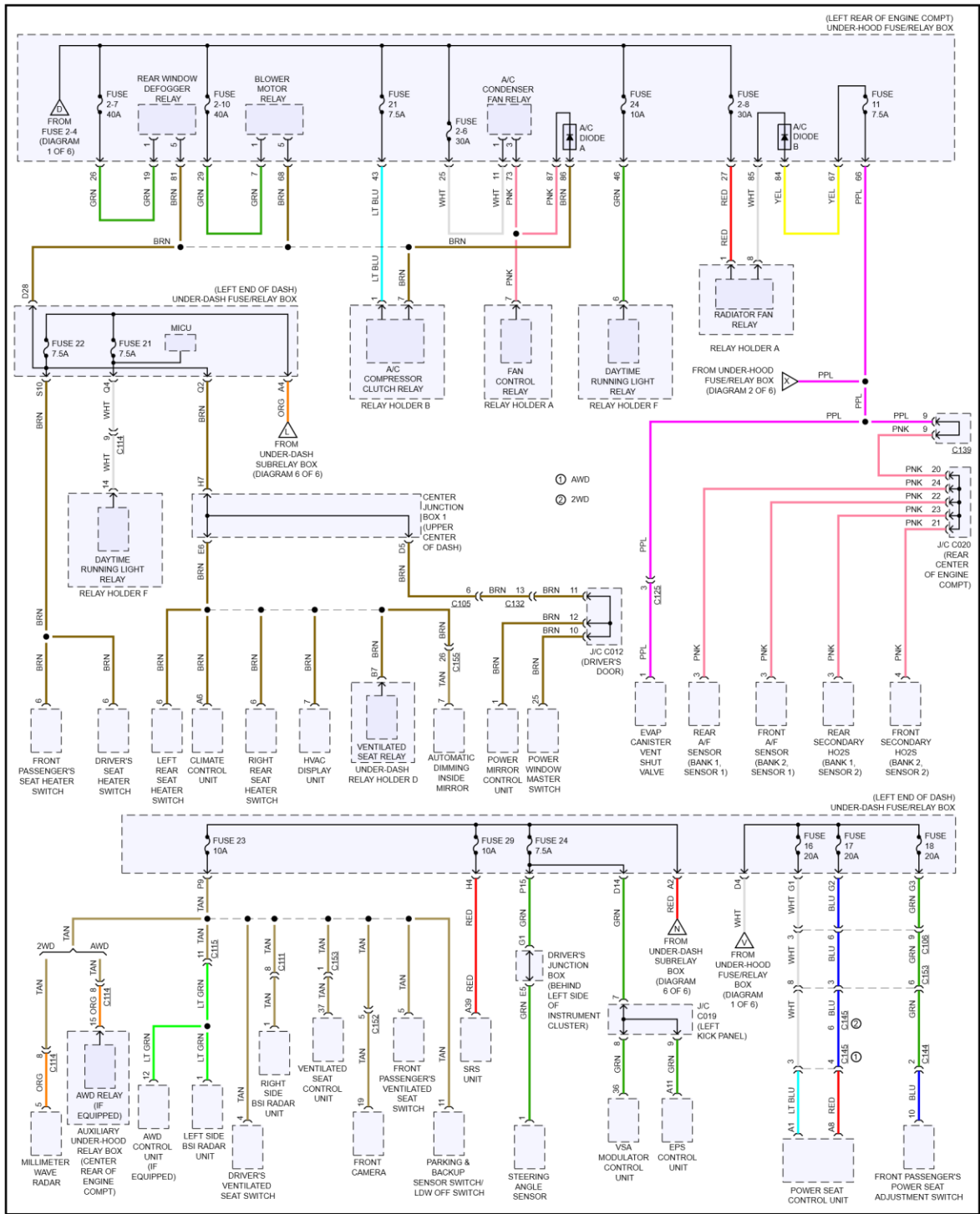


Fig 4: Power Distribution Circuit (4 of 6)

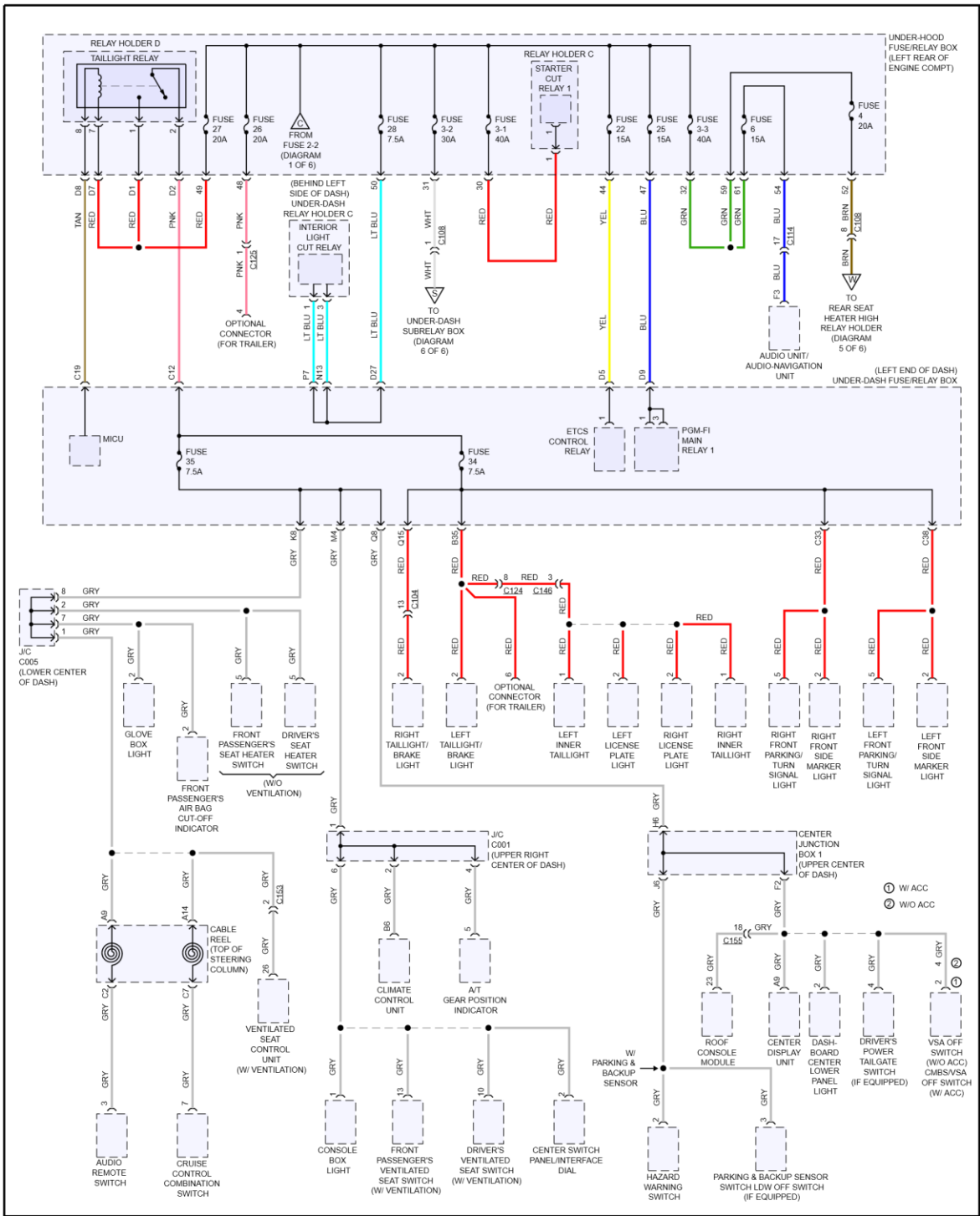


Fig 5: Power Distribution Circuit (5 of 6)

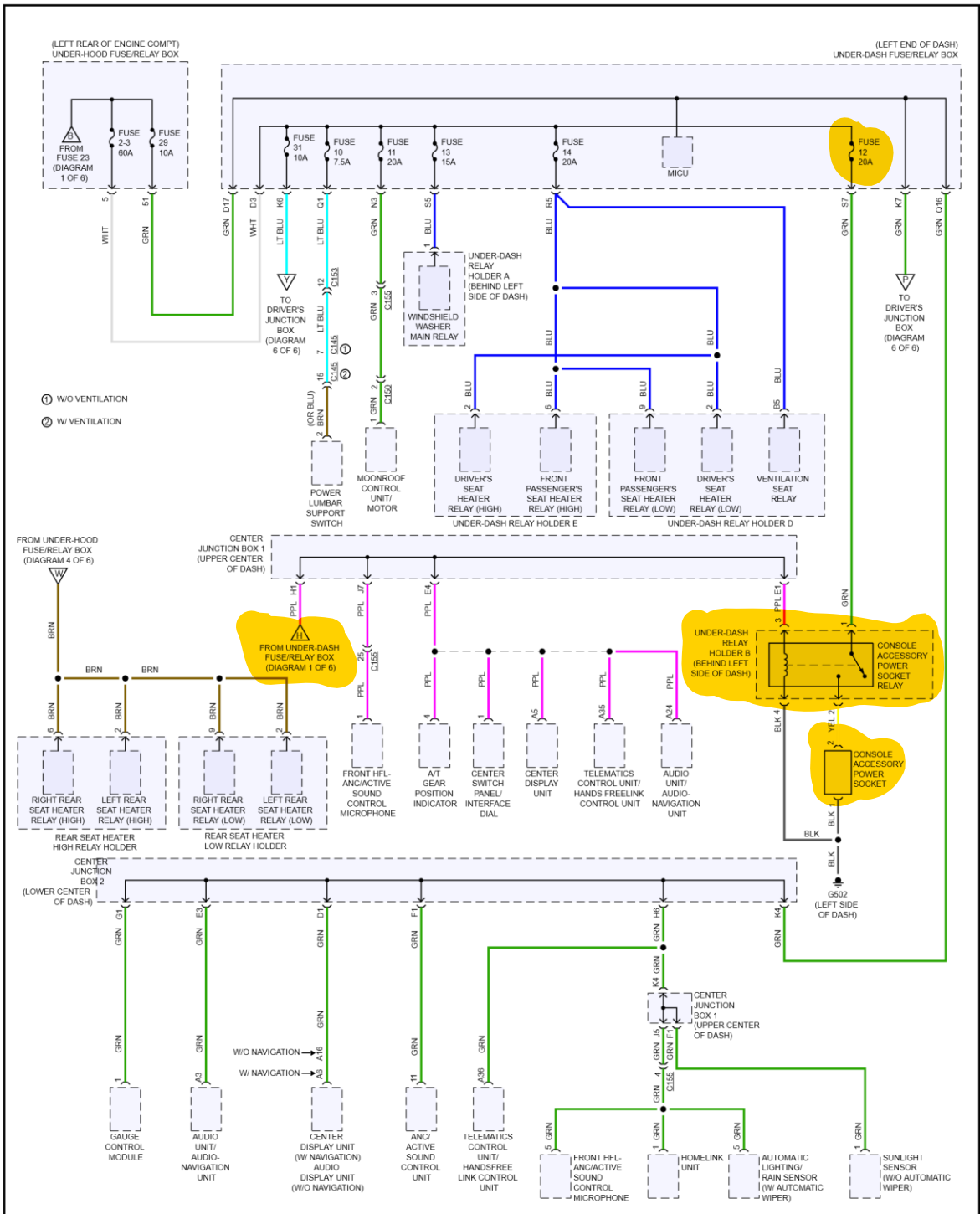


Fig 6: Power Distribution Circuit (6 of 6)

