

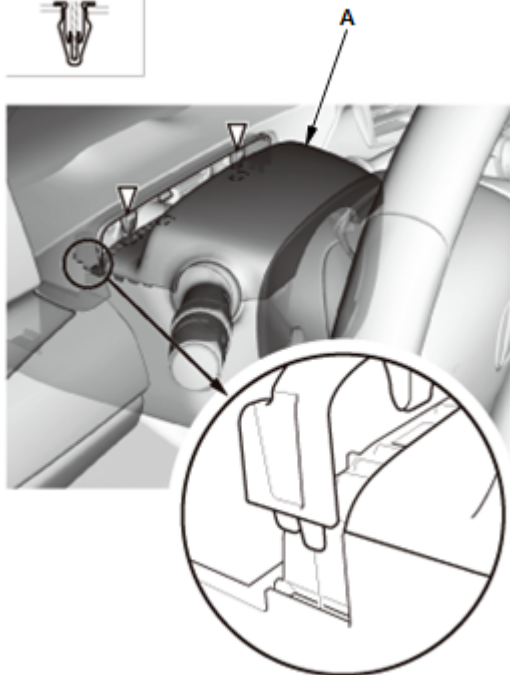
Steering Column Cover Removal and Installation

Removal

1. Upper Column Cover - Remove

Fastener Locations

▷ : 2

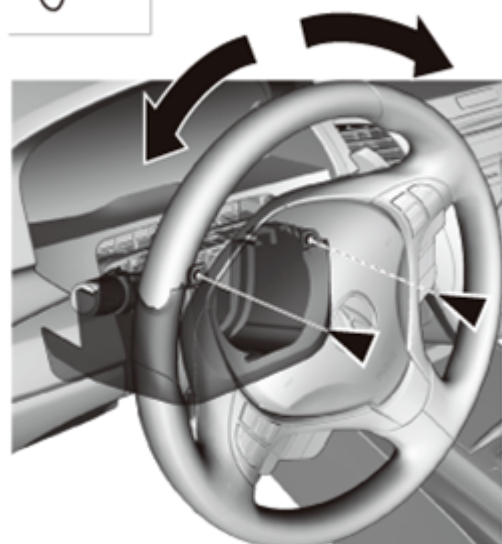


1. Adjust the steering column to the full tilt down position, and to the full telescopic out position.
2. Remove the upper column cover (A).

2. Lower Column Cover - Remove

Fastener Locations

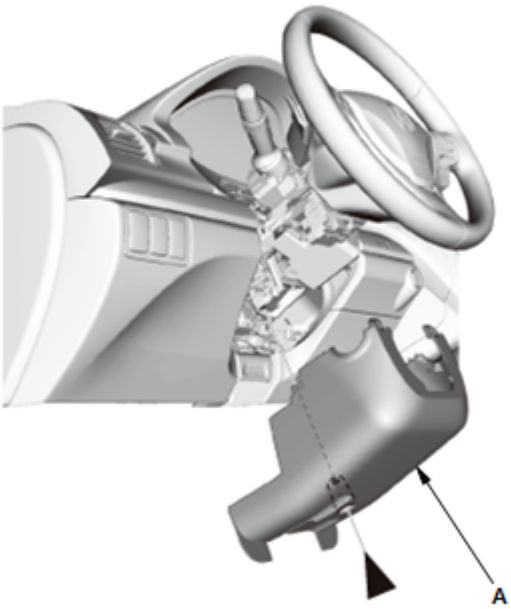
A ▶ : 2



1. Remove the screws (A).

Fastener Location

▶ : 1



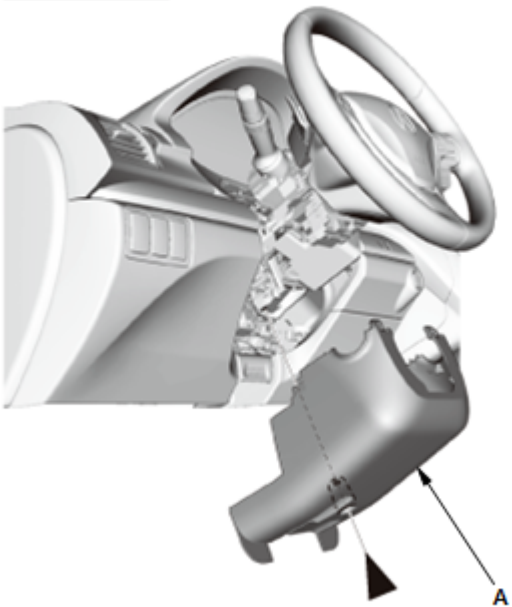
2. Remove the lower column cover (A).

Installation

1. Lower Column Cover - Install

Fastener Location

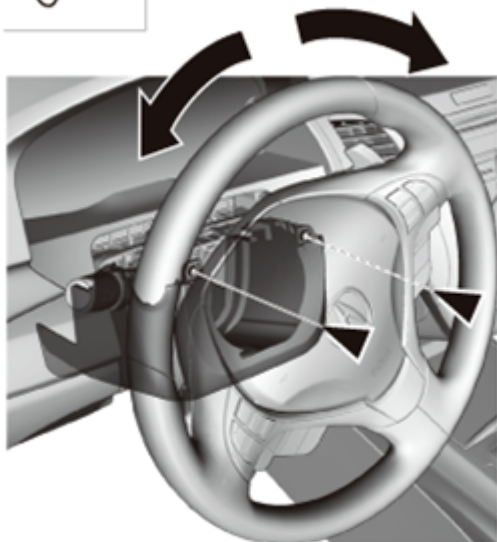
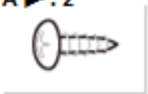
▶ : 1



1. Install the lower column cover (A).

Fastener Locations

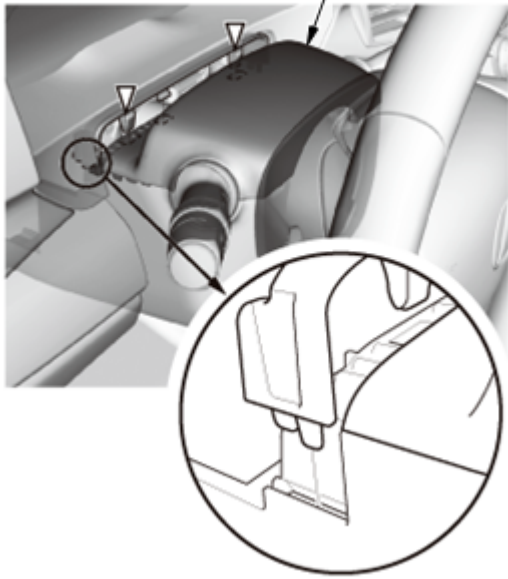
A ▶ : 2



2. Install the screws (A).

Fastener Locations

▽ : 2



1. Install the upper column cover (A).