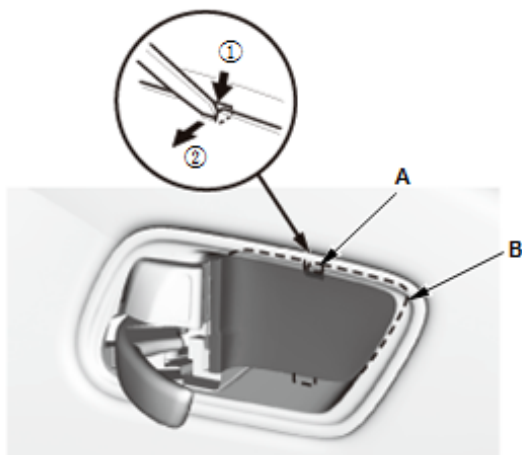


## Rear Door Panel Removal and Installation

### Removal

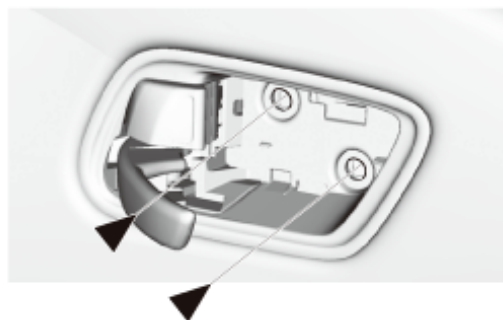
#### 1. Rear Door Panel - Remove



1. Push on the upper hook (A) with the appropriate trim tool, then pull back the inner handle cap (B) to remove it.

#### Fastener Locations

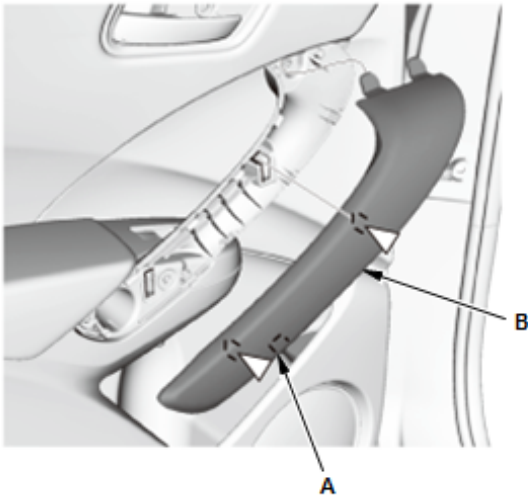
A ▶ : 2



2. Remove the screws (A) securing the rear door inner handle.

**Fastener Locations**

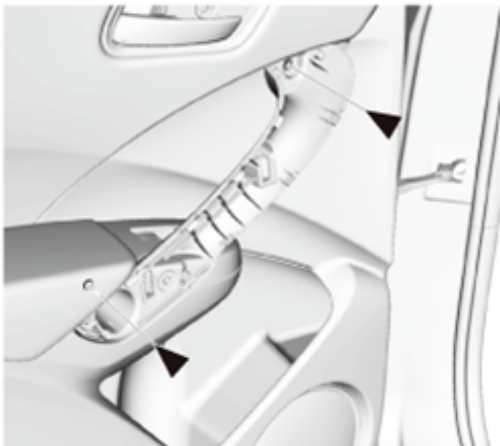
▷ : 2



3. Insert a small flat-tip screwdriver into the notch (A), and remove the grip cover (B).

**Fastener Locations**

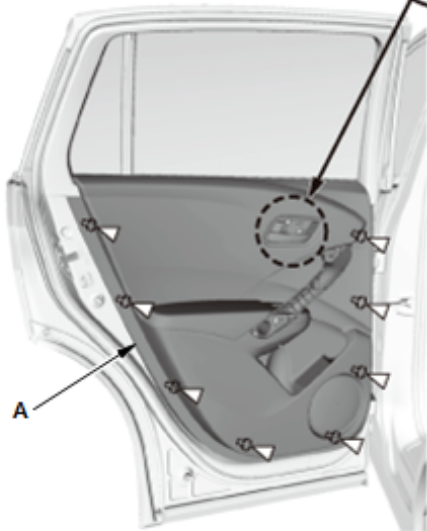
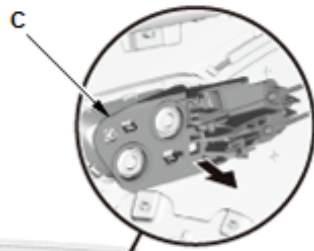
A ▶ : 2



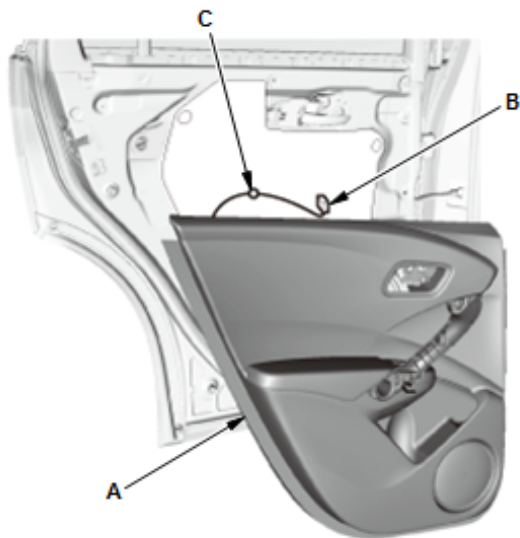
4. Remove the screws (A).

**Fastener Locations**

B ▷ : 8



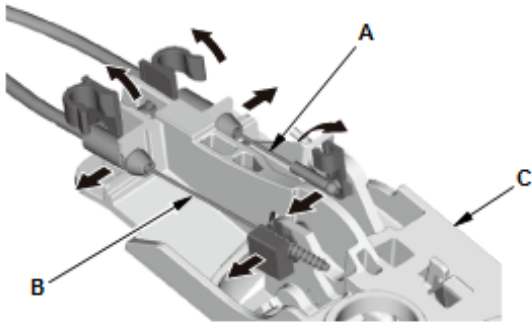
5. Start at the bottom edge of the rear door panel (A), remove the clips (B) with a commercially available trim pad remover.
6. Starting at the rear, pull the door panel upward.
7. Release the inner handle (C) from the inside of the rear door panel.



8. While holding the rear door panel (A) away from the door, disconnect the power window switch connector (B), and remove the harness clip (C).

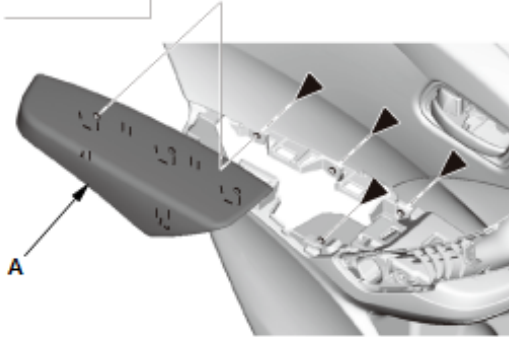
**2. Rear Door Inner handle - Remove**

1. Disconnect the inner handle cable (A) and the latch cable (B) from the inner handle (C), then remove the handle.



### 3. Rear Door Armrest - Remove

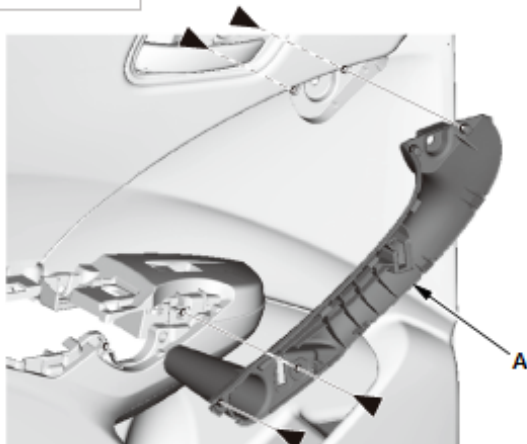
#### Fastener Locations



1. Remove the rear door armrest (A).

### 4. Power Window Switch Panel - Remove

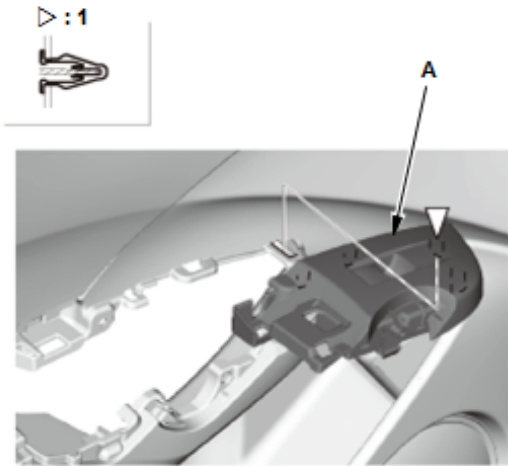
#### Fastener Locations



1. Remove the grip base (A).

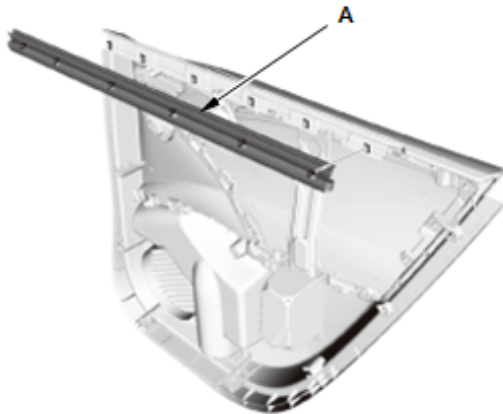


**Fastener Location**



2. Remove the power window switch panel (A).

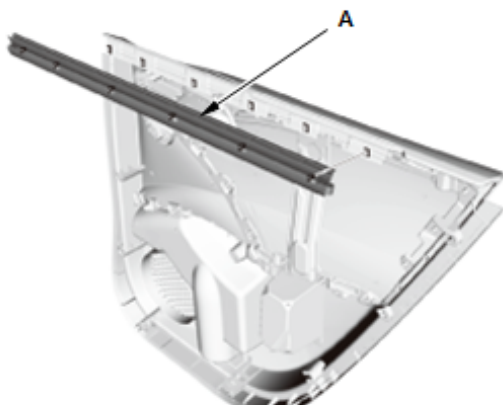
**5. Rear Door Inner Weatherstrip - Remove**



1. Remove the rear door inner weatherstrip (A).

**Installation**

**1. Rear Door Inner Weatherstrip - Install**

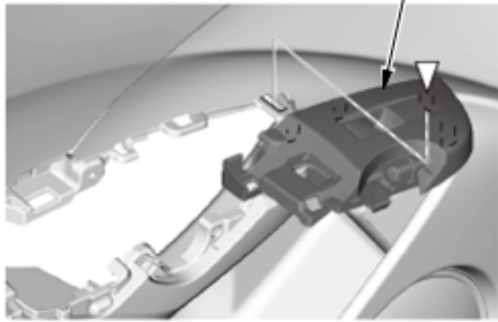


1. Install the rear door inner weatherstrip (A).

**2. Power Window Switch Panel - Install**

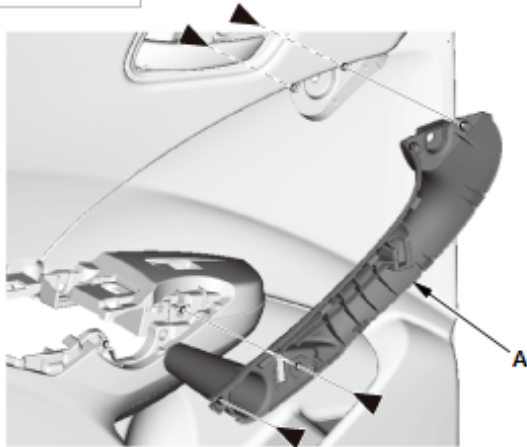


**Fastener Location**



1. Install the power window switch panel (A).

**Fastener Locations**



2. Install the grip base (A).

**3. Rear Door Armrest - Install**





1. Install the rear door armrest (A).

#### 4. Rear Door Inner handle - Install



1. Connect the inner handle cable (A) and the latch cable (B) to the inner handle (C), and install the handle.

NOTE: If the latch cable and the inner handle cable are damaged or stress-whitened, replace them with new ones.

#### 5. Rear Door Panel - Install



1. While holding the rear door panel (A), connect the power window switch connector (B) and install the harness clip (C).

**Fastener Locations**



A



2. Set the inner handle (A) to the inside of the rear door panel (B).

3. Install the rear door panel.

---

4. Install the screws (A).

---

5. Install the grip cover (A).

---

6. Install the screws (A) securing the rear door inner handle (B).

---

7. Install the inner handle cap (A).