

Front Door Panel Removal and Installation

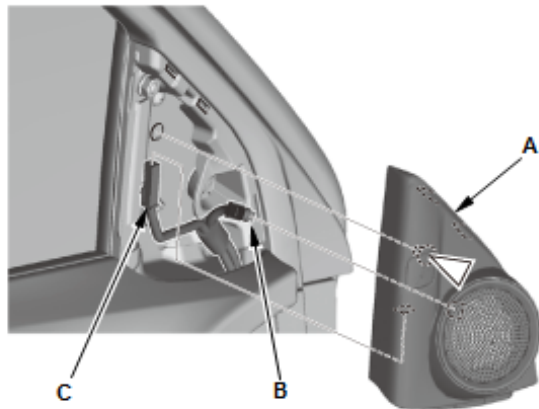
Removal/Installation

NOTE: If you replace the power window master switch or the front passenger's power window switch, [reset the power window control unit](#).

1. Tweeter Cover - Remove

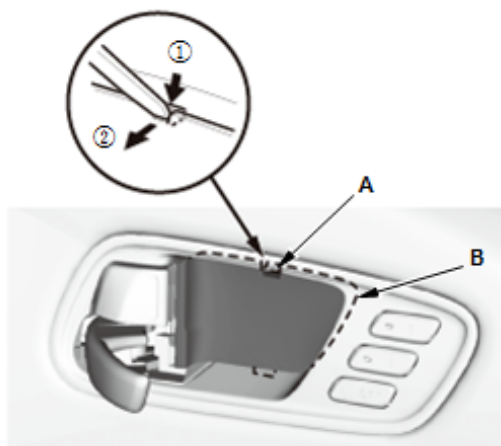
Fastener Location

▷ : 1



1. Remove the tweeter cover (A).
2. Disconnect the connectors (B, C).

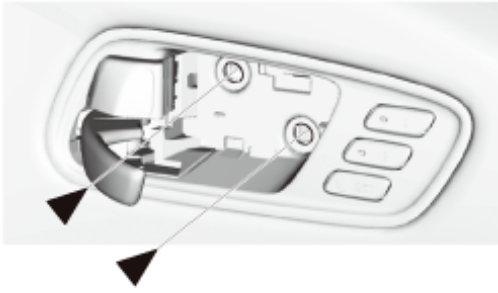
2. Front Door Panel - Remove



1. Push on the upper hook (A) with the appropriate trim tool, then pull back the inner handle cap (B) to remove it.

Fastener Locations

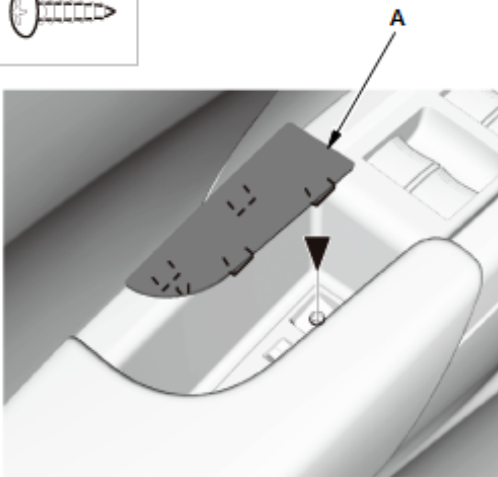
A ▶ : 2



2. Remove the screws (A).

Fastener Location

B ▶ : 1



3. Driver's door: Remove the pull pocket lid (A).

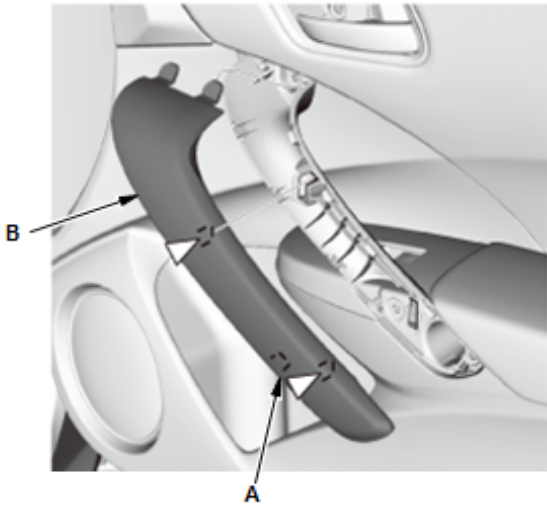
4. Driver's door: Remove the screw (B).

Fastener Locations

▷ : 2



5. Passenger's door: Insert a small flat-tip screwdriver into the notch (A), and remove the grip cover (B).

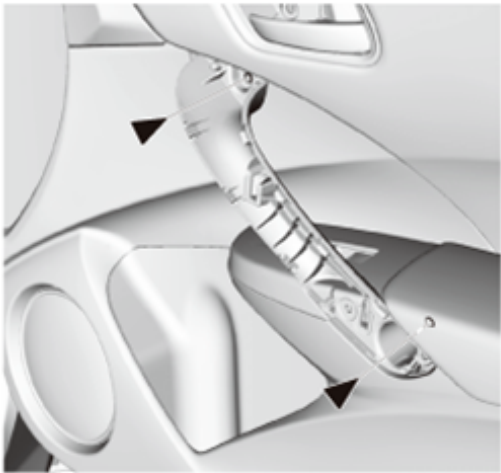


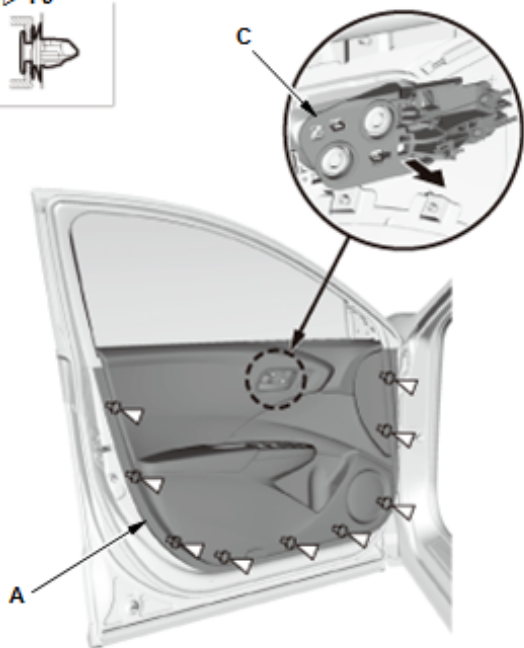
Fastener Locations

A ▶ : 2



6. Passenger's door: Remove the screws (A).

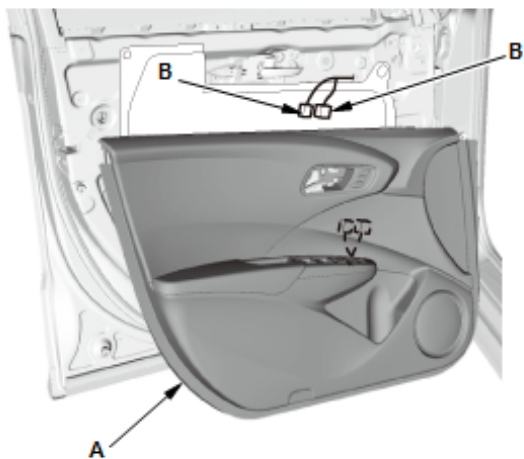


Fastener Locations**B** : 9

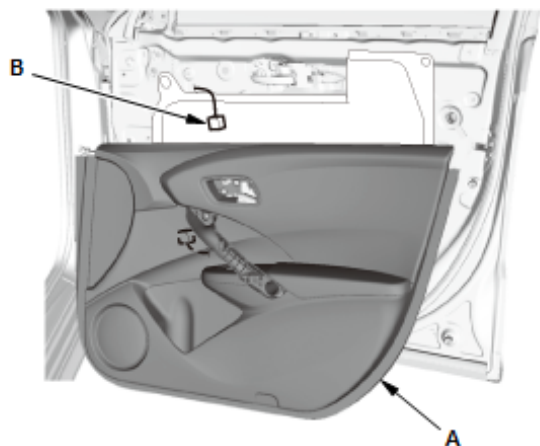
7. Start at the bottom edge of the front door panel (A), remove the clips (B) with a commercially available trim pad remover.
8. Starting at the rear, pull the door panel upward.
9. Release the inner handle (C) from the inside of the front door panel.

Driver's door

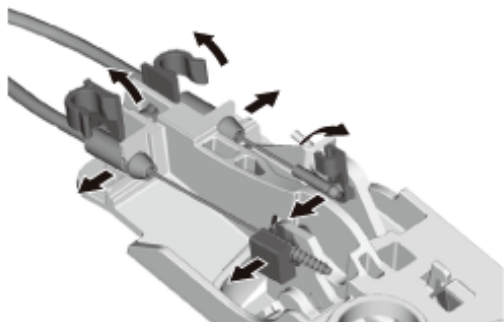
10. While holding the front door panel (A) away from the door, disconnect the connector(s) (B).



Passenger's door



3. Front Door Inner handle - Remove

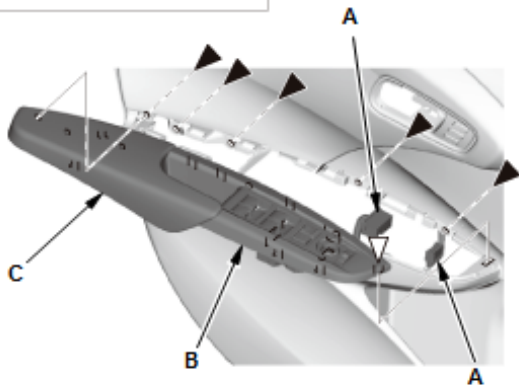


4. Front Door Armrest/Power Window Switch Panel - Remove (Driver's Side)

Fastener Locations

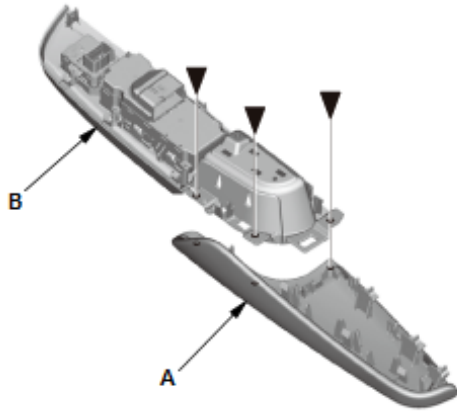


1. Disconnect the connectors (A).
2. Remove the power window switch panel (B) and the front door armrest (C) as an assembly from the door panel.



Fastener Locations

▶ : 3

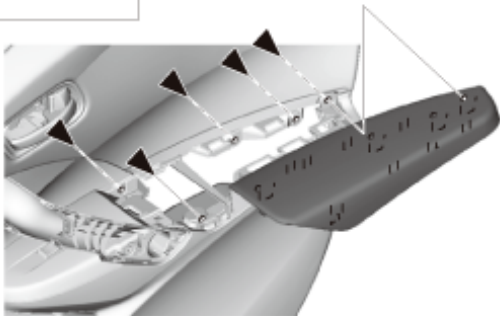


3. Remove the front door armrest (A) from the power window switch panel (B).

5. Front Door Armrest - Remove (Passenger's Side)

Fastener Locations

▶ : 5

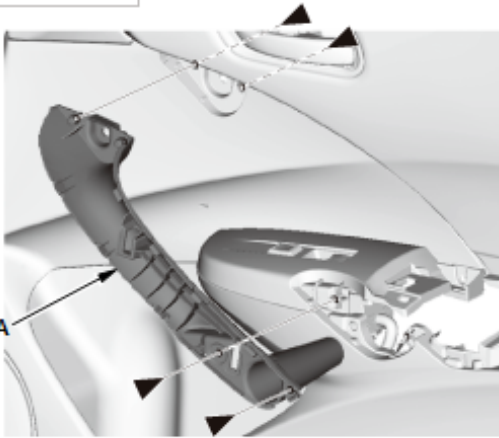


6. Power Window Switch Panel - Remove (Passenger's Side)

1. Remove the grip base (A).

Fastener Locations

▶ : 4

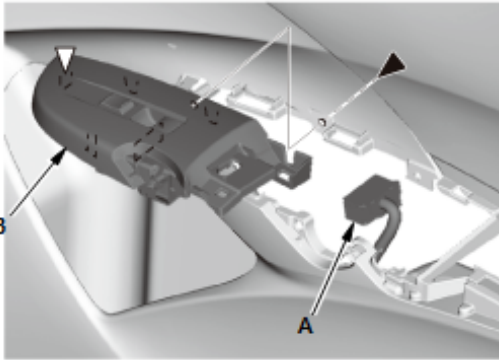


2. Disconnect the connector (A).
3. Remove the power window switch panel (B).

Fastener Locations

▶ : 1

▷ : 1



7. Front Door Inner Weatherstrip - Remove



8. All Removed Parts - Install

1. Install the parts in the reverse order of removal.