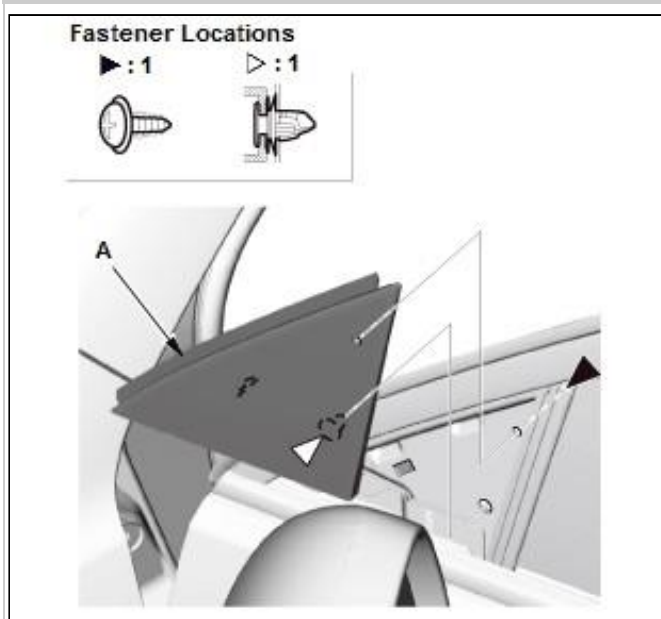


## REMOVAL & INSTALLATION > FRONT DOOR CORNER OUTER TRIM REMOVAL AND INSTALLATION (2013-18) > REMOVAL

### 1. Tweeter Cover - Remove

1. Remove the tweeter cover - Refer to: Front Door Panel Removal and Installation (2013-18), or Front Door Panel Removal and Installation(With BSI Alert Indicator) (2016-18) .

### 2. Front Door Corner Outer Trim - Remove



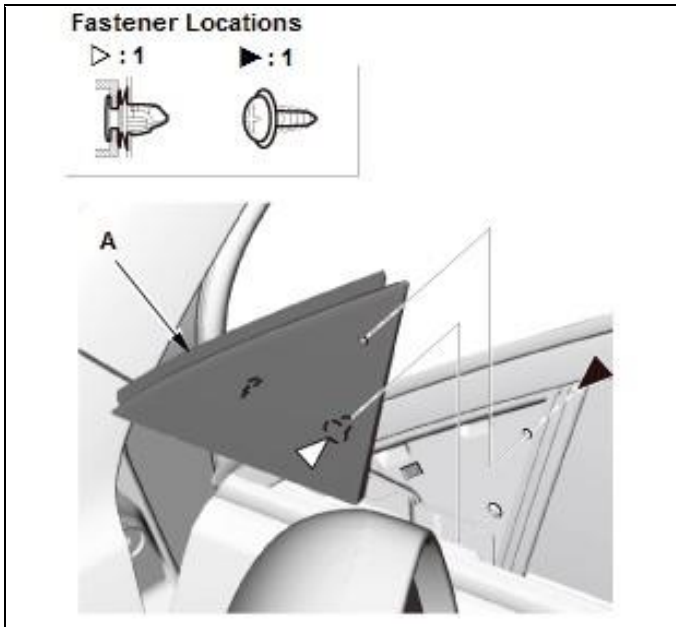
Courtesy of HONDA, U.S.A., INC.

1. Remove the front door corner outer trim (A) .

## REMOVAL & INSTALLATION > FRONT DOOR CORNER OUTER TRIM REMOVAL AND INSTALLATION (2013-18) > INSTALLATION

### 1. Front Door Corner Outer Trim - Install

1. Install the front door corner outer trim (A).



Courtesy of HONDA, U.S.A., INC.

## 2. Tweeter Cover - Install

1. Install the tweeter cover - Refer to: Front Door Panel Removal and Installation (2013-18), or Front Door Panel Removal and Installation(With BSI Alert Indicator) (2016-18) .

## REMOVAL & INSTALLATION > FRONT DOOR GLASS OUTER WEATHERSTRIP REMOVAL AND INSTALLATION (2013-18) > REMOVAL

### 1. Front Door Panel - Remove

1. Remove the front door panel - Refer to: Front Door Panel Removal and Installation (2013-18), or Front Door Panel Removal and Installation(With BSI Alert Indicator) (2016-18) .

### 2. Front Door Corner Outer Trim - Remove

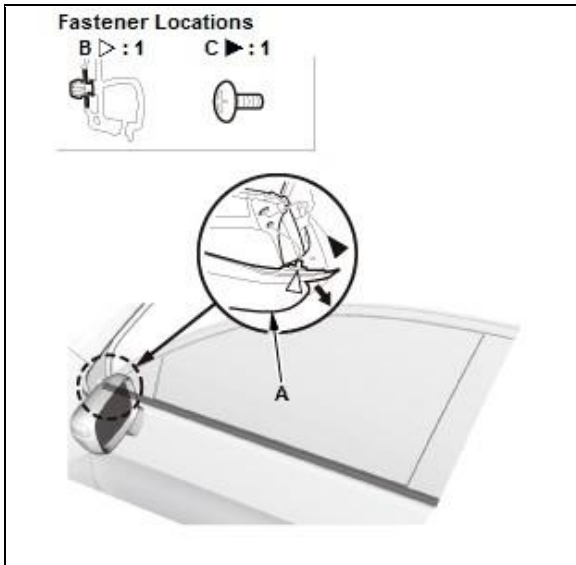
1. Remove the front door corner outer trim .

### 3. Front Door Plastic Cover - Remove (as needed)

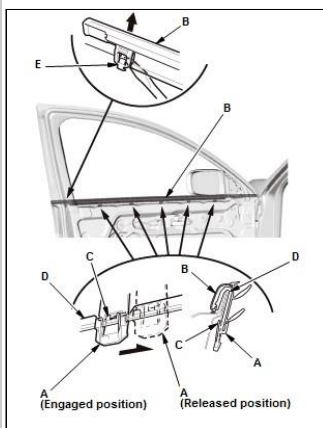
1. Remove the front door plastic cover as needed .

### 4. Front Door Glass Outer Weatherstrip - Remove

1. Pull away the door weatherstrip (A) and remove the clip (B)
2. Remove the screw (C).

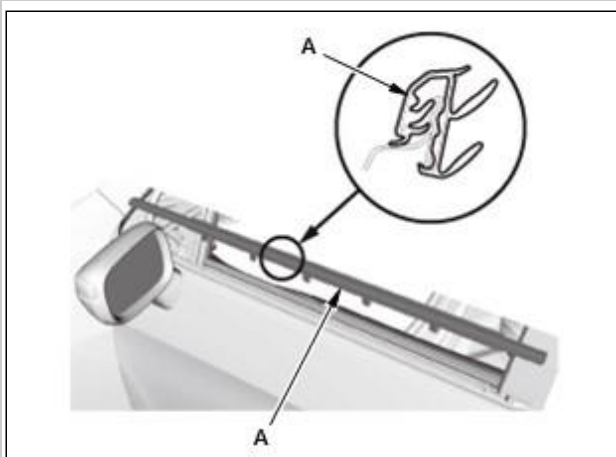


Courtesy of HONDA, U.S.A., INC.



3. From the inside of the door, slide the clips (A) on the front door glass outer weatherstrip (B) to release the hooks (C) from the flanges (D) on the door
4. Release the hook (E) with a flat-tip screwdriver from inside of the door.

Courtesy of HONDA, U.S.A., INC.

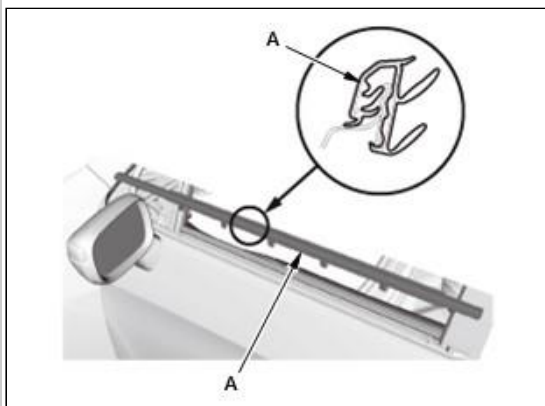


5. Remove the front door glass outer weatherstrip (A).

Courtesy of HONDA, U.S.A., INC.

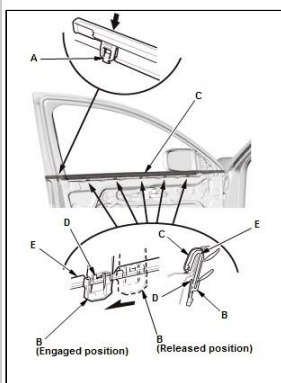
## REMOVAL AND INSTALLATION (2013-18) > INSTALLATION

### 1. Front Door Glass Outer Weatherstrip - Install



1. Set the front door glass outer weatherstrip (A) to the door flanges.

Courtesy of HONDA, U.S.A., INC.

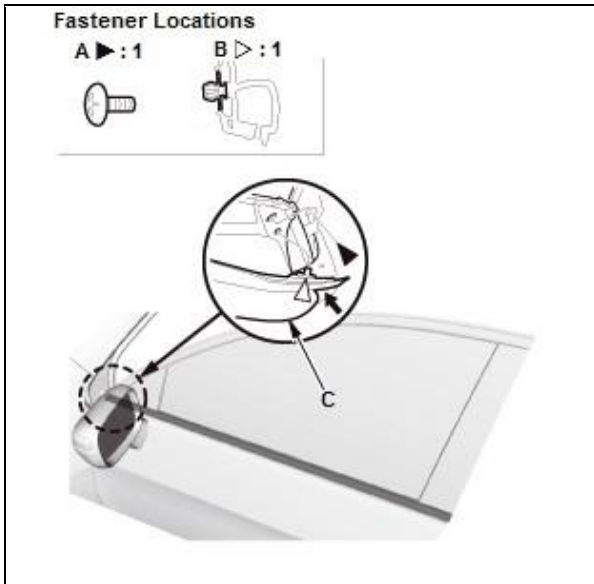


2. Install the hook (A)

3. From the inside of the door, slide the clips (B) on the front door glass outer weatherstrip (C) to the engaged position as shown, to install the hooks (D) to the flanges (E) on the door.

Courtesy of HONDA, U.S.A.,  
INC.

4. Install the screw (A) to the front edge of the door 5. Install the clip (B), then install the door weatherstrip (C).



Courtesy of HONDA, U.S.A., INC.

2. Front Door Plastic Cover - Install

1. Install the front door plastic cover .

3. Front Door Corner Outer Trim - Install

1. Install the front door corner outer trim .

4. Front Door Panel - Install

1. Install the front door panel - Refer to: Front Door Panel Removal and Installation (2013-18), or Front Door Panel Removal and Installation(With BSI Alert Indicator) (2016-18) .

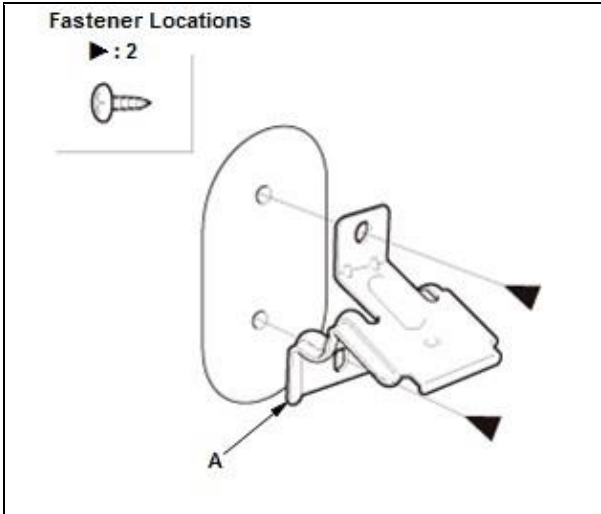
**REMOVAL & INSTALLATION > FRONT DOOR GLASS AND REGULATOR REMOVAL AND INSTALLATION (2013-18) > REMOVAL**

1. Front Door Panel - Remove

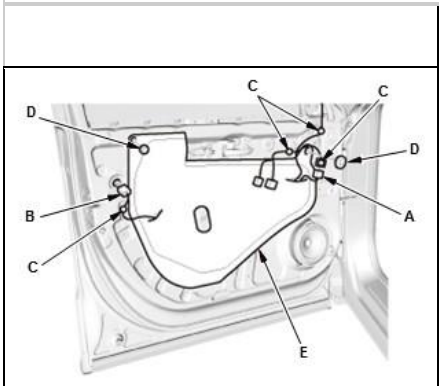
1. Remove the front door panel - Refer to: Front Door Panel Removal and Installation (2013-18), or Front Door Panel Removal and Installation(With BSI Alert Indicator) (2016-18) .

2. Front Door Plastic Cover - Remove

1. Driver's Door: Remove the front door panel bracket (A).



Courtesy of HONDA, U.S.A., INC.

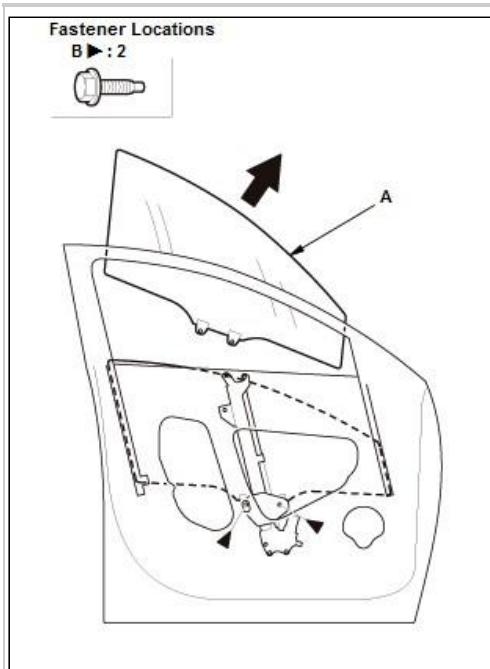


Courtesy of HONDA, U.S.A., INC.

2. Disconnect the power mirror actuator connector (A) and the power door lock actuator connector (B)
3. Remove the harness clips (C)
4. Remove the plug caps (D)
5. Remove the front door plastic cover (E).

**NOTE:** If the plastic cover is damaged or torn, replace it with a new one.

### 3. Front Door Glass - Remove

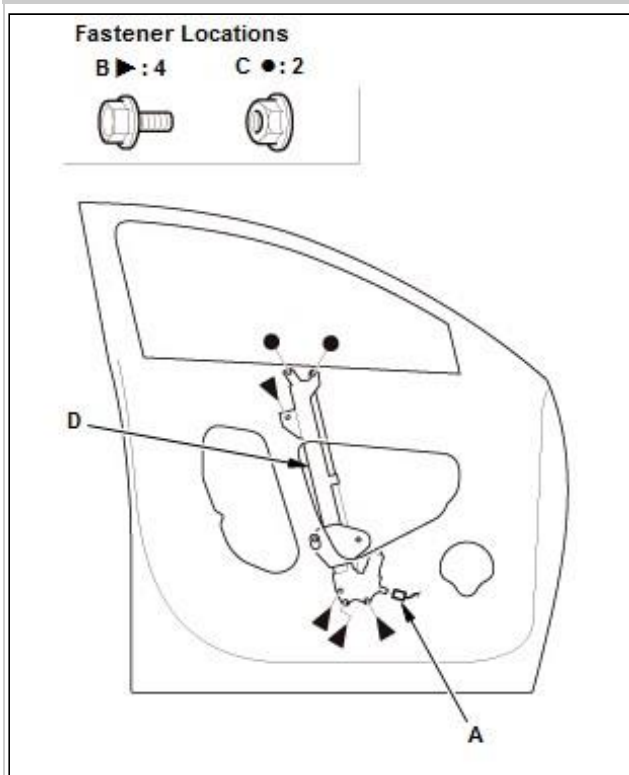


1. Lower the front door glass (A) until you can see the bolts (B), then remove them
2. Carefully pull out the front door glass through the window slot.

**NOTE:** Take care not to drop the front door glass inside the door.

Courtesy of HONDA, U.S.A., INC.

### 4. Front Door Regulator - Remove

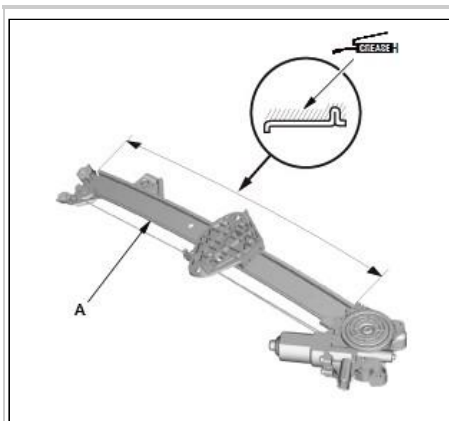


1. Disconnect the front door regulator connector (A)
2. Remove the bolts (B) and the nuts (C )
3. Remove the front door regulator (D ).

Courtesy of HONDA, U.S.A., INC.

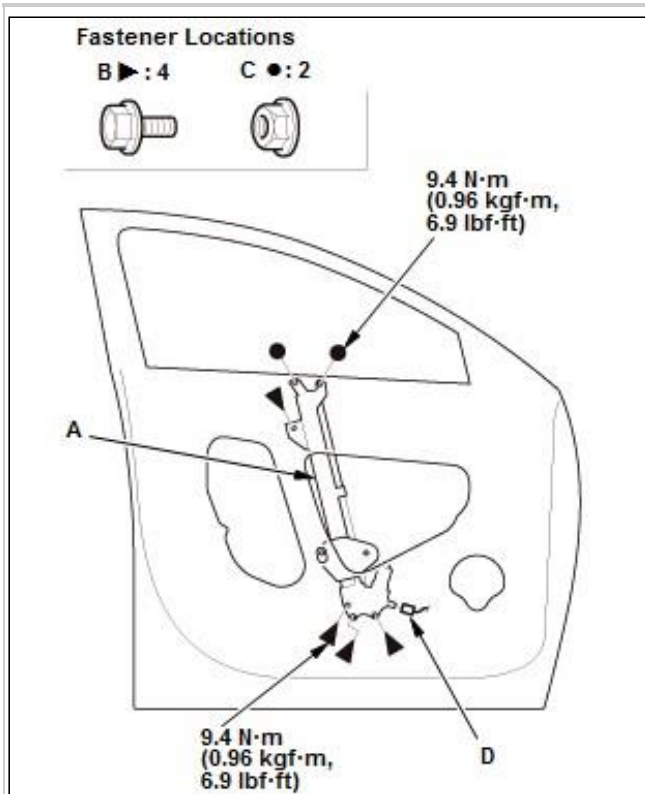
# REMOVAL & INSTALLATION > FRONT DOOR GLASS AND REGULATOR REMOVAL AND INSTALLATION (2013-18) > INSTALLATION

## 1. Front Door Regulator - Install



1. Apply multipurpose grease to all sliding surfaces of the front door regulator (A) where shown.

Courtesy of HONDA, U.S.A., INC.



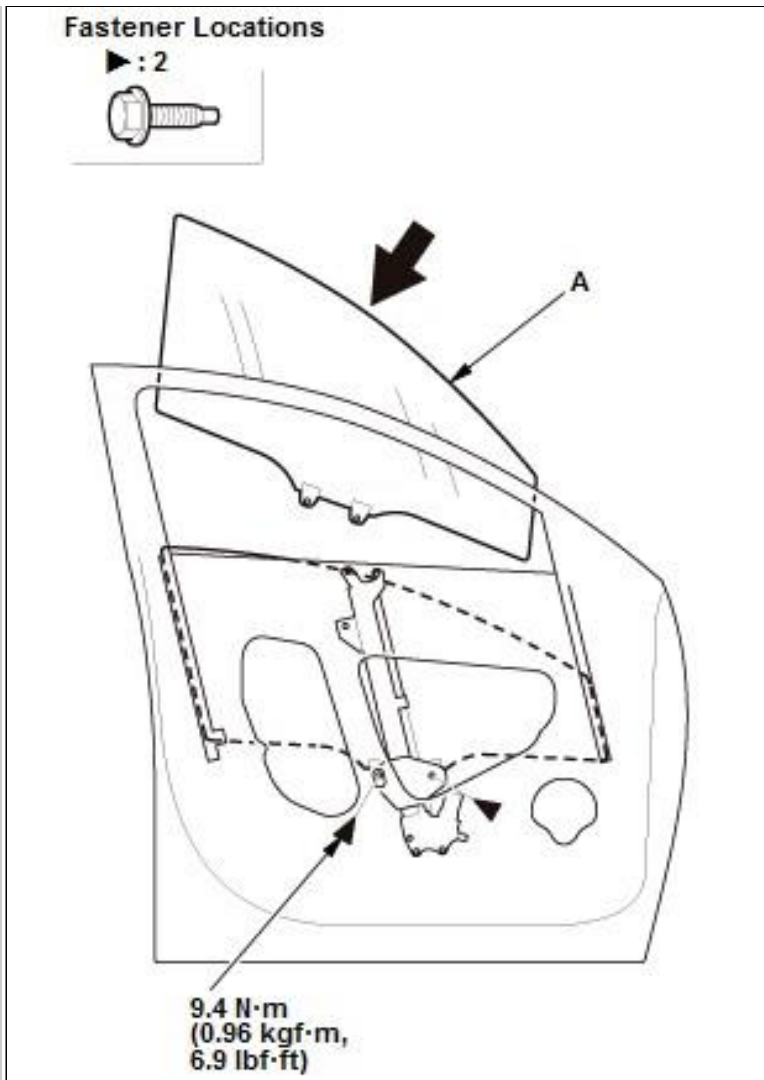
2. Install the front door regulator (A )  
3. Install the bolts (B) and the nuts (C )  
4. Connect the front door regulator connector (D).

Courtesy of HONDA, U.S.A., INC.

## 2. Front Door Glass - Install



1. Install the front door glass (A).

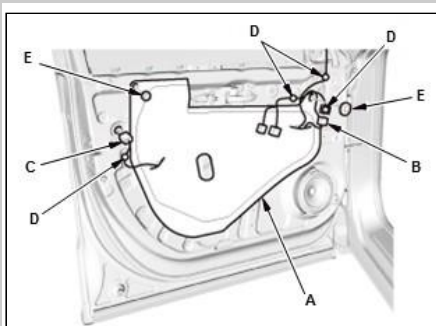


Courtesy of HONDA, U.S.A., INC.

### 3. Front Door Glass - Adjust

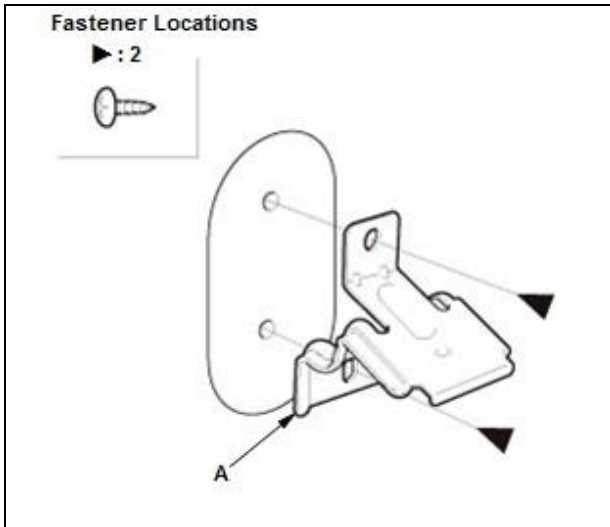
1. Do the front door glass adjustment .

### 4. Front Door Plastic Cover - Install



1. Install the front door plastic cover ( A )
2. Connect the power mirror actuator connector ( B ) and the power door lock actuator connector ( C )
3. Install the harness clips ( D )
4. Install the plug caps ( E ) .

Courtesy of HONDA, U.S.A., INC.



Courtesy of HONDA, U.S.A., INC.

5. Driver's Door: Install the front door panel bracket (A).

5. Front Door Panel - Install

1. Install the front door panel - Refer to: Front Door Panel Removal and Installation (2013-18), or Front Door Panel Removal and Installation(With BSI Alert Indicator) (2016-18) .

6. Power Window Control Unit - Reset

1. Reset the power window control unit .

**REMOVAL & INSTALLATION > FRONT DOOR LATCH REMOVAL AND INSTALLATION (2013-18) > REMOVAL**

1. Front Door Panel - Remove

1. Remove the front door panel - Refer to: Front Door Panel Removal and Installation (2013-18), or Front Door Panel Removal and Installation(With BSI Alert Indicator) (2016-18) .

2. Front Door Cylinder - Remove

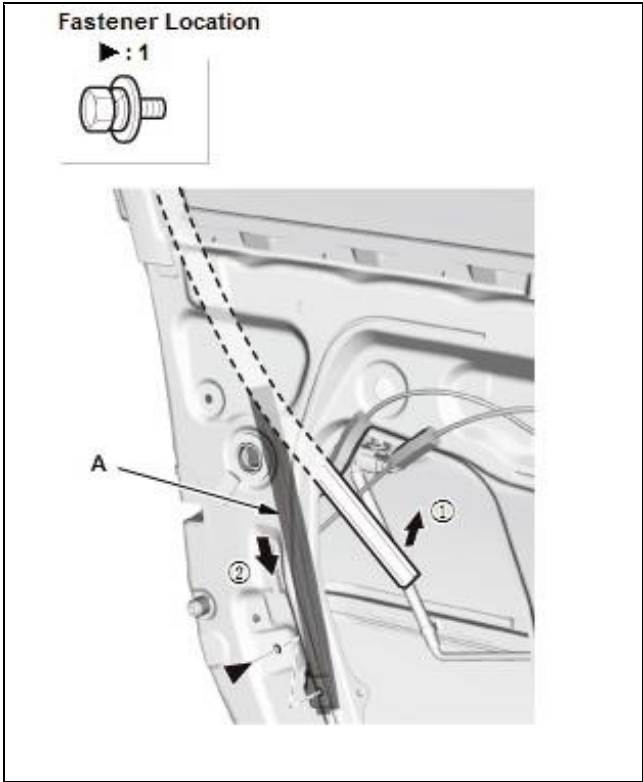
1. Remove the front door cylinder .

3. Front Door Plastic Cover - Remove (as needed)

1. Remove the front door plastic cover as needed .

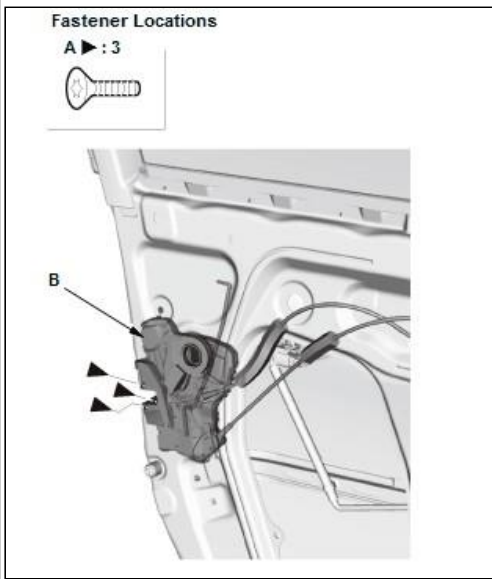
4. Front Door Center Lower Channel - Remove

1. Remove the front door center lower channel (A).



Courtesy of HONDA, U.S.A., INC.

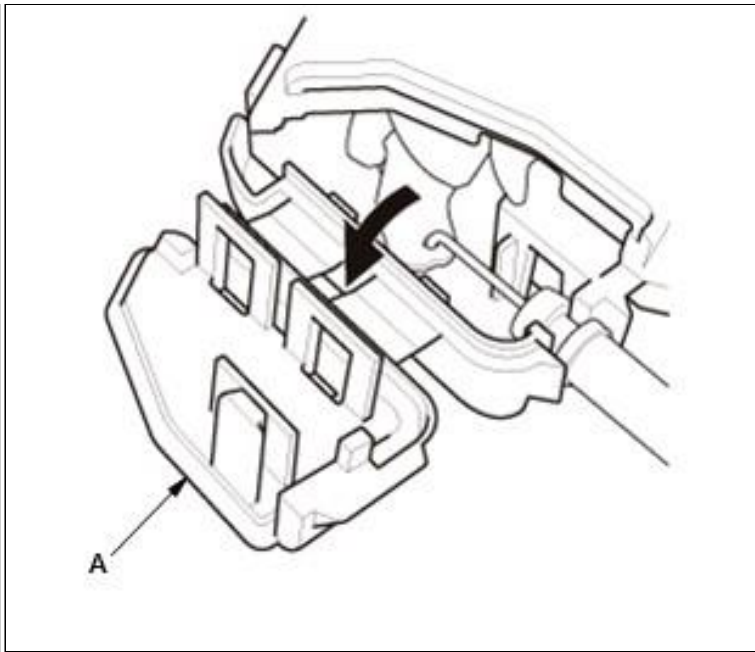
5. Front Door Latch - Remove



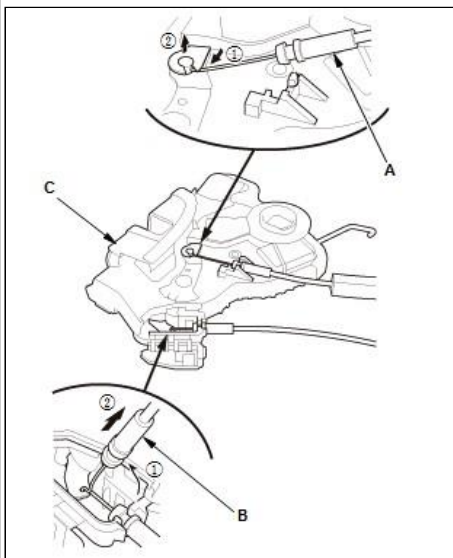
Courtesy of HONDA, U.S.A., INC.

1. Remove the bolts (A) with a TORX T30 bit, then remove the front door latch (B).

2. Open the latch protector lid (A).



Courtesy of HONDA, U.S.A., INC.



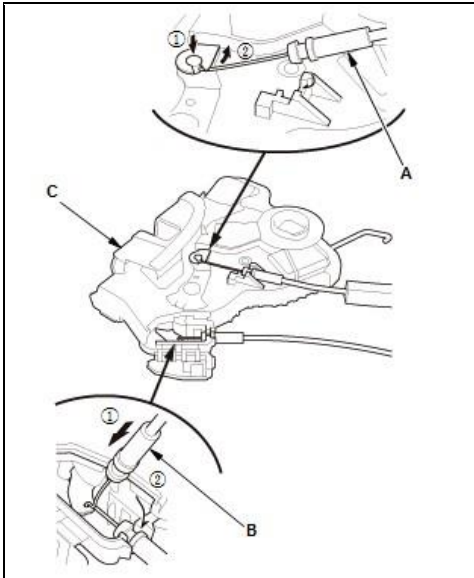
3. Disconnect the inner handle cable (A) and the latch cable (B ) from the front door latch (C).

Courtesy of HONDA, U.S.A., INC.

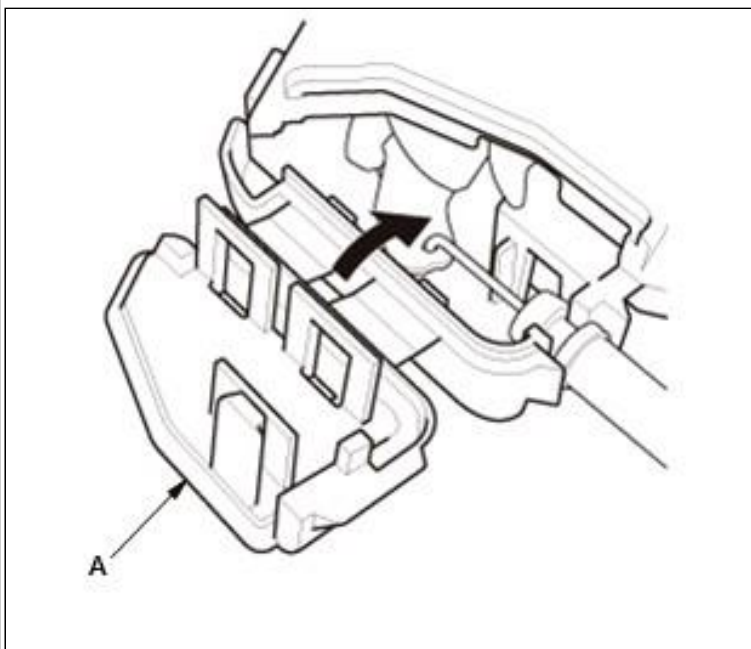
## REMOVAL & INSTALLATION > FRONT DOOR LATCH REMOVAL AND INSTALLATION (2013-18) > INSTALLATION

1. Front Door Latch - Install

1. Connect the inner handle cable (A) and the latch cable (B) to the front door latch (C).



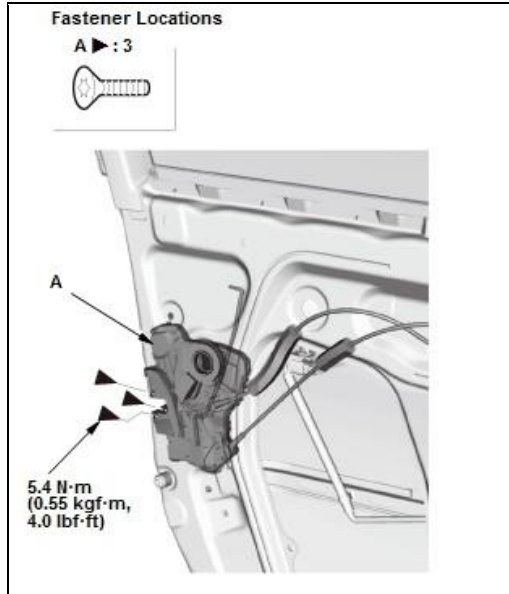
Courtesy of HONDA, U.S.A., INC.



2. Close the latch protector lid (A).

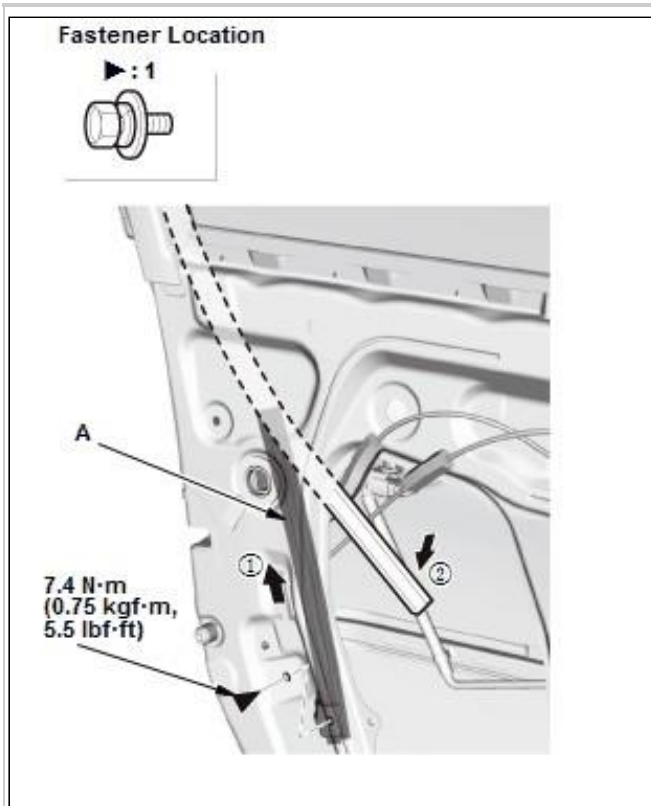
Courtesy of HONDA, U.S.A., INC.

3. Install the bolts (A) with a TORX T30 bit, then install the front door latch (B).



Courtesy of HONDA, U.S.A., INC.

## 2. Front Door Center Lower Channel - Install



Courtesy of HONDA, U.S.A., INC.

1. Install the front door center lower channel (A ).

## 3. Front Door Plastic Cover - Install

1. Install the front door plastic cover .

## 4. Front Door Panel - Install

1. Install the front door panel - Refer to: Front Door Panel Removal and Installation (2013-18), or Front Door Panel Removal and Installation(With BSI Alert Indicator) (2016-18) .

## 5. Front Door Cylinder - Install

1. Install the front door cylinder .

**REMOVAL & INSTALLATION > FRONT DOOR LOWER SEAL REMOVAL AND INSTALLATION (2013-18) > REMOVAL**



## 1. Front Door Lower Seal - Remove



Courtesy of HONDA, U.S.A., INC.

1. Remove the front door lower seal (A ).

**NOTE:** Take care not to damage the clips (B) because they are not available separately.

## REMOVAL & INSTALLATION > FRONT DOOR LOWER SEAL REMOVAL AND INSTALLATION (2013-18) > INSTALLATION

### 1. Front Door Lower Seal - Install



Courtesy of HONDA, U.S.A., INC.

1. Install the front door lower seal (A).

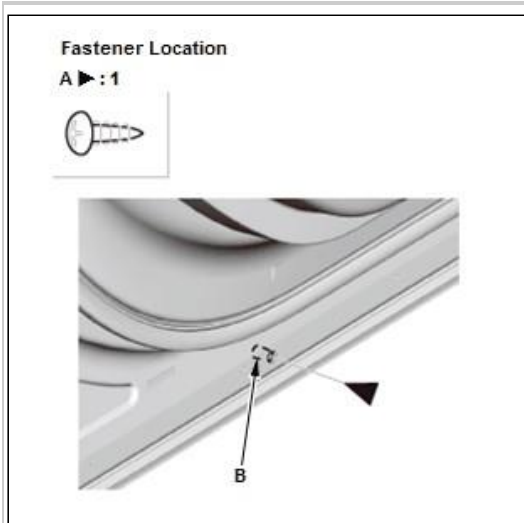
**NOTE:** Make sure front door lower seal is inserted into the gap between the front door lower trim (B) and the door panel.

## REMOVAL & INSTALLATION > FRONT DOOR LOWER TRIM REMOVAL AND INSTALLATION (2013-18) > REMOVAL

### 1. Front Door Lower Seal - Remove (as needed)

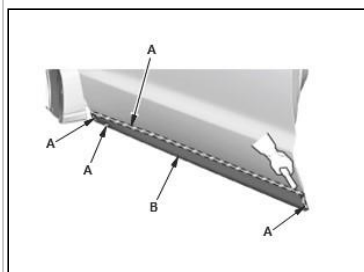
1. Remove the front door lower seal as needed .

## 2. Front Door Lower Trim - Remove



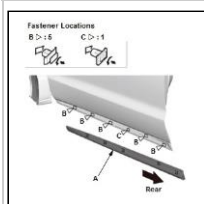
1. Remove the screw (A) securing the clip (B) of the front door lower trim.

Courtesy of HONDA, U.S.A., INC.



2. Carefully cut the double-sided adhesive tapes (A) with a utility knife while separating the front door lower trim (B) from the door.

Courtesy of HONDA, U.S.A., INC.

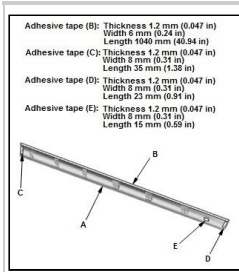


3. Slide the front door lower trim (A) rearward, then remove it. The clips (B, C) will stay in the door. Remove the clips B, C from the door  
4. If the clips are damaged or stress-whitened, replace them with new ones  
5. Install the clips on the front door lower trim  
6. Rub off the remaining double-sided adhesive tapes from the front door lower trim and the door, then clean the trim surfaces and the door surfaces with a sponge dampened with isopropyl alcohol. After cleaning, keep oil, grease, and water from getting on the clean surface.

Courtesy of HONDA,  
U.S.A., INC.

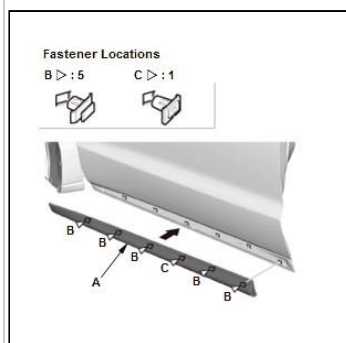
## REMOVAL & INSTALLATION > FRONT DOOR LOWER TRIM REMOVAL AND INSTALLATION (2013-18) > INSTALLATION

## 1. Front Door Lower Trim - Install



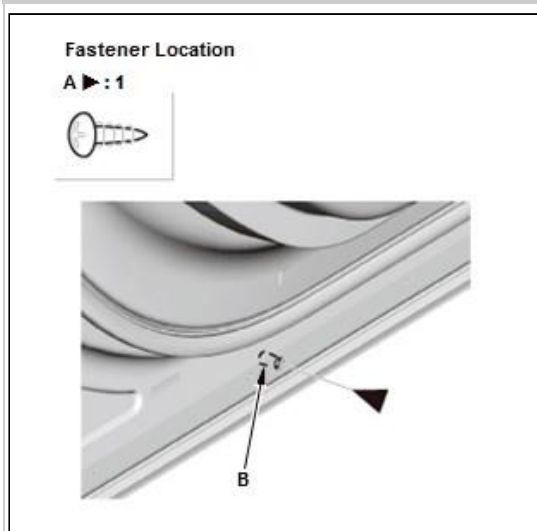
Courtesy of HONDA,  
U.S.A., INC.

1. If you are reusing the original front door lower trim (A), apply PP primer to the areas where the new double-sided adhesive tapes (B, C, D, E) will be applied, then attach the new double-sided adhesive tapes to the trim as shown
2. Fold the edge of each adhesive backing from the double-sided adhesive tapes.



Courtesy of HONDA, U.S.A., INC.

3. Hold up the front door lower trim (A), and fit the clips (B, C) into the holes in the door, then push on the trim until the clips snap into place
4. Carefully pull away the adhesive backing, and push on the double-sided adhesive tape areas to make the adhesives stick securely.



Courtesy of HONDA, U.S.A., INC.

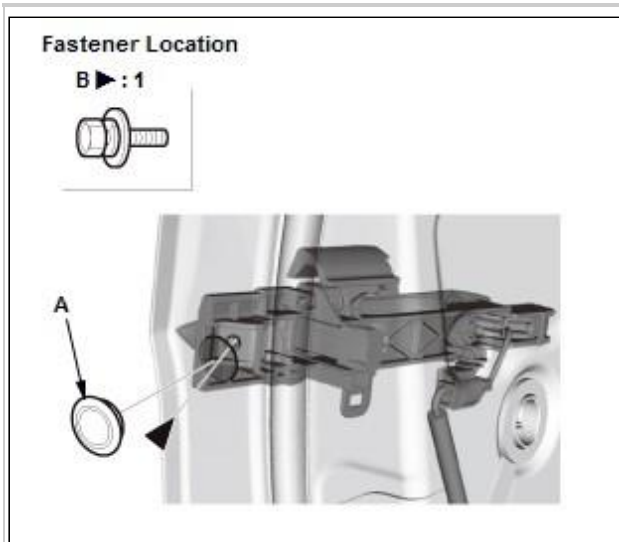
5. Install the screw (A) securing the clip (B) of the front door lower trim.

## 2. Front Door Lower Seal - Install

1. Install the front door lower seal .

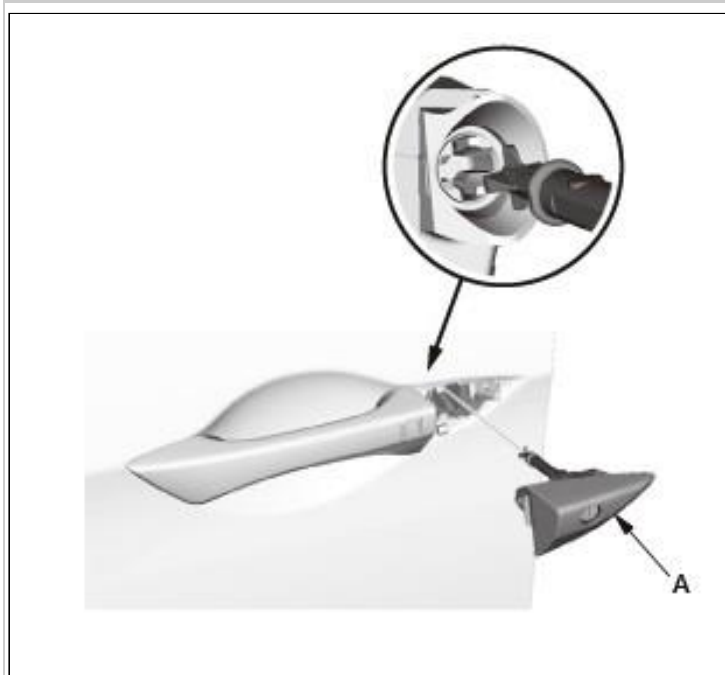
**REMOVAL & INSTALLATION > FRONT DOOR OUTER HANDLE REMOVAL AND INSTALLATION (2013-18) > REMOVAL**

## 1. Front Door Cylinder - Remove



1. Remove the plug cap (A), then remove the bolt (B).

Courtesy of HONDA, U.S.A., INC.



2. Remove the front door cylinder (A).

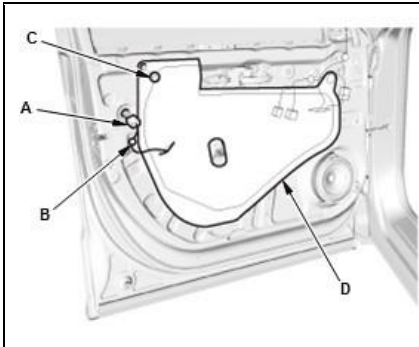
Courtesy of HONDA, U.S.A., INC.

## 2. Front Door Panel - Remove

1. Remove the front door panel - Refer to: Front Door Panel Removal and Installation (2013-18), or Front Door Panel Removal and Installation(With BSI Alert Indicator) (2016-18) .

## 3. Front Door Plastic Cover - Remove (as needed)



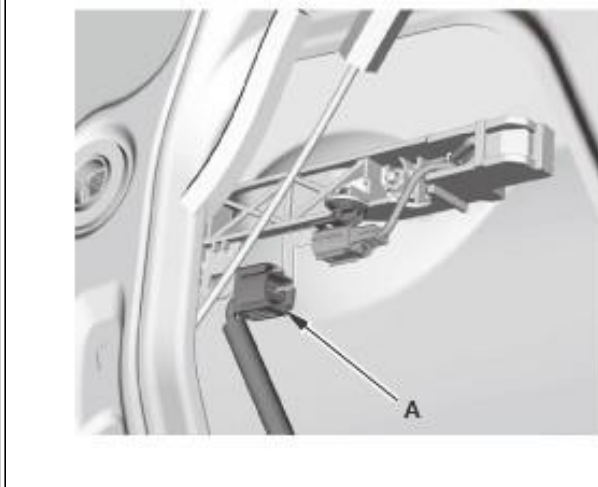


Courtesy of HONDA, U.S.A., INC.

1. Disconnect the power door lock actuator connector (A), and remove the harness clip (B)
2. Remove the plug cap (C)
3. Remove the front door plastic cover (D) as needed.

NOTE: If the plastic cover is damaged or torn, replace it with a new one.

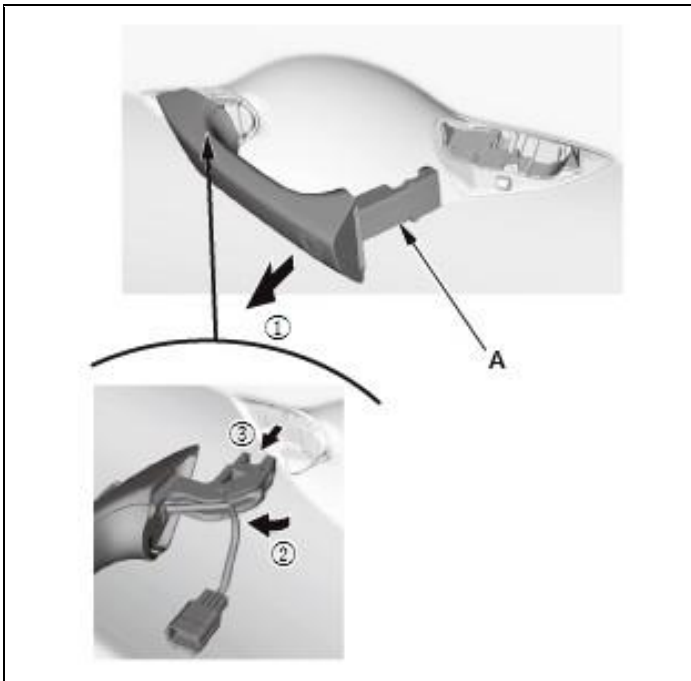
#### 4. Front Door Outer Handle - Remove



Courtesy of HONDA, U.S.A., INC.

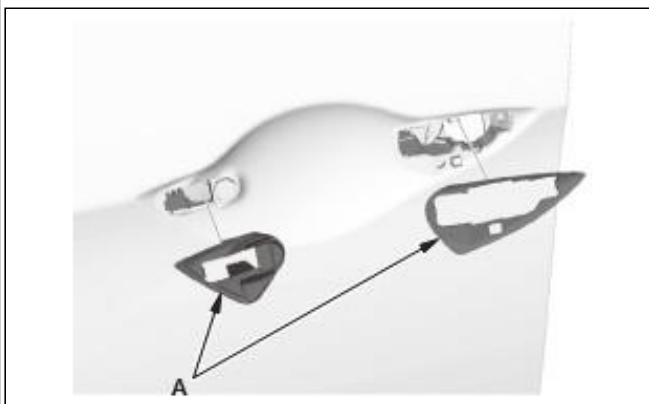
1. Disconnect the outer handle connector (A).

2. Remove the front door outer handle (A).



Courtesy of HONDA, U.S.A., INC.

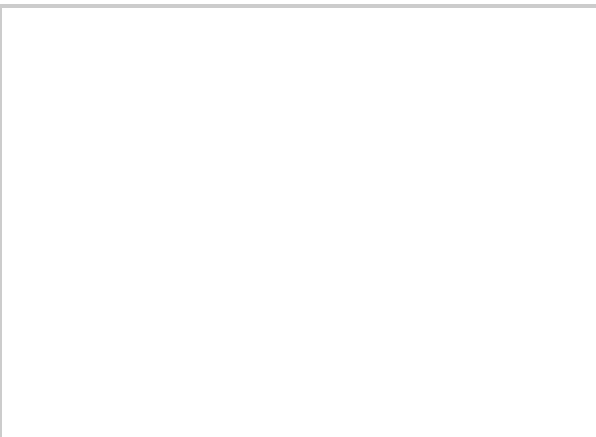
#### 5. Front Door Outer Handle Seals - Remove



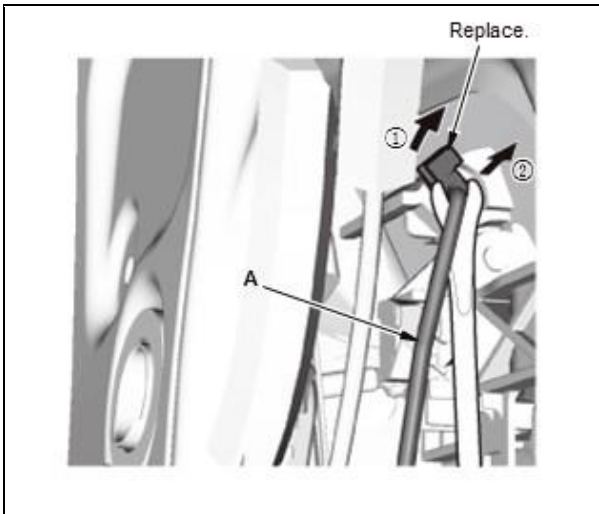
Courtesy of HONDA, U.S.A., INC.

1. Remove the front door outer handle seals (A ).

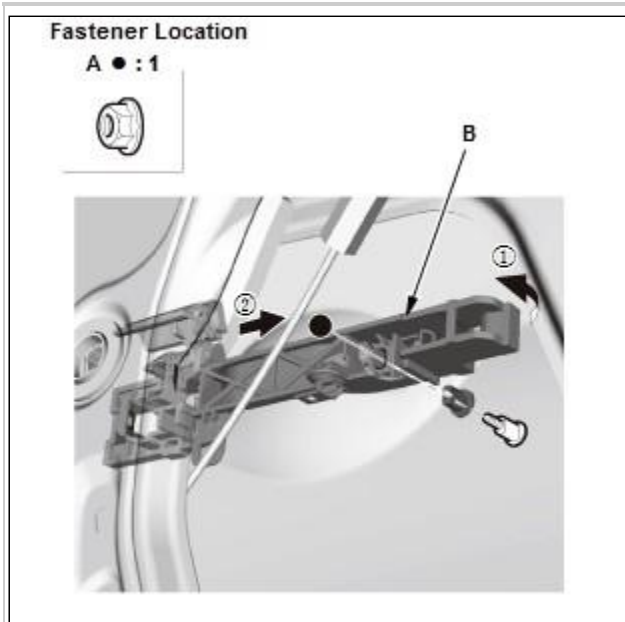
#### 6. Front Door Outer Handle Base - Remove



1. Disconnect the outer handle rod (A) with a clip remover.

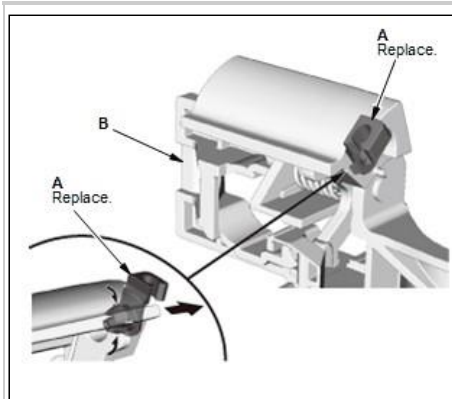


Courtesy of HONDA, U.S.A., INC.



2. Remove the nut (A)
3. Slide out the outer handle base (B), and remove it.

Courtesy of HONDA, U.S.A., INC.



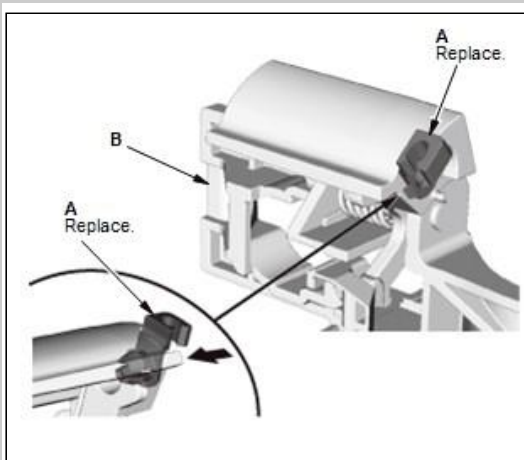
4. Remove the rod fastener (A) from the outer handle base (B), then replace it with a new one.

Courtesy of HONDA, U.S.A., INC.

**REMOVAL & INSTALLATION > FRONT DOOR OUTER HANDLE REMOVAL AND INSTALLATION (2013-18) > INSTALLATION**

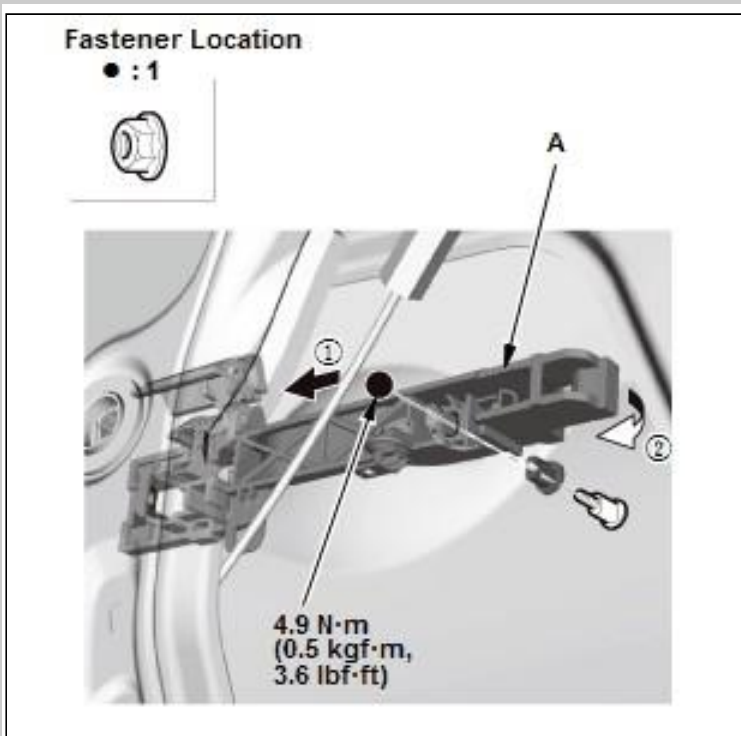


## 1. Front Door Outer Handle Base - Install



1. Install the new rod fastener (A) to the front door outer handle base (B).

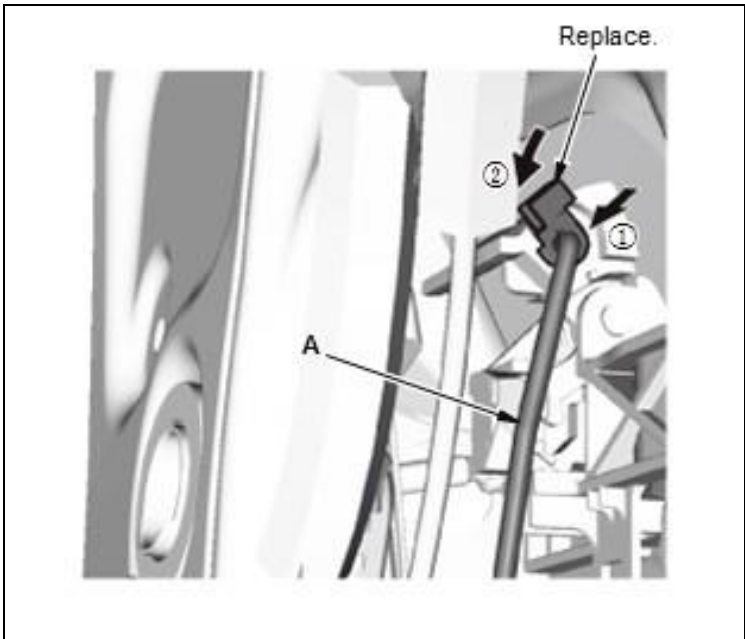
Courtesy of HONDA, U.S.A., INC.



2. Install the outer handle base (A).

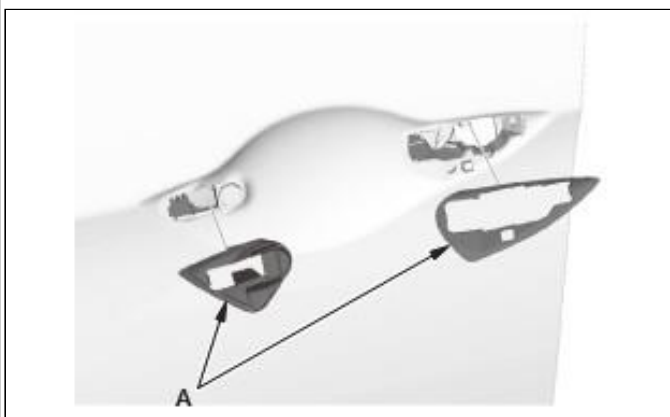
Courtesy of HONDA, U.S.A., INC.

3. Connect the outer handle rod (A).



Courtesy of HONDA, U.S.A., INC.

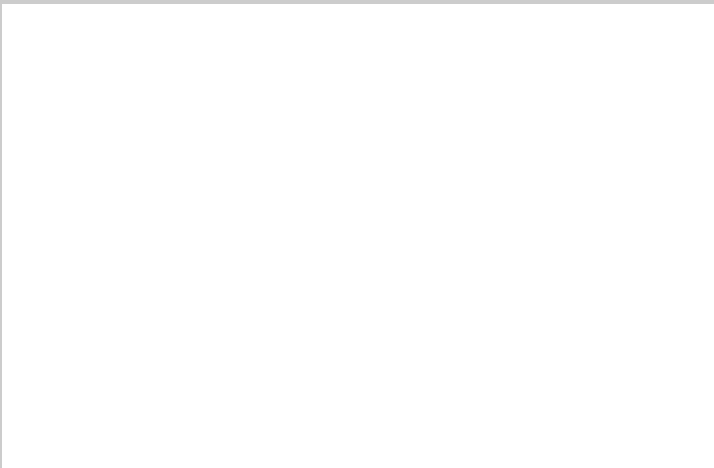
2. Front Door Outer Handle Seals - Install



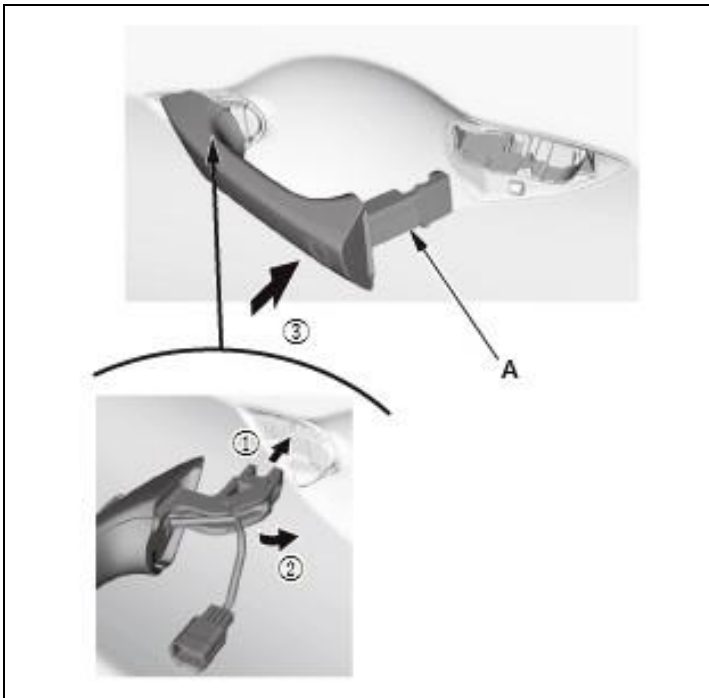
Courtesy of HONDA, U.S.A., INC.

1. Install the front door outer handle seals (A ).

3. Front Door Outer Handle - Install



1. Install the front door outer handle (A).



Courtesy of HONDA, U.S.A., INC.

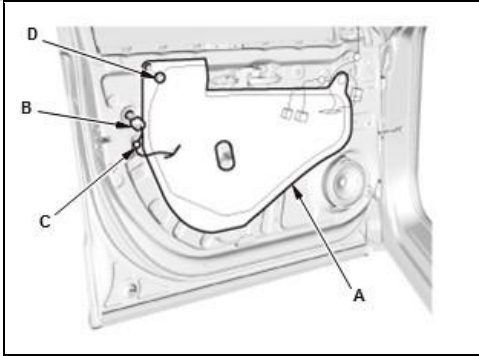


Courtesy of HONDA, U.S.A., INC.

2. Connect the outer handle connector (A ).

4. Front Door Plastic Cover - Install

1. Install the front door plastic cover (A)
2. Connect the power door lock actuator connector (B) and install the harness clip (C)
3. Install the plug cap (D).

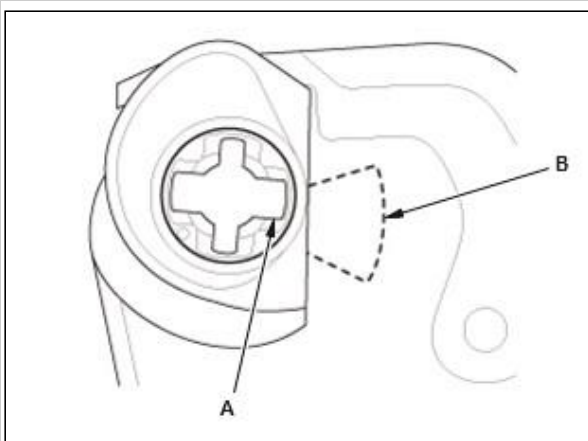


Courtesy of HONDA, U.S.A., INC.

#### 5. Front Door Panel - Install

1. Install the front door panel - Refer to: Front Door Panel Removal and Installation (2013-18), or Front Door Panel Removal and Installation(With BSI Alert Indicator) (2016-18) .

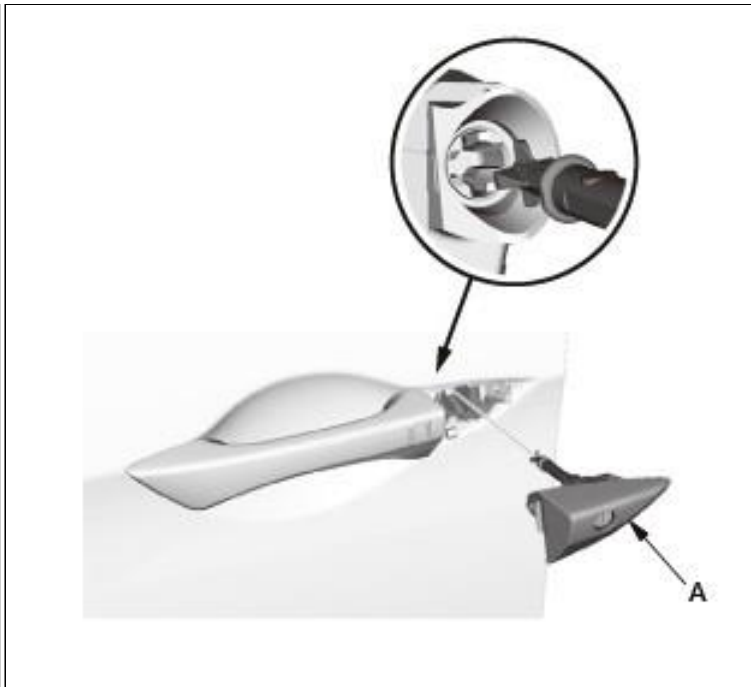
#### 6. Front Door Cylinder - Install



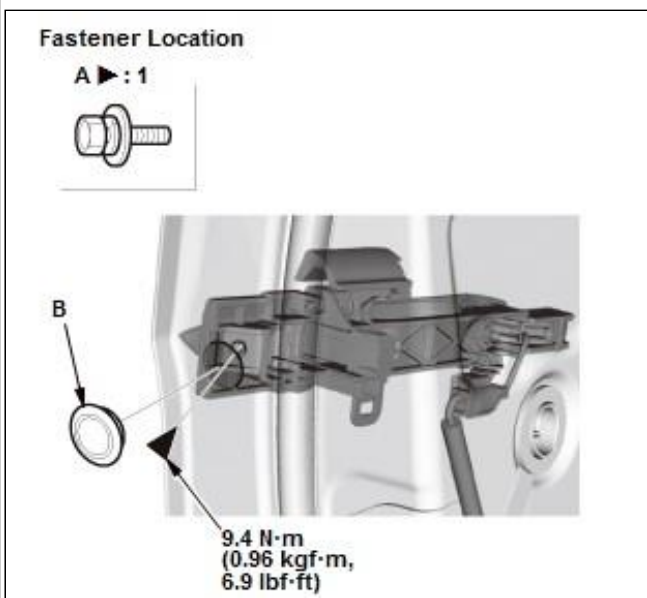
Courtesy of HONDA, U.S.A., INC.

1. Make sure the ditch (A) is within the range (B) as shown.

2. Install the front door cylinder (A).



Courtesy of HONDA, U.S.A., INC.



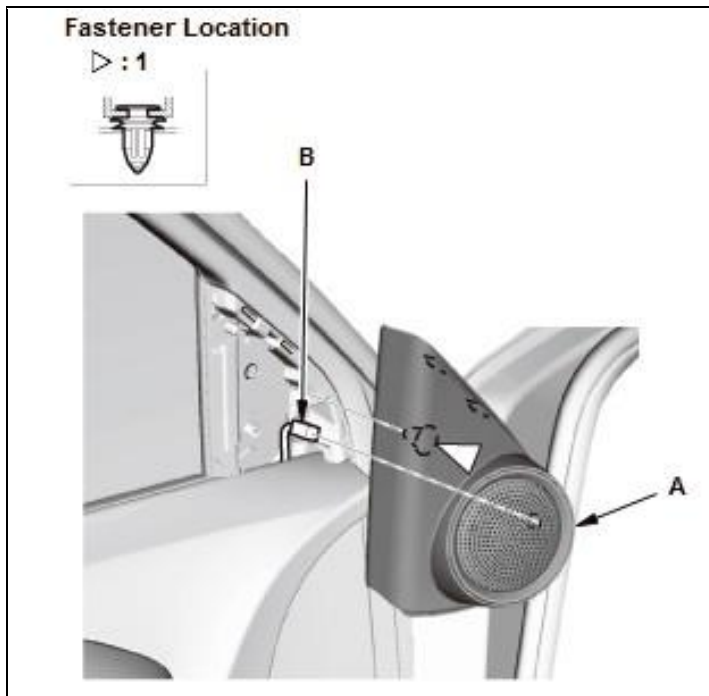
Courtesy of HONDA, U.S.A., INC.

3. Install the bolt (A), then install the plug cap (B).

**REMOVAL & INSTALLATION > FRONT DOOR PANEL REMOVAL AND INSTALLATION (2013-18) > REMOVAL**

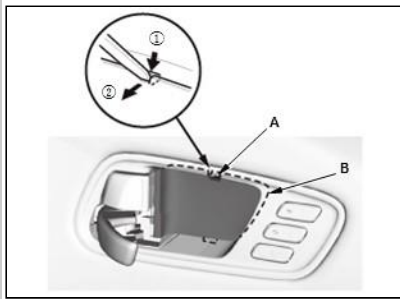
1. Tweeter Cover - Remove

1. Remove the tweeter cover (A)
2. Disconnect the tweeter connector (B).



Courtesy of HONDA, U.S.A., INC.

## 2. Front Door Panel - Remove



1. Push on the upper hook (A) with the appropriate trim tool, then pull back the inner handle cap (B) to remove it.

Courtesy of HONDA, U.S.A., INC.



2. Remove the screws (A) securing the front door inner handle.

Courtesy of HONDA, U.S.A., INC.



### Fastener Location

B ▶ : 1

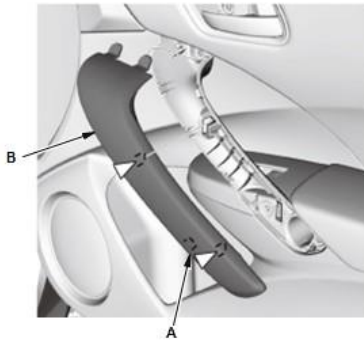


3. Driver's door: Remove the pull pocket lid (A )
4. Driver's door: Remove the screw (B ).

Courtesy of HONDA, U.S.A., INC.

### Fastener Locations

▷ : 2



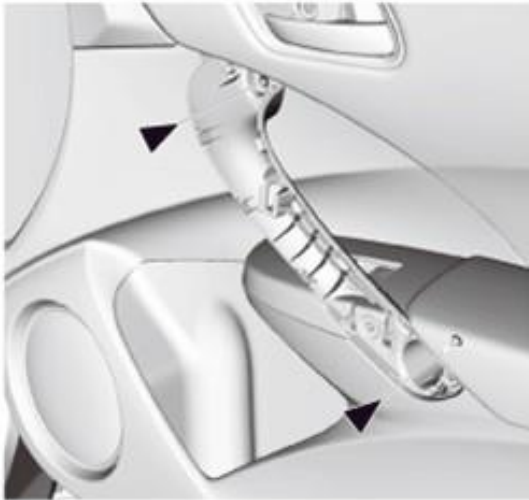
5. Passenger's door: Insert a small flat-tip screwdriver into the notch (A), and remove the grip cover (B).

Courtesy of HONDA, U.S.A., INC.

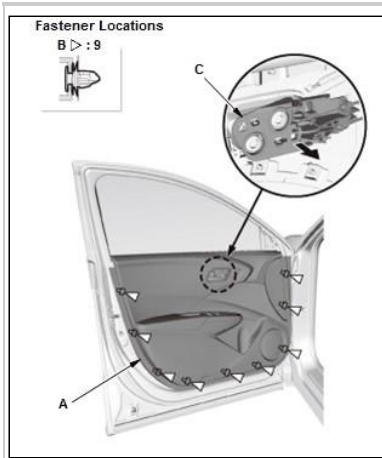
6. Passenger's door: Remove the screws (A).

**Fastener Locations**

A ▶ : 2



Courtesy of HONDA, U.S.A., INC.

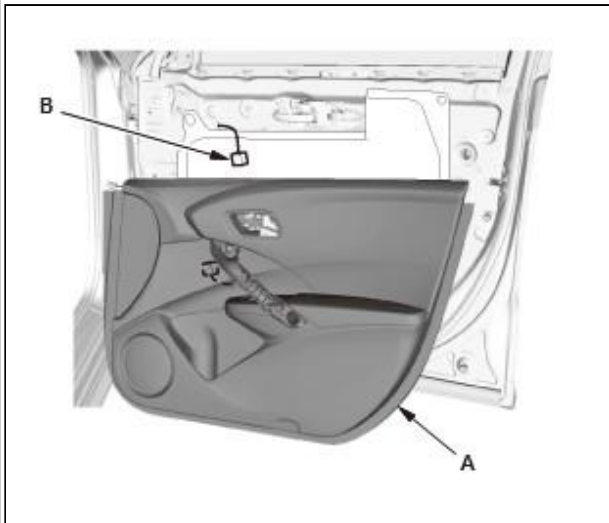
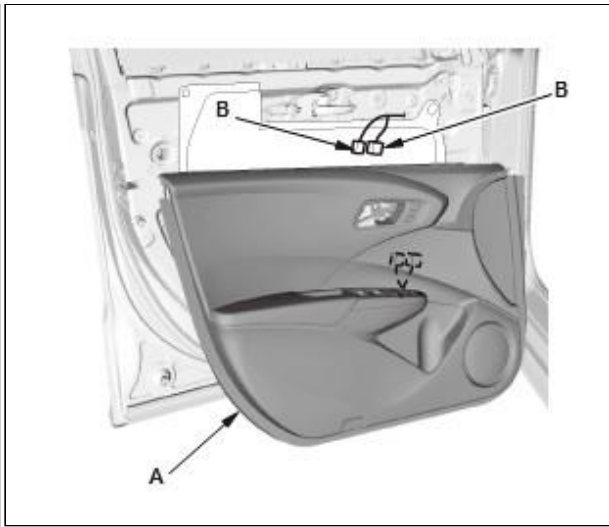


Courtesy of HONDA, U.S.A., INC.

7. Start at the bottom edge of the front door panel (A), remove the clips (B) with a commercially available trim pad remover
8. Starting at the rear, pull the door panel upward
9. Release the inner handle (C) from the inside of the front door panel.

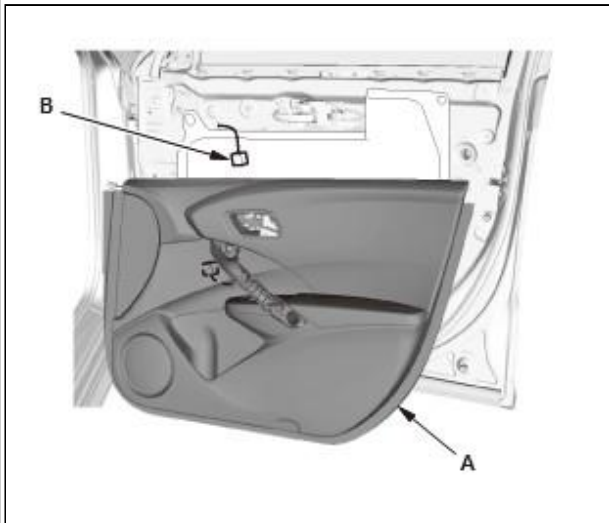
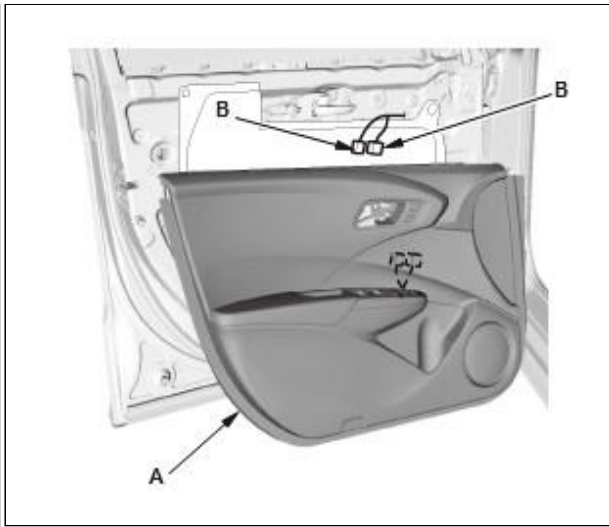
### Driver's door

10. While holding the front door panel (A) away from the door, disconnect the door subharness connector(s) (B).



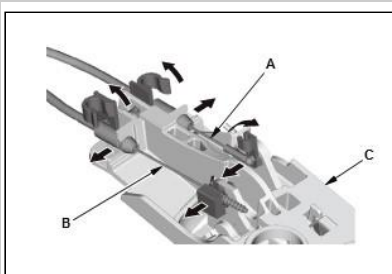
Courtesy of HONDA, U.S.A., INC. HONDA, U.S.A., INC.

### Passenger's door



Courtesy of HONDA, U.S.A., INC. HONDA, U.S.A., INC.

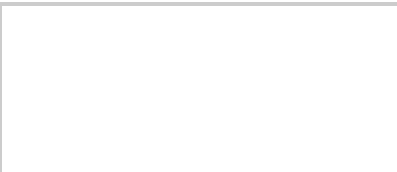
### 3. Front Door Inner handle - Remove



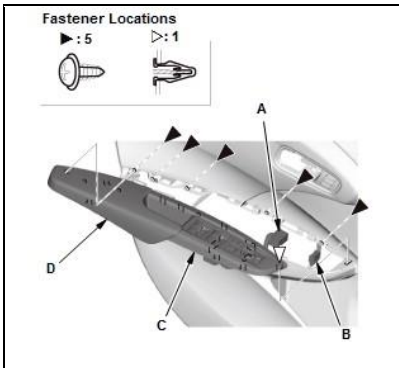
Courtesy of HONDA, U.S.A., INC.

1. Disconnect the inner handle cable (A) and the latch cable (B) from the inner handle (C), then remove the handle.

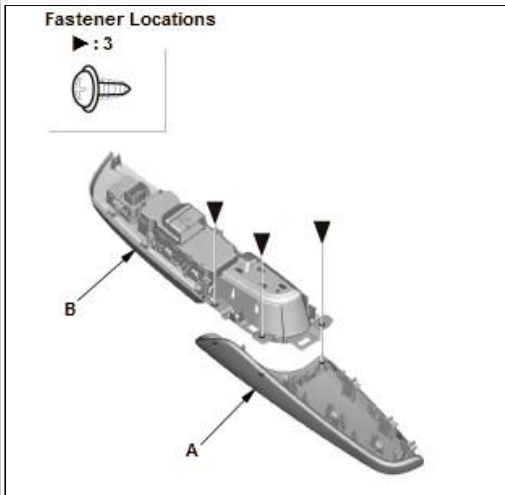
### 4. Front Door Armrest/Power Window Switch Panel (Driver's Side) - Remove



1. Disconnect the power window switch connector (A) and the powermirror switch connector (B)
2. Remove the power window switch panel (C) and the front doorarmrest (D) as an assembly from the door panel.



Courtesy of HONDA, U.S.A., INC.



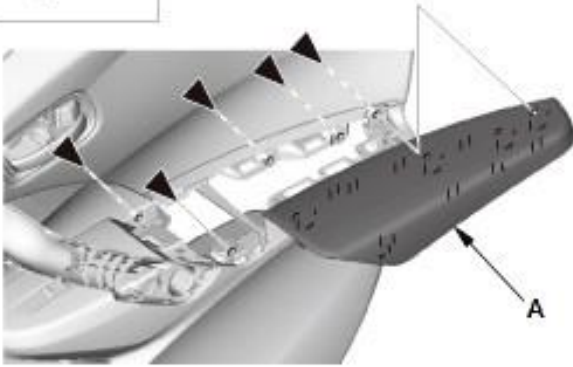
Courtesy of HONDA, U.S.A., INC.

3. Remove the front door armrest (A) from the power window switch panel (B).

5. Front Door Armrest (Passenger's Side) - Remove

**Fastener Locations**

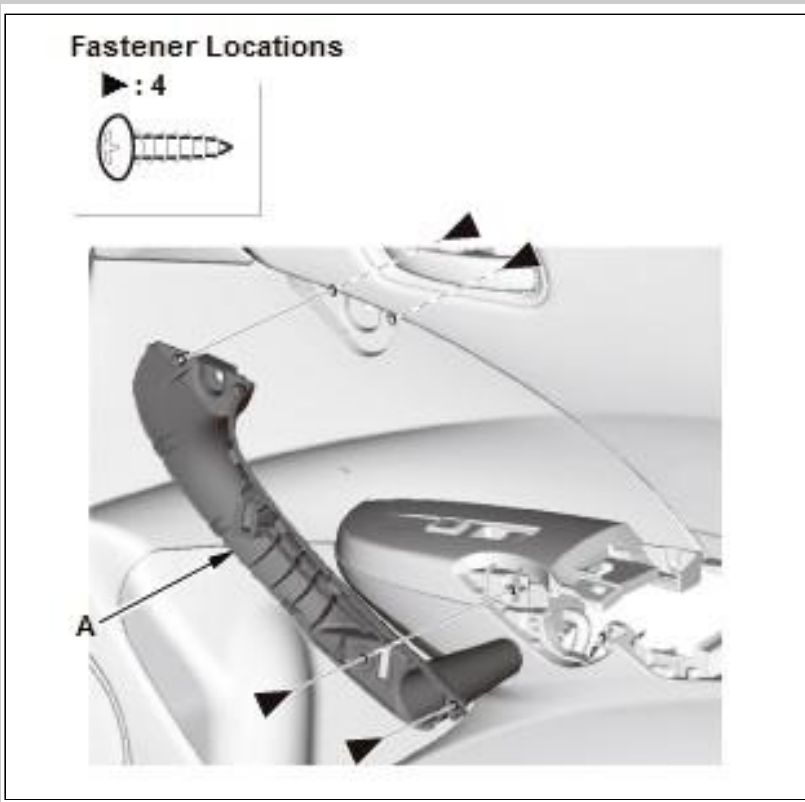
▶ : 5



1. Remove the front door armrest (A ).

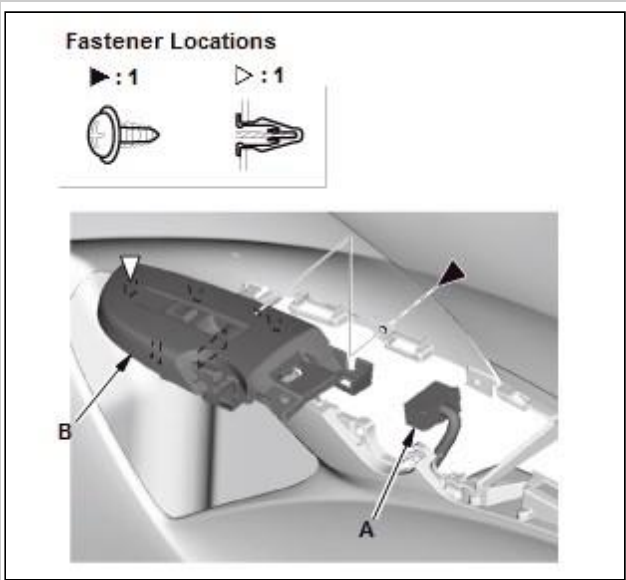
Courtesy of HONDA, U.S.A., INC.

6. Power Window Switch Panel (Passenger's Side) - Remove



Courtesy of HONDA, U.S.A., INC.

1. Remove the grip base (A).



Courtesy of HONDA, U.S.A., INC.

2. Disconnect the power window switch connector (A)  
 3. Remove the power window switch panel (B).

7. Front Door Inner Weatherstrip - Remove



1. Remove the front door inner weatherstrip (A).





Courtesy of HONDA, U.S.A., INC.

## REMOVAL & INSTALLATION > FRONT DOOR PANEL REMOVAL AND INSTALLATION (2013-18) > INSTALLATION

NOTE: If you replace the power window master switch or the front passenger's power window switch, reset the power window control unit .

### 1. Front Door Inner Weatherstrip - Install

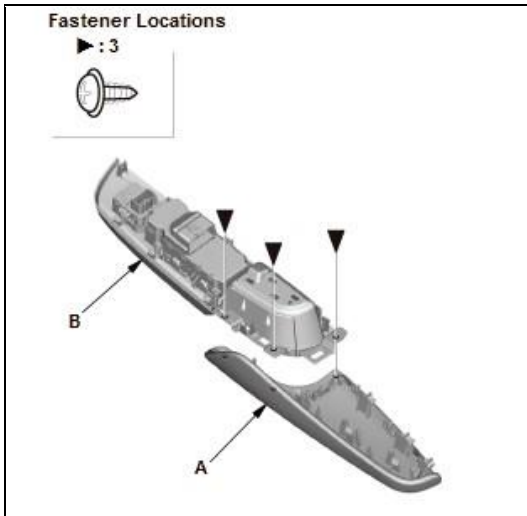


Courtesy of HONDA, U.S.A., INC.

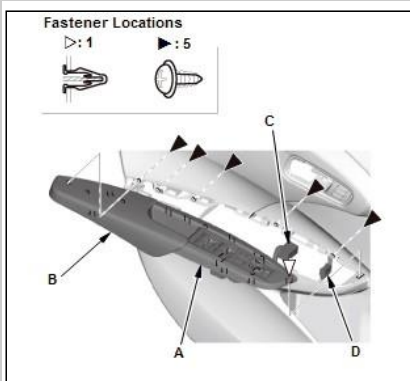
1. Install the front door inner weatherstrip (A ).

### 2. Front Door Armrest/Power Window Switch Panel (Driver's Side) - Install

1. Install the front door armrest (A) to the power window switch panel (B).



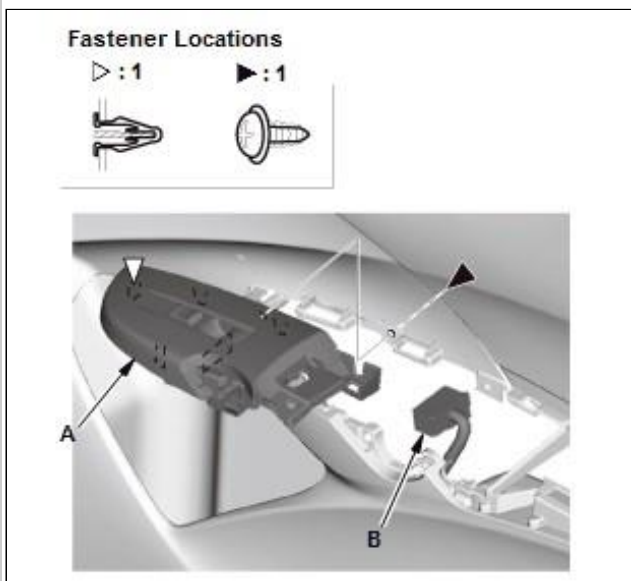
Courtesy of HONDA, U.S.A., INC.



2. Install the power window switch panel (A) and the front door armrest (B) as an assembly to the door panel
3. Connect the power window switch connector (C) and the power mirror switch connector (D).

Courtesy of HONDA, U.S.A., INC.

### 3. Power Window Switch Panel (Passenger's Side) - Install



1. Install the power window switch panel (A )
2. Connect the power window switch connector (B).

Courtesy of HONDA, U.S.A., INC.

### Fastener Locations

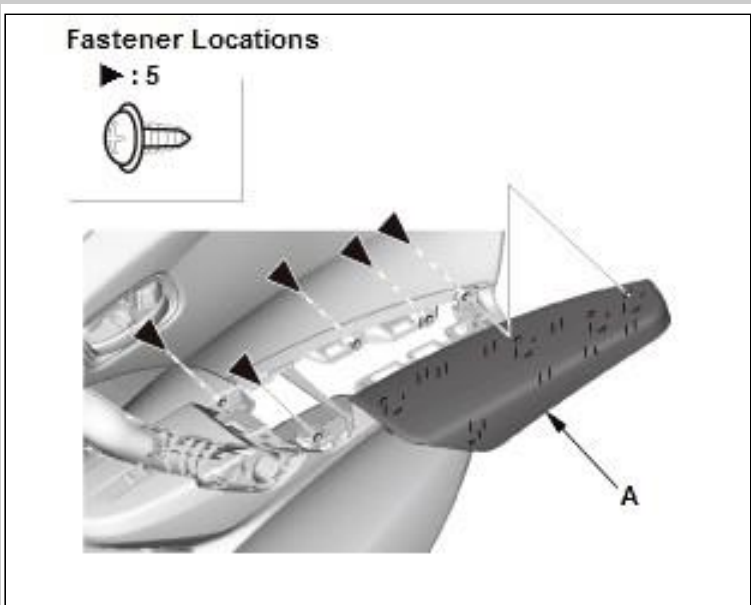
▶ : 4



3. Install the grip base (A).

Courtesy of HONDA, U.S.A., INC.

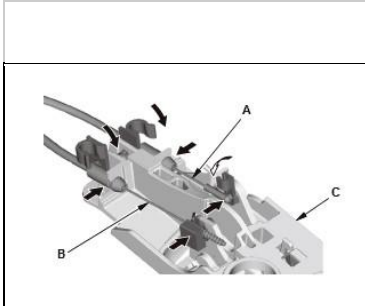
4. Front Door Armrest (Passenger's Side) - Install



1. Install the front door armrest (A).

Courtesy of HONDA, U.S.A., INC.

5. Front Door Inner handle - Install



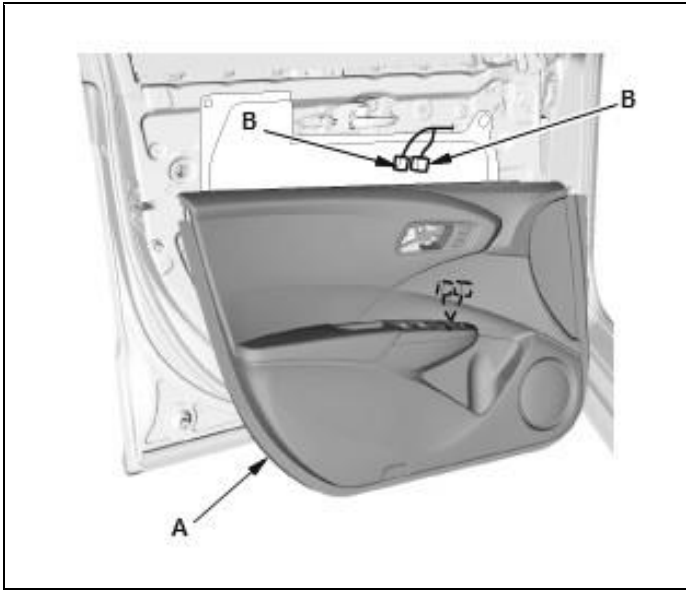
1. Connect the inner handle cable (A) and the latch cable (B) to the inner handle (C), and install the handle.

**NOTE:** If the latch cable and the inner handle cable are damaged or stresswhitened, replace them with new ones.

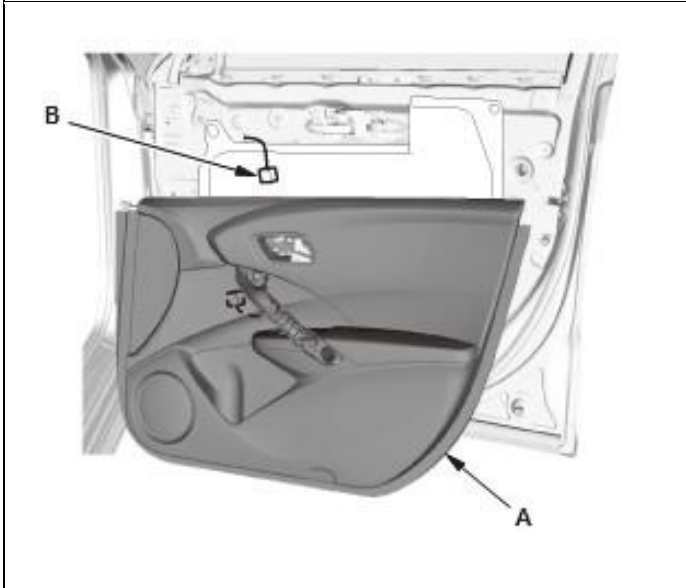
Courtesy of HONDA, U.S.A., INC.

6. Front Door Panel - Install

**Driver's door**

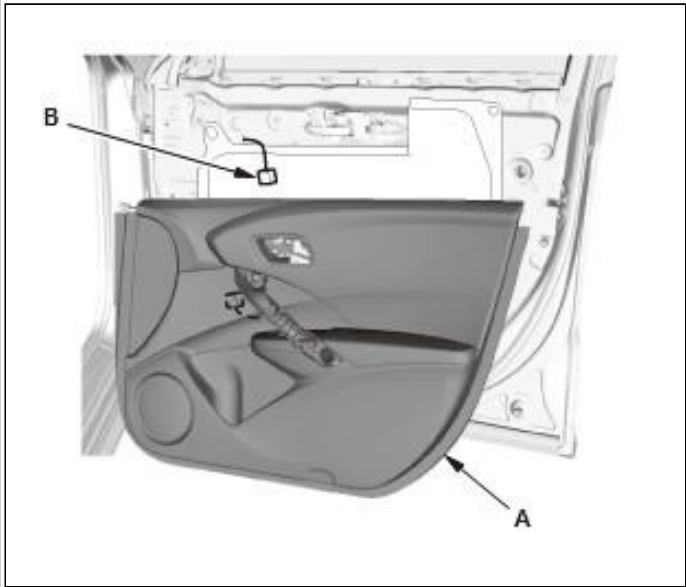
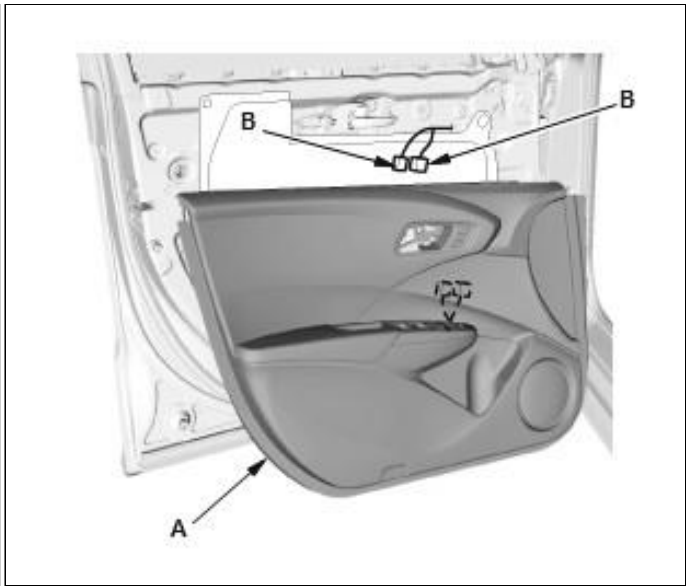


1. While holding the front door panel (A), connect the door subharness connector(s) (B).



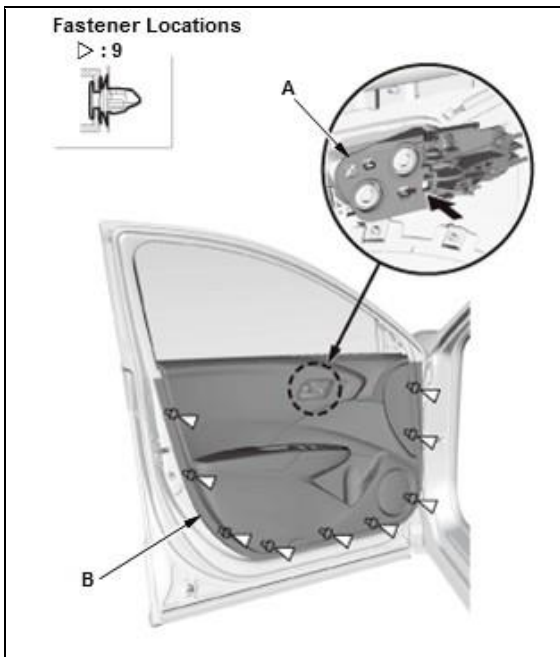
Courtesy of HONDA, U.S.A., INC. HONDA, U.S.A., INC.

**Passenger's door**



Courtesy of HONDA, U.S.A., INC. HONDA, U.S.A., INC.

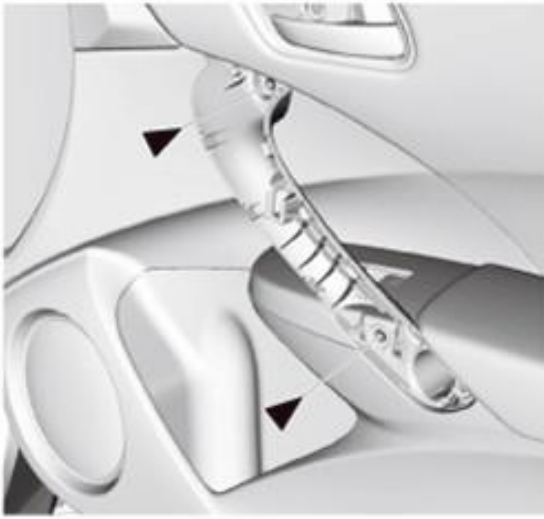
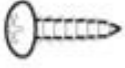
2. Set the inner handle (A) to the inside of the front doorpanel (B)
3. Install the front door panel.



Courtesy of HONDA, U.S.A., INC.

**Fastener Locations**

A ▶ : 2



4. Passenger's door: Install the screws (A ).

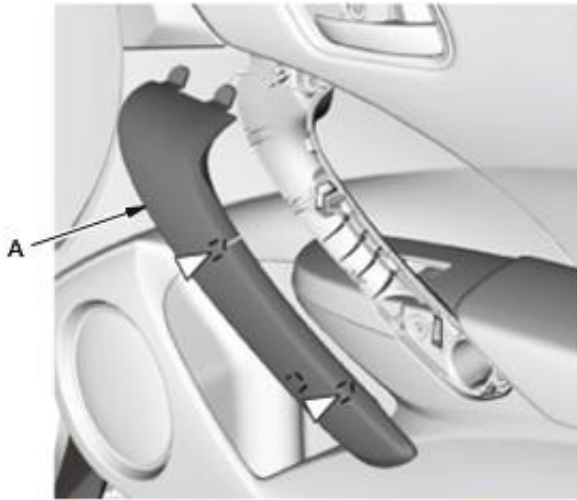
Courtesy of HONDA, U.S.A., INC.

5. Passenger's door: Install the grip cover (A).



**Fastener Locations**

▷ : 2



Courtesy of HONDA, U.S.A., INC.

**Fastener Location**

▶ : 1



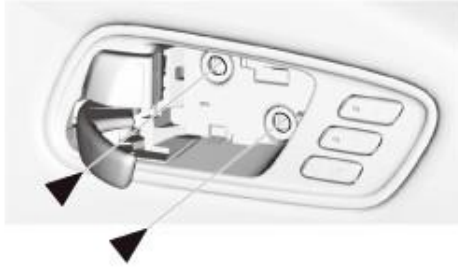
6. Driver's door: Install the pull pocket lid (A ).

Courtesy of HONDA, U.S.A., INC.

7. Install the screws (A) securing the front door inner handle.

**Fastener Locations**

A ▶ : 2



Courtesy of HONDA, U.S.A., INC.

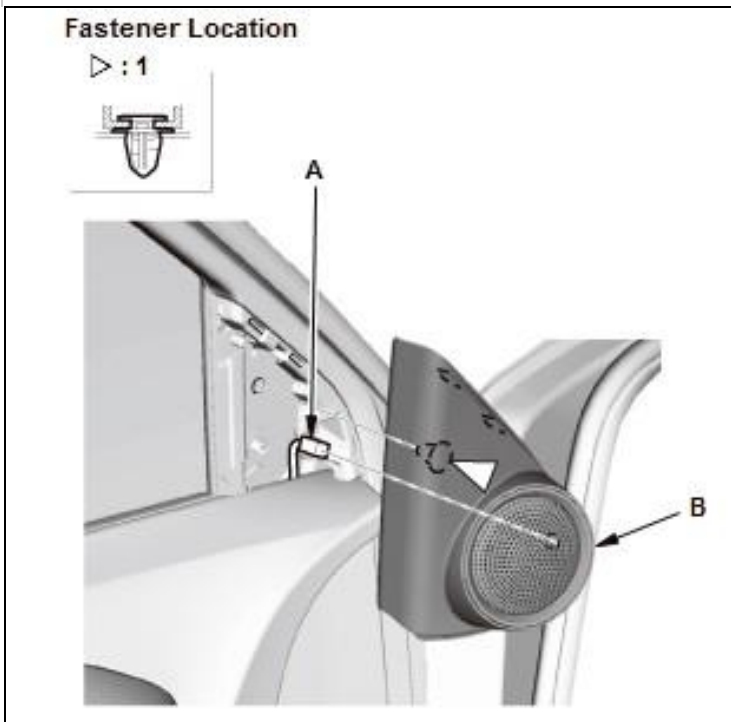


8. Install the inner handle cap (A).

Courtesy of HONDA, U.S.A., INC.

7. Tweeter Cover - Install

1. Connect the tweeter connector (A) 2. Install the tweeter cover (B).



Courtesy of HONDA, U.S.A., INC.

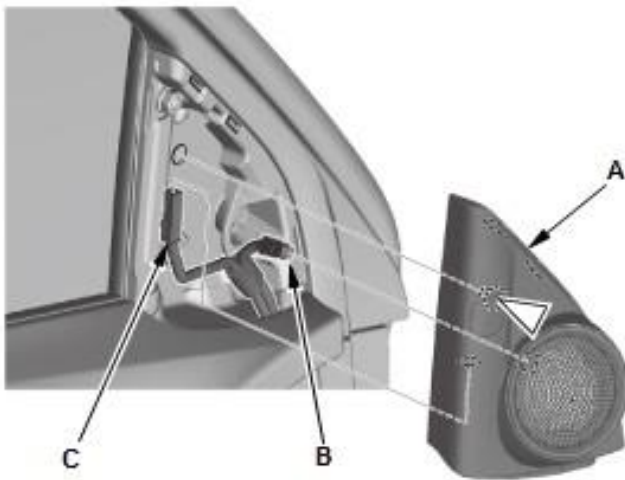
## REMOVAL & INSTALLATION > FRONT DOOR PANEL REMOVAL AND INSTALLATION(WITH BSI ALERT INDICATOR) (2016-18) > REMOVAL\_INSTALLATION

NOTE: If you replace the power window master switch or the front passenger's power window switch, reset the power window control unit .

1. Tweeter Cover - Remove

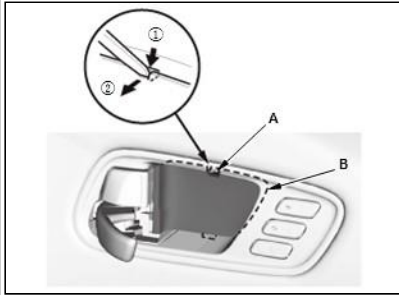
1. Remove the tweeter cover (A)
2. Disconnect the connectors (B, C).

**Fastener Location**



Courtesy of HONDA, U.S.A., INC.

## 2. Front Door Panel - Remove



1. Push on the upper hook (A) with the appropriate trim tool, then pull back the inner handle cap (B) to remove it.

Courtesy of HONDA, U.S.A., INC.

2. Remove the screws (A).

### Fastener Locations

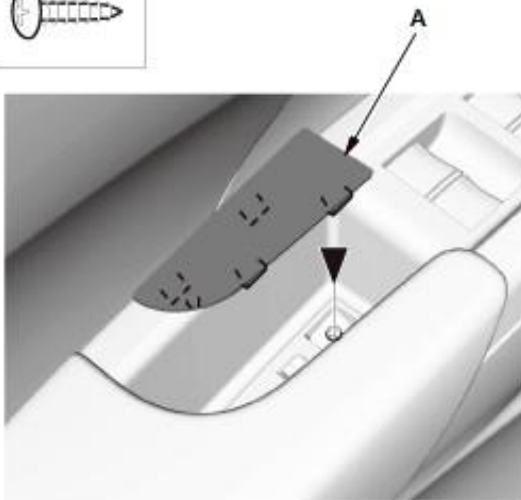
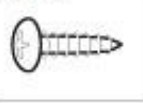
A ▶ : 2



Courtesy of HONDA, U.S.A., INC.

### Fastener Location

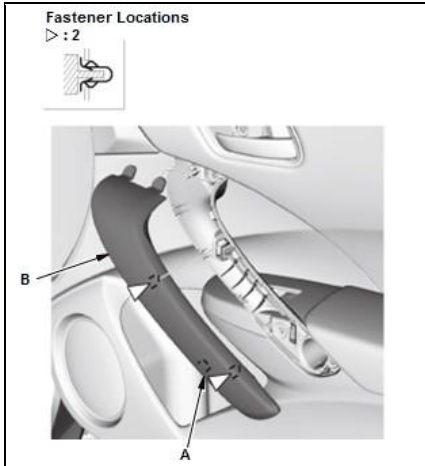
B ▶ : 1



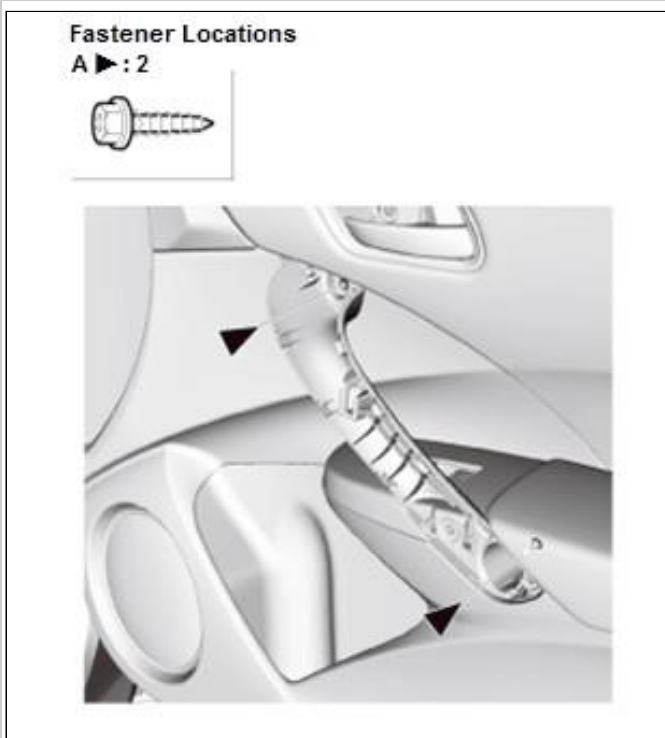
3. Driver's door: Remove the pull pocket lid ( A )
4. Driver's door: Remove the screw ( B ).

Courtesy of HONDA, U.S.A., INC.

5. Passenger's door: Insert a small flat-tip screwdriver into the notch (A), and remove the grip cover (B).



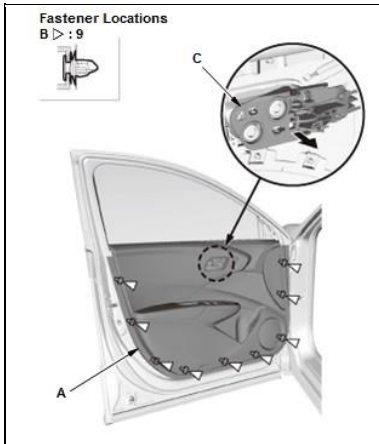
Courtesy of HONDA, U.S.A., INC.



Courtesy of HONDA, U.S.A., INC.

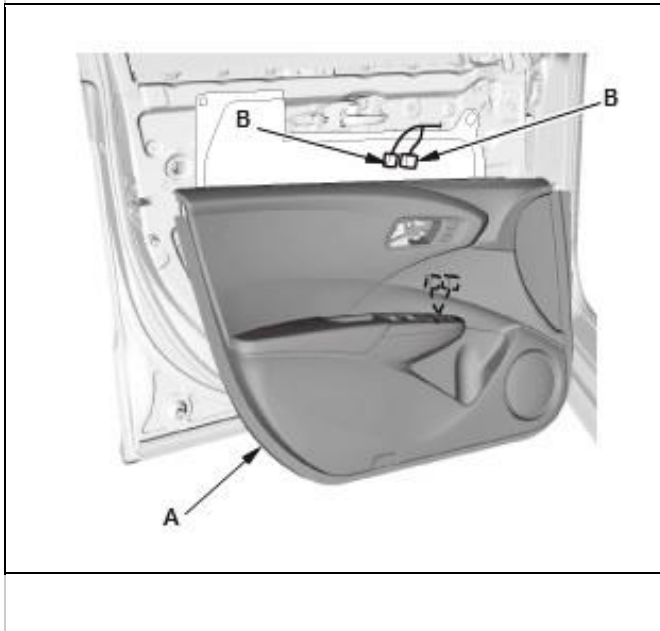
6. Passenger's door: Remove the screws (A ).

7. Start at the bottom edge of the front door panel (A), remove the clips (B) with a commercially available trim pad remover
8. Starting at the rear, pull the door panel upward
9. Release the inner handle (C) from the inside of the front door panel.



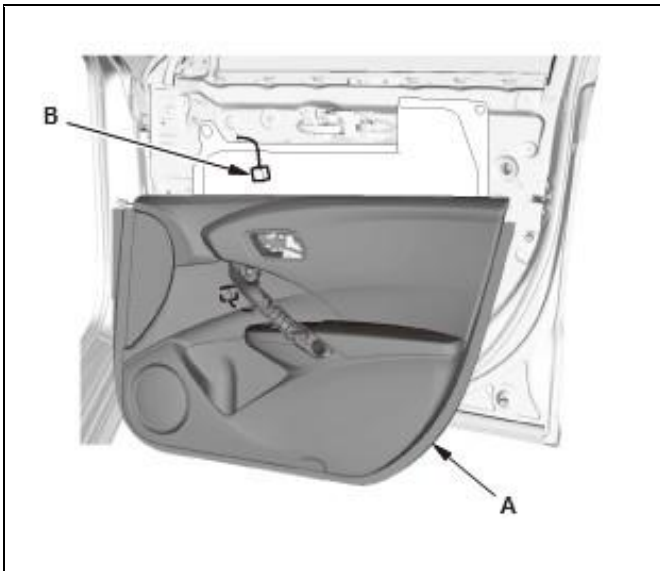
Courtesy of HONDA, U.S.A., INC.

#### Driver's door



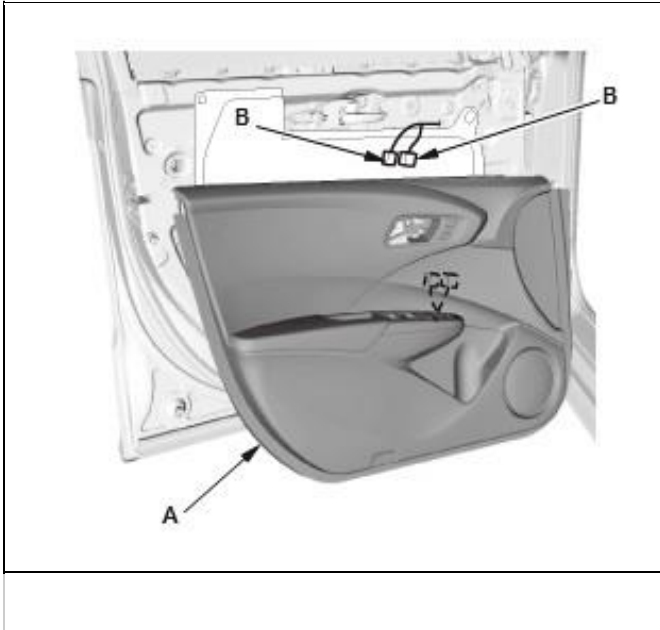
10. While holding the front door panel (A) away from the door, disconnect the connector(s) (B).

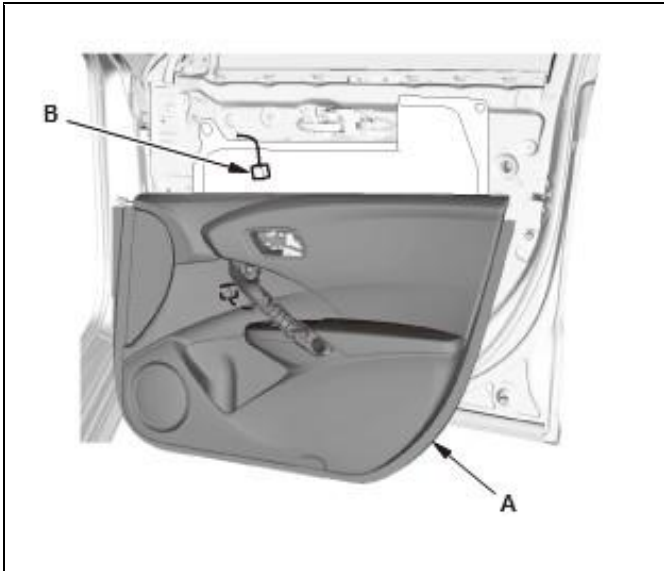




Courtesy of HONDA, U.S.A., INC. HONDA, U.S.A., INC.

### Passenger's door

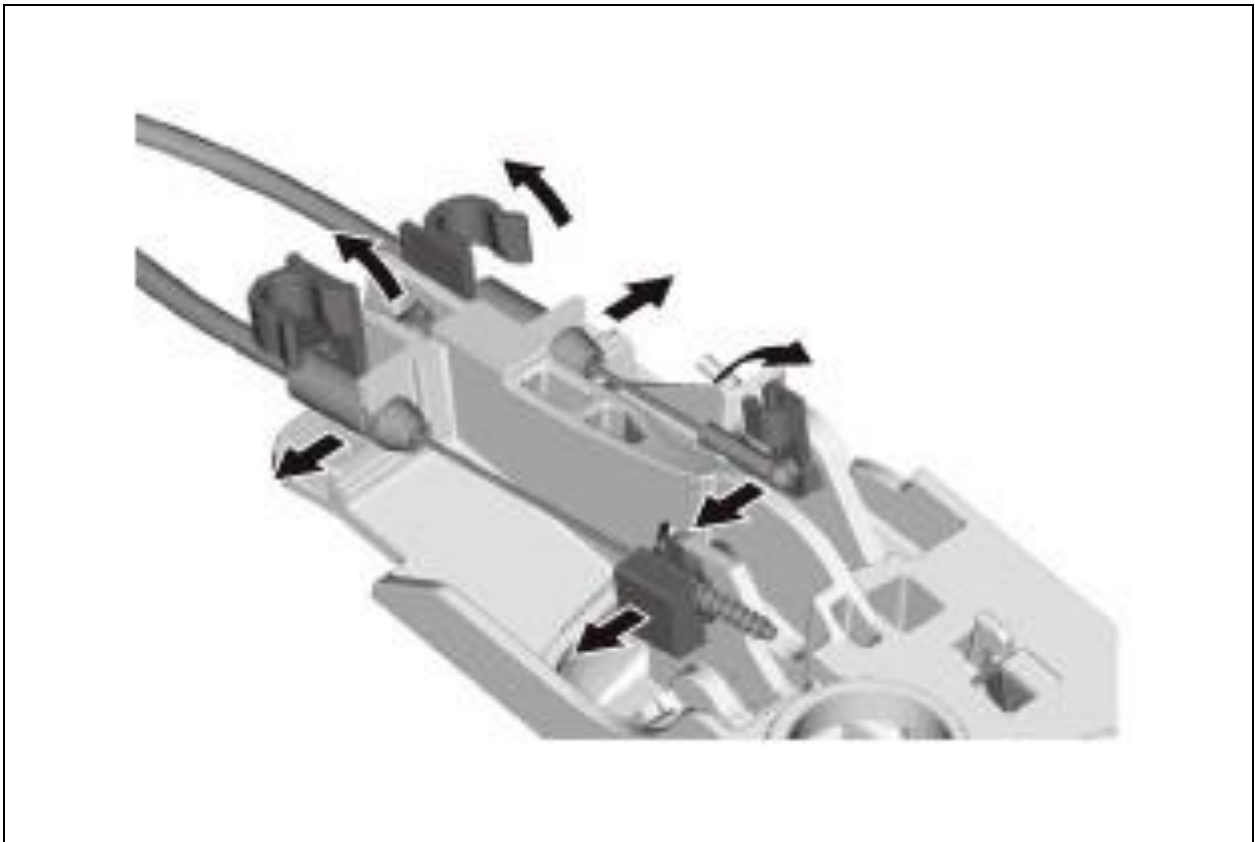




Courtesy of HONDA, U.S.A., INC. HONDA, U.S.A., INC.

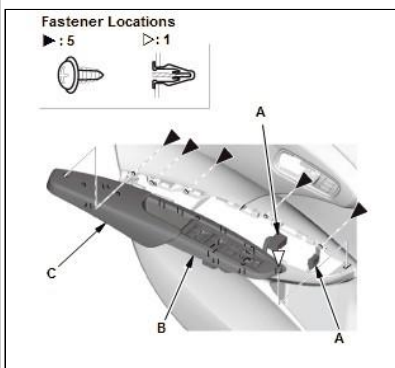
3. Front Door Inner handle - Remove





Courtesy of HONDA, U.S.A., INC.

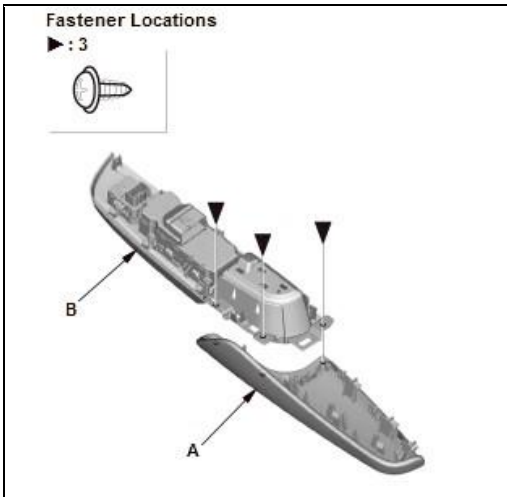
#### 4. Front Door Armrest/Power Window Switch Panel - Remove (Driver's Side)



Courtesy of HONDA, U.S.A., INC.

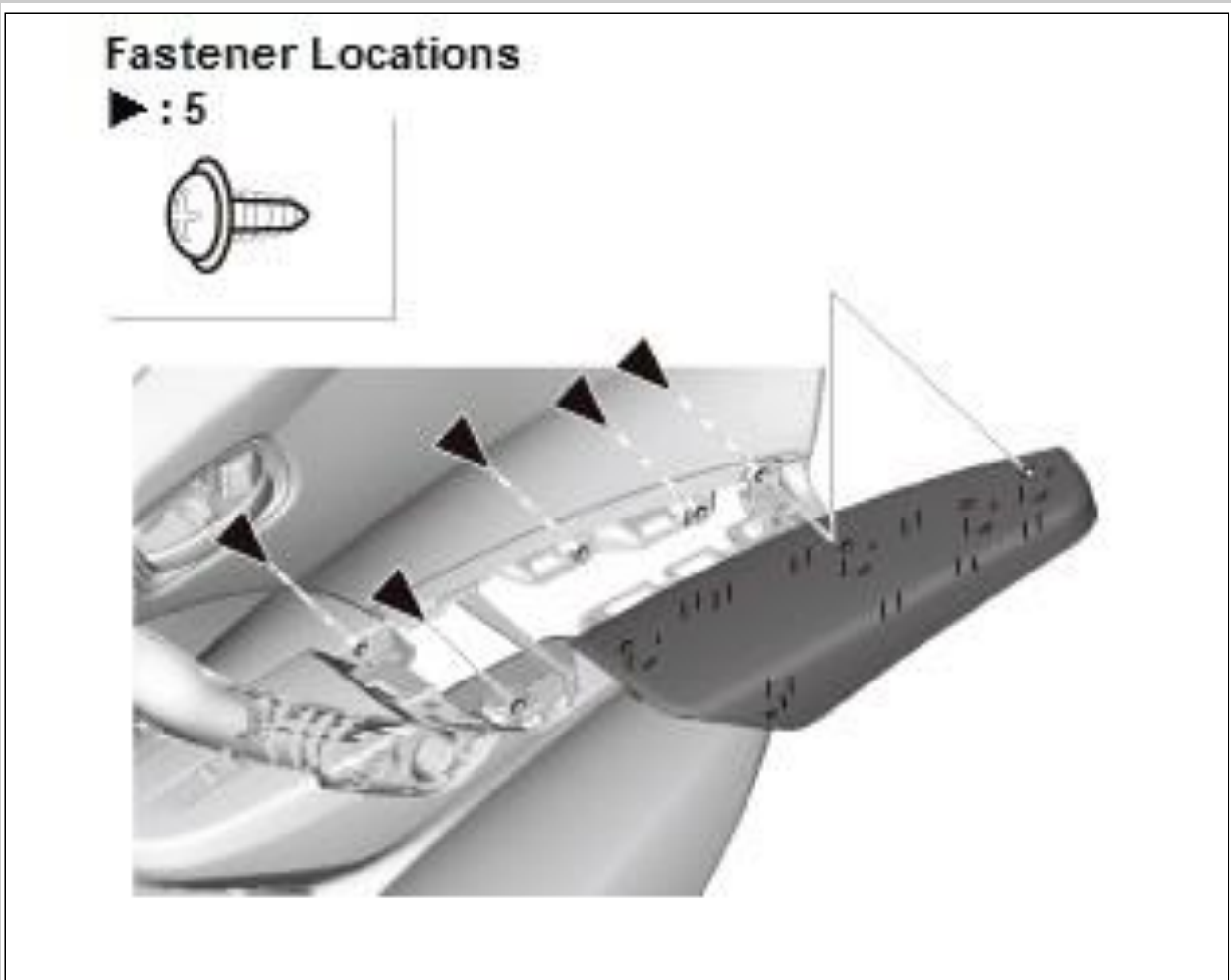
1. Disconnect the connectors (A )
2. Remove the power window switch panel (B) and the front door armrest (C) as an assembly from the door panel.

3. Remove the front door armrest (A) from the power window switch panel (B).



Courtesy of HONDA, U.S.A., INC.

5. Front Door Armrest - Remove (Passenger's Side)

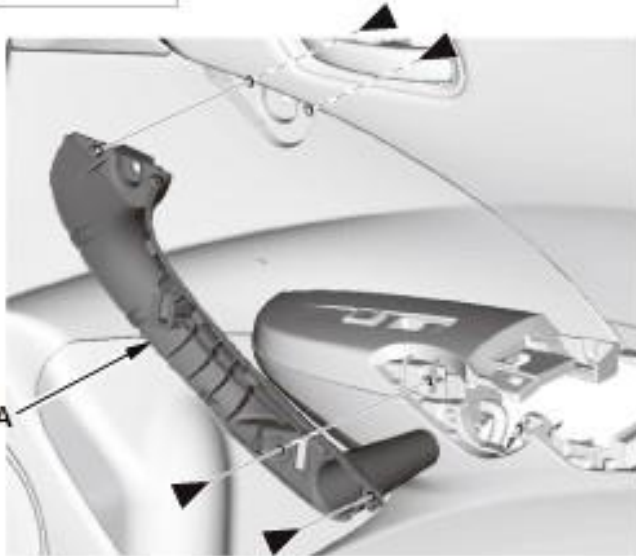
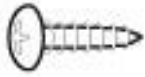


Courtesy of HONDA, U.S.A., INC.

6. Power Window Switch Panel - Remove (Passenger's Side)

### Fastener Locations

▶ : 4



1. Remove the grip base (A).

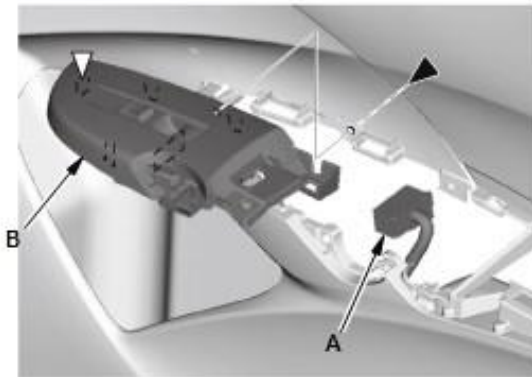
Courtesy of HONDA, U.S.A., INC.

### Fastener Locations

▶ : 1



▷ : 1



2. Disconnect the connector (A)
3. Remove the power window switch panel (B).

Courtesy of HONDA, U.S.A., INC.

7. Front Door Inner Weatherstrip - Remove



Courtesy of HONDA, U.S.A., INC.

#### 8. All Removed Parts - Install

1. Install the parts in the reverse order of removal.

### **REMOVAL & INSTALLATION > FRONT DOOR SASH INNER TRIM REMOVAL AND INSTALLATION (2013-18) > REMOVAL**

#### 1. Front Door Panel - Remove

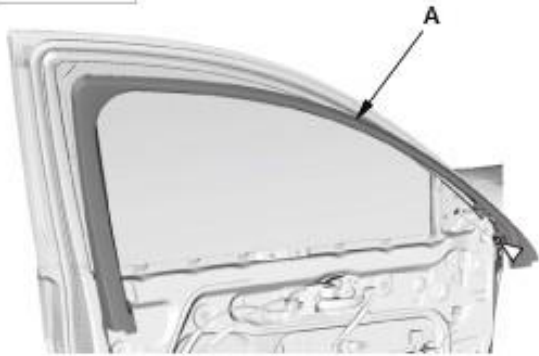
1. Remove the front door panel - Refer to: Front Door Panel Removal and Installation (2013-18), or Front Door Panel Removal and Installation(With BSI Alert Indicator) (2016-18) .

#### 2. Front Door Sash Inner Trim - Remove

1. Remove the front door sash inner trim (A).

**Fastener Location**

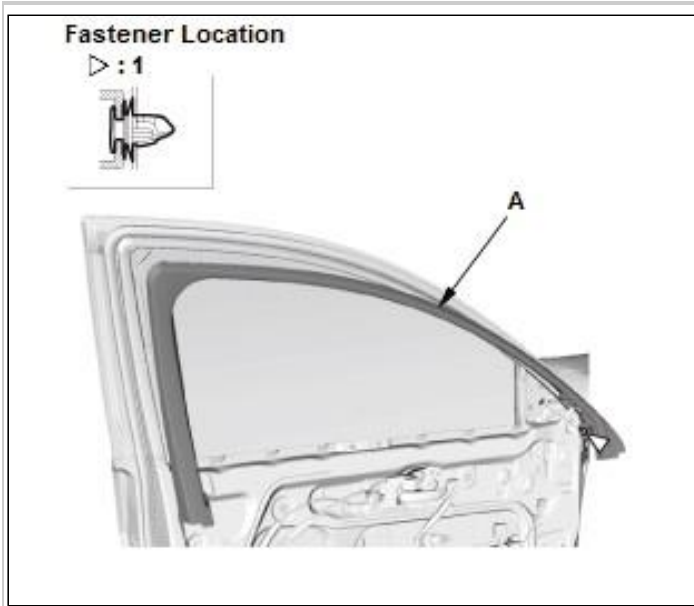
▷ : 1



Courtesy of HONDA, U.S.A., INC.

**REMOVAL & INSTALLATION > FRONT DOOR SASH INNER TRIM REMOVAL AND  
INSTALLATION (2013-18) > INSTALLATION**

1. Front Door Sash Inner Trim - Install



1. Install the front door sash inner trim (A ).

Courtesy of HONDA, U.S.A., INC.

2. Front Door Panel - Install

1. Install the front door panel - Refer to: Front Door Panel Removal and Installation (2013-18), or Front Door Panel Removal and Installation(With BSI Alert Indicator) (2016-18) .

**REMOVAL & INSTALLATION > FRONT DOOR SASH OUTER TRIM REMOVAL AND INSTALLATION (2013-18) > REMOVAL**

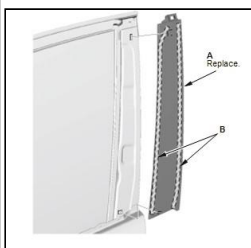
1. Front Door Outer Molding - Remove

1. Remove the front door outer molding .

2. Front Door Glass Outer Weatherstrip - Remove

1. Remove the front door glass outer weatherstrip .

3. Front Door Sash Outer Trim - Remove



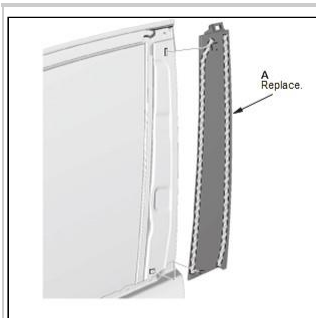
1. Pull out the upper edge of the front door sash outer trim (A) from the edge of the sash, and cut the double-sided adhesive tapes (B) with a utility knife, then remove the front door sash outer trim from the sash.

Courtesy of HONDA,  
U.S.A., INC.



## REMOVAL & INSTALLATION > FRONT DOOR SASH OUTER TRIM REMOVAL AND INSTALLATION (2013-18) > INSTALLATION

### 1. Front Door Sash Outer Trim - Install



Courtesy of HONDA, U.S.A., INC.

1. Carefully remove the remaining double-sided adhesive tapes from the sash, then clean the sash surface with a shop towel dampened with isopropyl alcohol
2. Install the new front door sash outer trim (A ).

### 2. Front Door Glass Outer Weatherstrip - Install

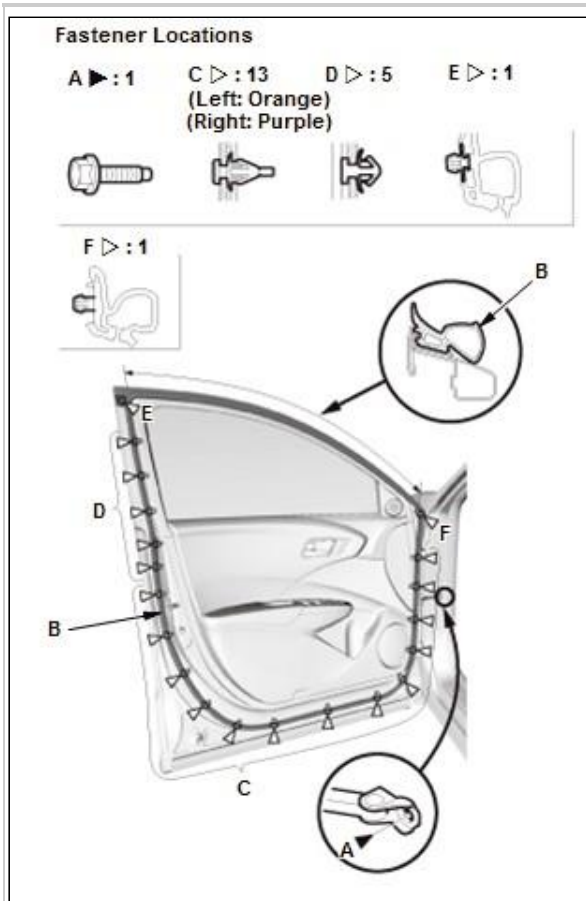
1. Install the front door glass outer weatherstrip .

### 3. Front Door Outer Molding - Install

1. Install the front door outer molding .

## REMOVAL & INSTALLATION > FRONT DOOR WEATHERSTRIP REMOVAL AND INSTALLATION (2013-18) > REMOVAL

## 1. Front Door Weatherstrip - Remove



Courtesy of HONDA, U.S.A., INC.

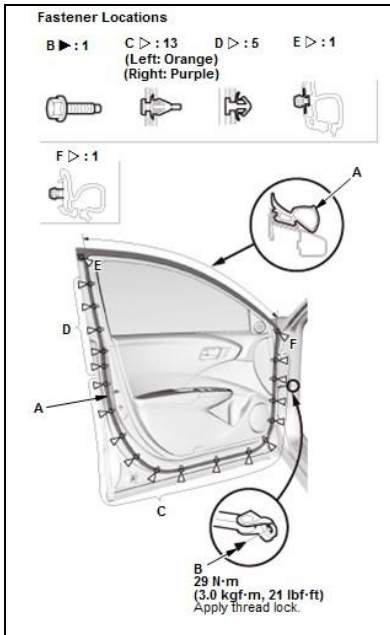
1. Remove the door checker mounting bolt (A) at the A-pillar
2. Remove the front door weatherstrip (B).

## REMOVAL & INSTALLATION > FRONT DOOR WEATHERSTRIP REMOVAL AND INSTALLATION (2013-18) > INSTALLATION

### 1. Front Door Weatherstrip - Install

1. Install the front door weatherstrip (A)
2. Install the door checker mounting bolt (B) at the A-pillar.

**NOTE:** Apply medium strength liquid thread lock to the door checker mounting bolt before installation.



Courtesy of HONDA, U.S.A., INC.

## 2. Water Leaks - Check

1. Check for water leaks .