

## CENTER CONSOLE > CENTER CONSOLE DISASSEMBLY AND REASSEMBLY (2013-15) > DISASSEMBLY

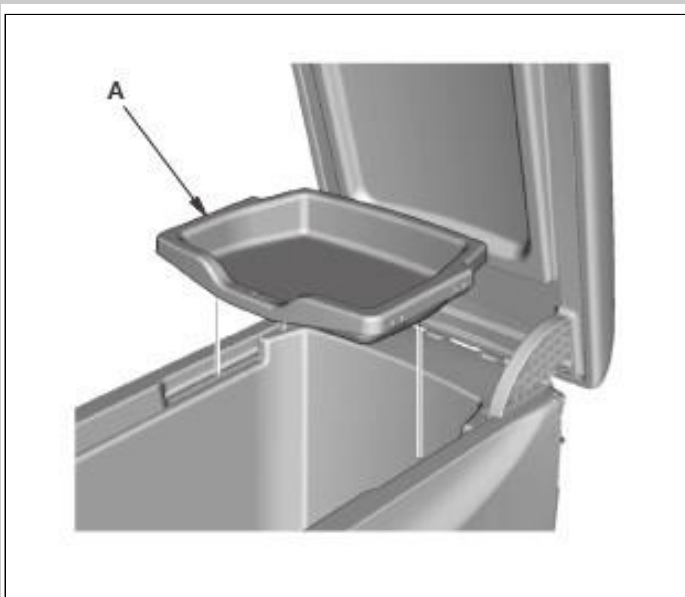
### 1. Center Console - Remove

1. Remove the center console .

### 2. Center Console Side Cover - Remove

1. Remove the center console side cover .

### 3. Center Console Box Tray - Remove



1. Remove the center console box tray (A) .

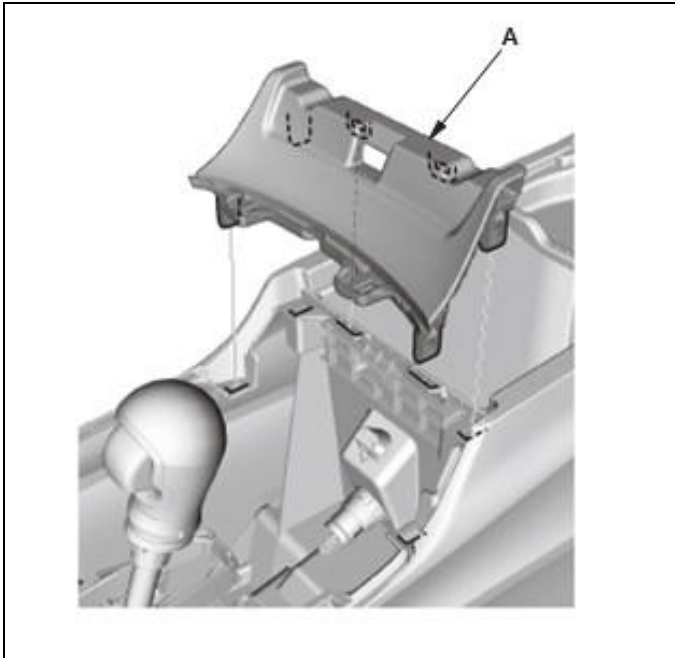
Courtesy of HONDA, U.S.A., INC.

### 4. Center Console Armrest - Remove

1. Remove the center console armrest .

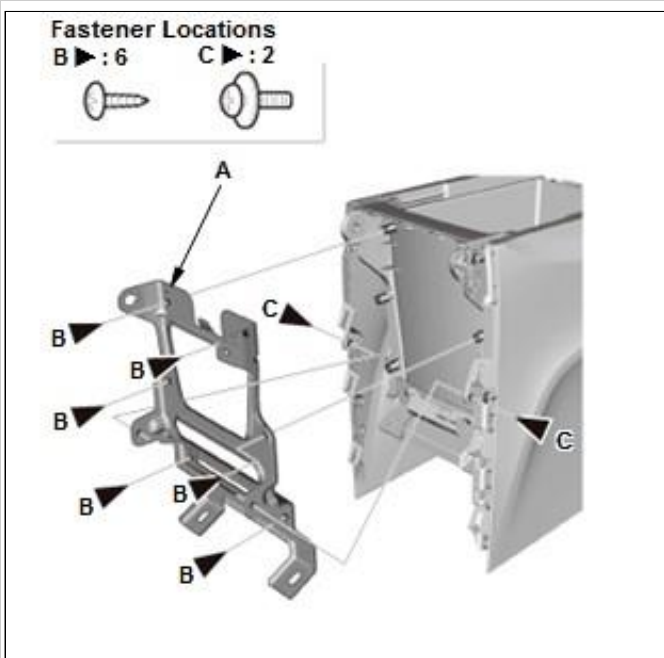
### 5. Center Console Center Trim - Remove

1. Remove the center console center trim (A).



Courtesy of HONDA, U.S.A., INC.

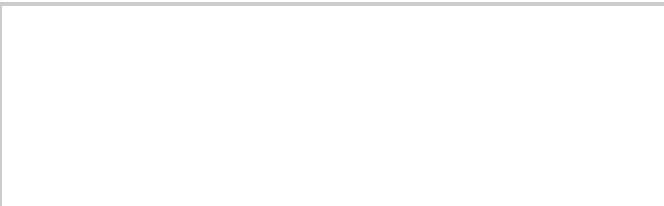
6. Center Console Box Bracket - Remove



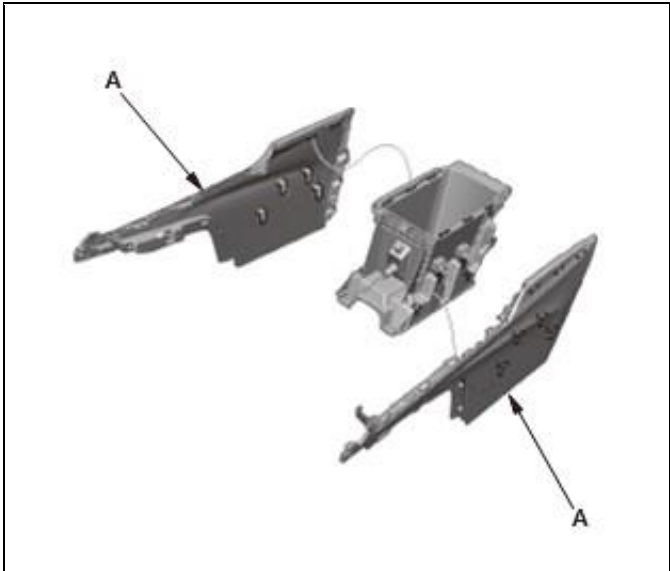
Courtesy of HONDA, U.S.A., INC.

1. Remove the center console box bracket (A).

7. Center Console Side Panel - Remove

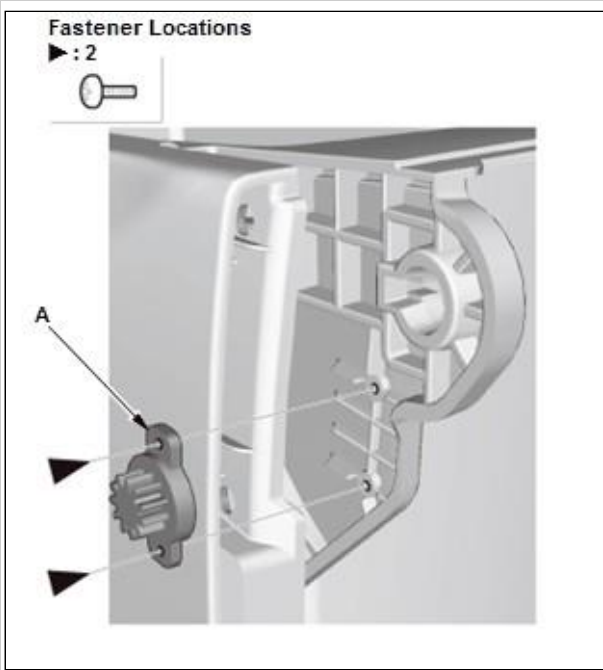


1. Remove the center console side panels (A).



Courtesy of HONDA, U.S.A., INC.

8. Center Console Armrest Hinge Damper - Remove



Courtesy of HONDA, U.S.A., INC.

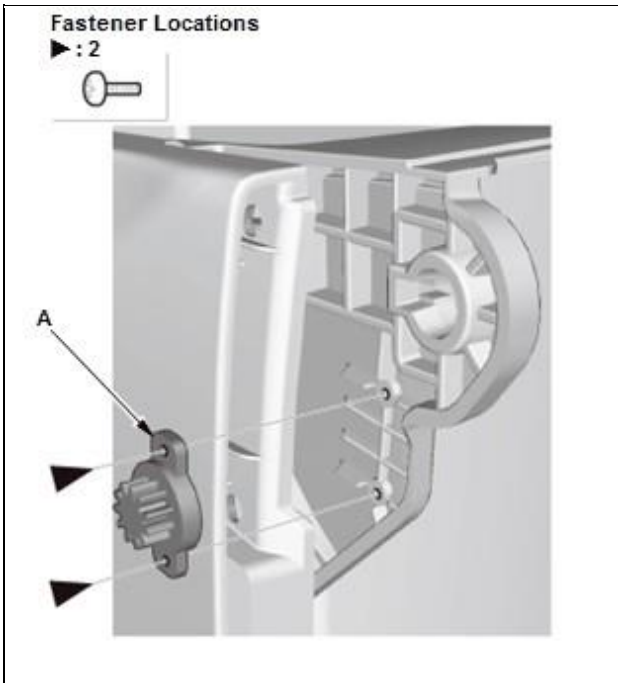
1. Remove the center console armrest hinge damper (A).

**CENTER CONSOLE > CENTER CONSOLE DISASSEMBLY AND REASSEMBLY (2013-15)  
> REASSEMBLY**

1. Center Console Armrest Hinge Damper - Install



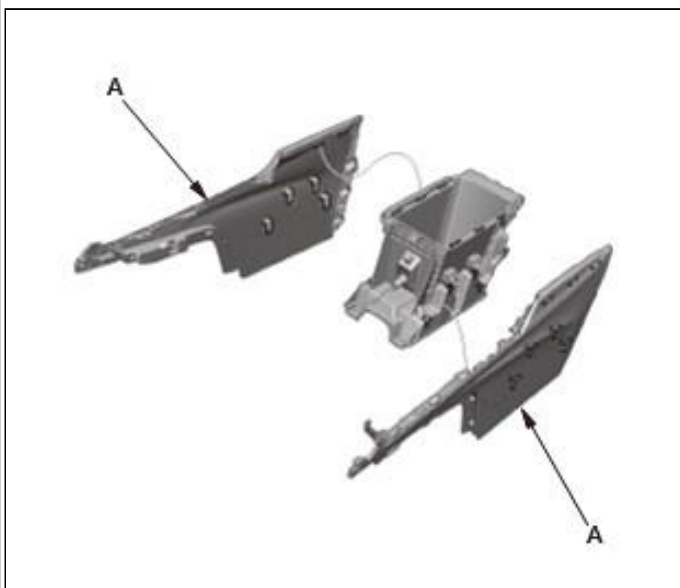
1. Install the center console armrest hinge damper



(A).

Courtesy of HONDA, U.S.A., INC.

2. Center Console Side Panel - Install

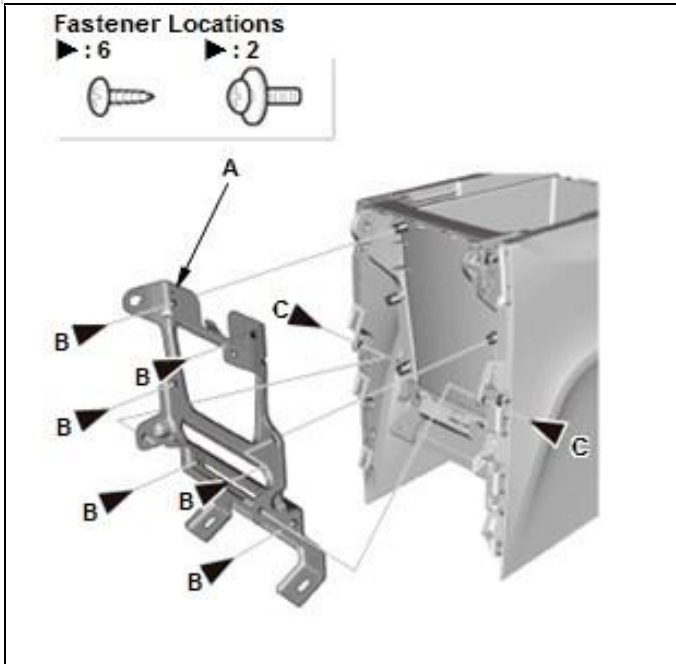


1. Install the center console side panels (A ).

Courtesy of HONDA, U.S.A., INC.

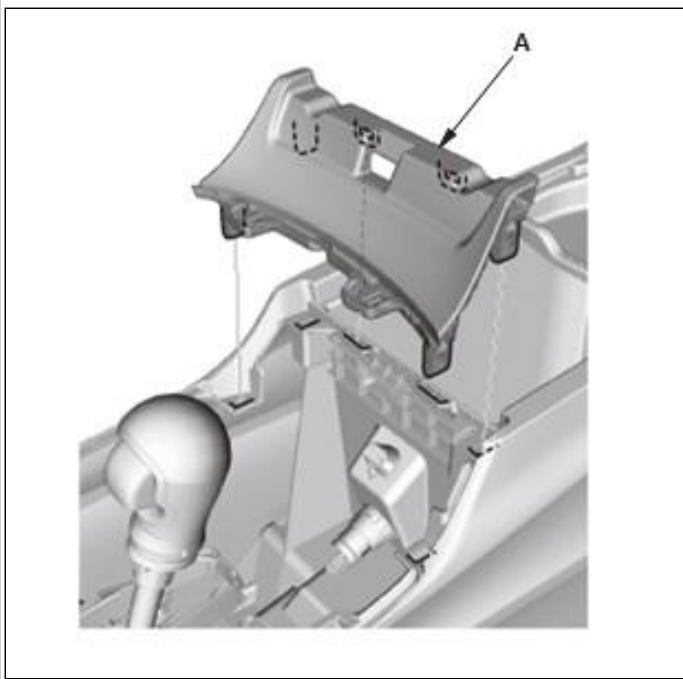
3. Center Console Box Bracket - Install

1. Install the center console box bracket (A).



Courtesy of HONDA, U.S.A., INC.

#### 4. Center Console Center Trim - Install



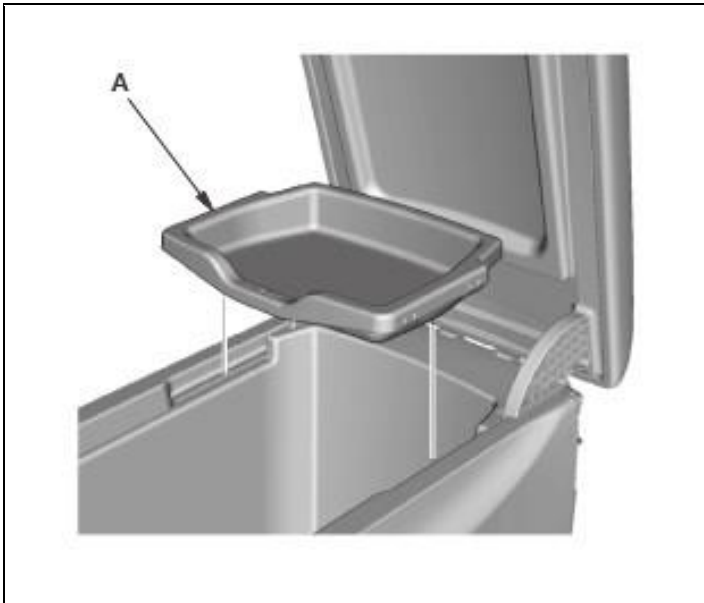
Courtesy of HONDA, U.S.A., INC.

1. Install the center console center trim (A).

#### 5. Center Console Armrest - Install

1. Install the center console armrest .

#### 6. Center Console Box Tray - Install



Courtesy of HONDA, U.S.A., INC.

1. Install the center console box tray (A).

#### 7. Center Console Side Cover - Install

1. Install the center console side cover .

8. Center Console - Install

1. Install the center console .

**CENTER CONSOLE > CENTER CONSOLE DISASSEMBLY AND REASSEMBLY (2016-18)  
> DISASSEMBLY\_REASSEMBLY**

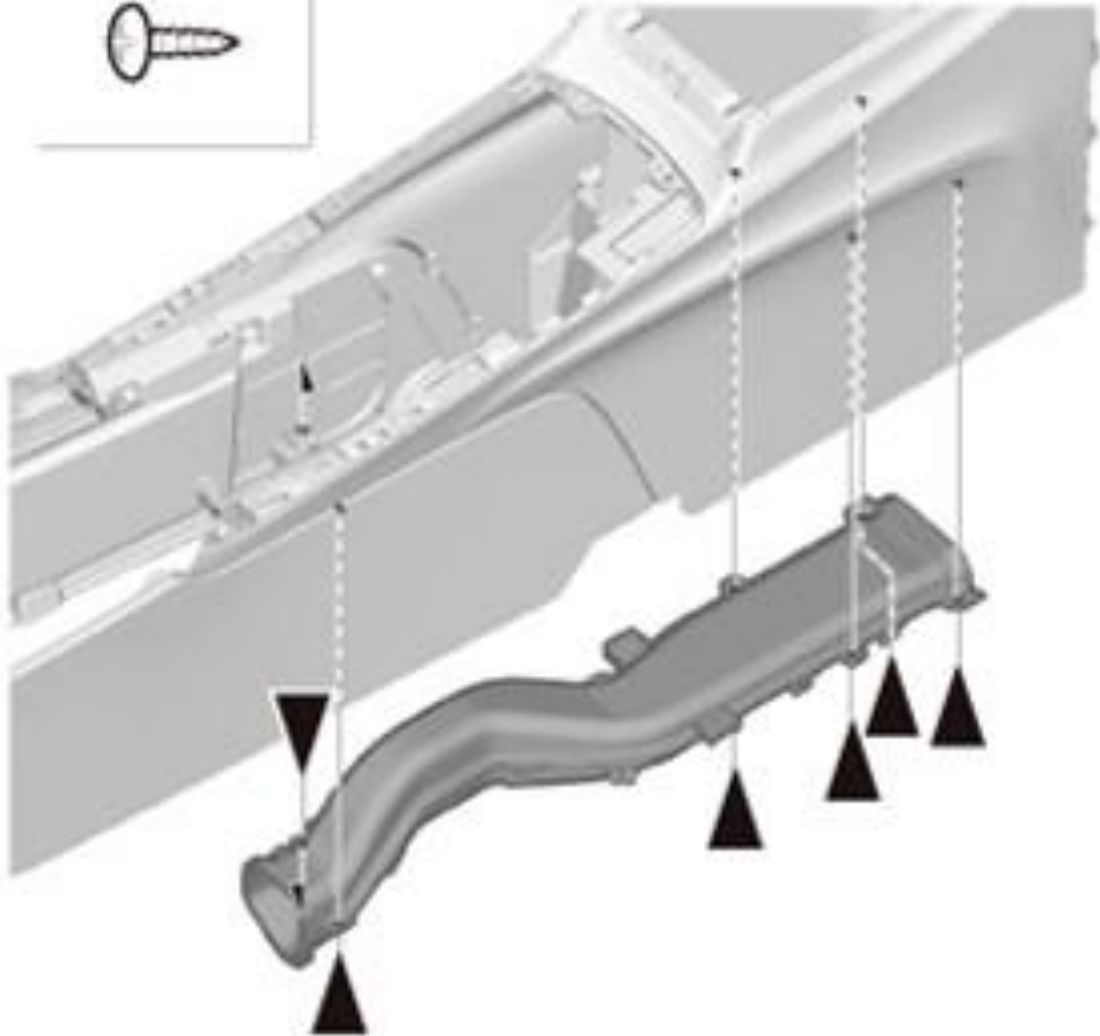
**Center Console Front Duct**

1. Center Console - Remove
2. Center Console Front Duct - Remove



## Fastener Locations

▶ : 6



Courtesy of HONDA, U.S.A., INC.

### 3. All Removed Parts - Install

1. Install the parts in the reverse order of removal.

### Center Console Box Tray

### 4. Center Console Box Tray - Remove





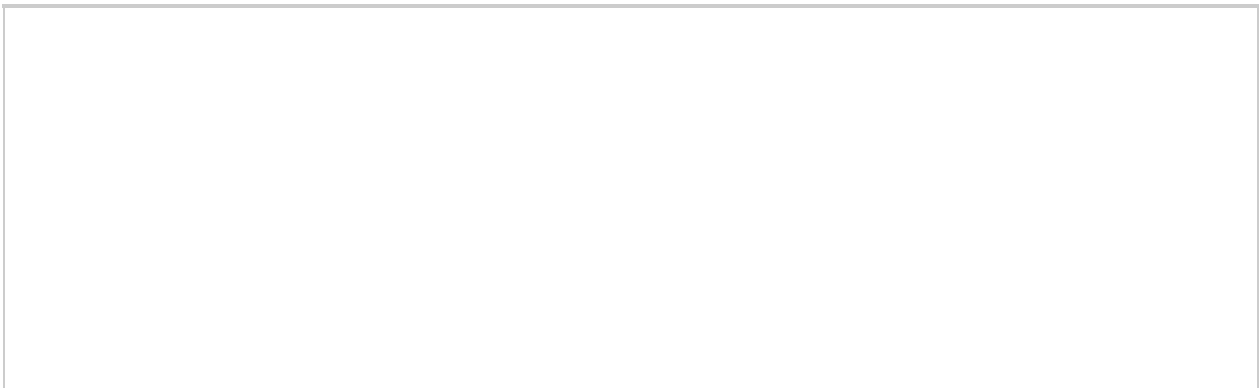
Courtesy of HONDA, U.S.A., INC.

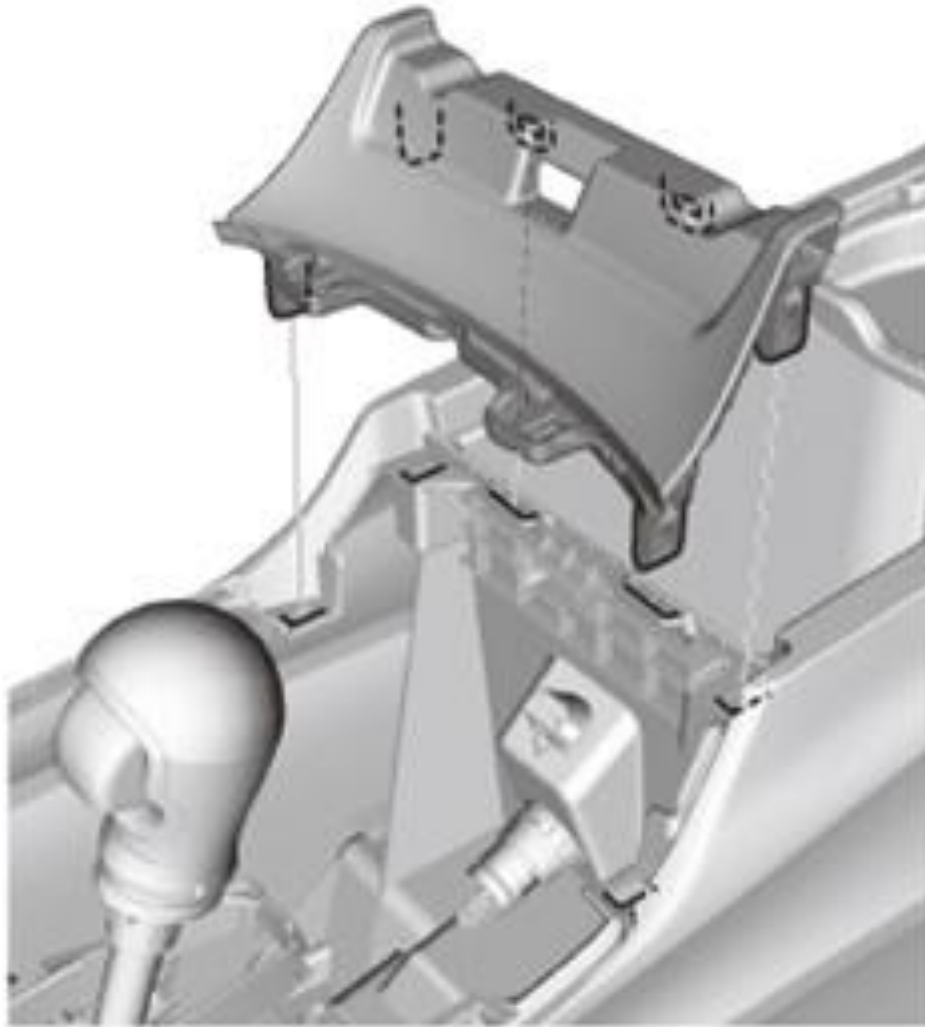
5. All Removed Parts - Install

1. Install the parts in the reverse order of removal.

**Center Console Center Trim**

6. Center Console Panel - Remove
7. Center Console Center Trim - Remove





Courtesy of HONDA, U.S.A., INC.

8. All Removed Parts - Install

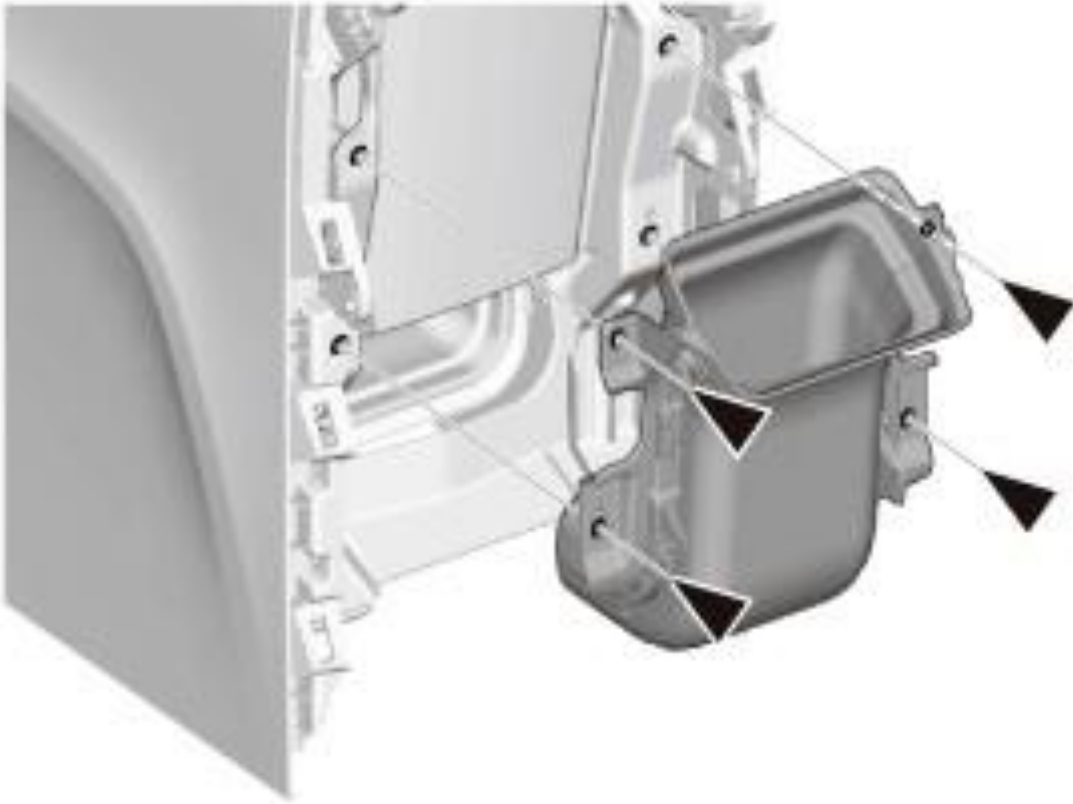
1. Install the parts in the reverse order of removal.

**Center Console Armrest Hinge Damper**

9. Center Console Side Cover - Remove
10. Center Console Armrest - Remove
11. Center Console - Remove
12. Center Console Rear Duct - Remove

## Fastener Locations

▶ : 4

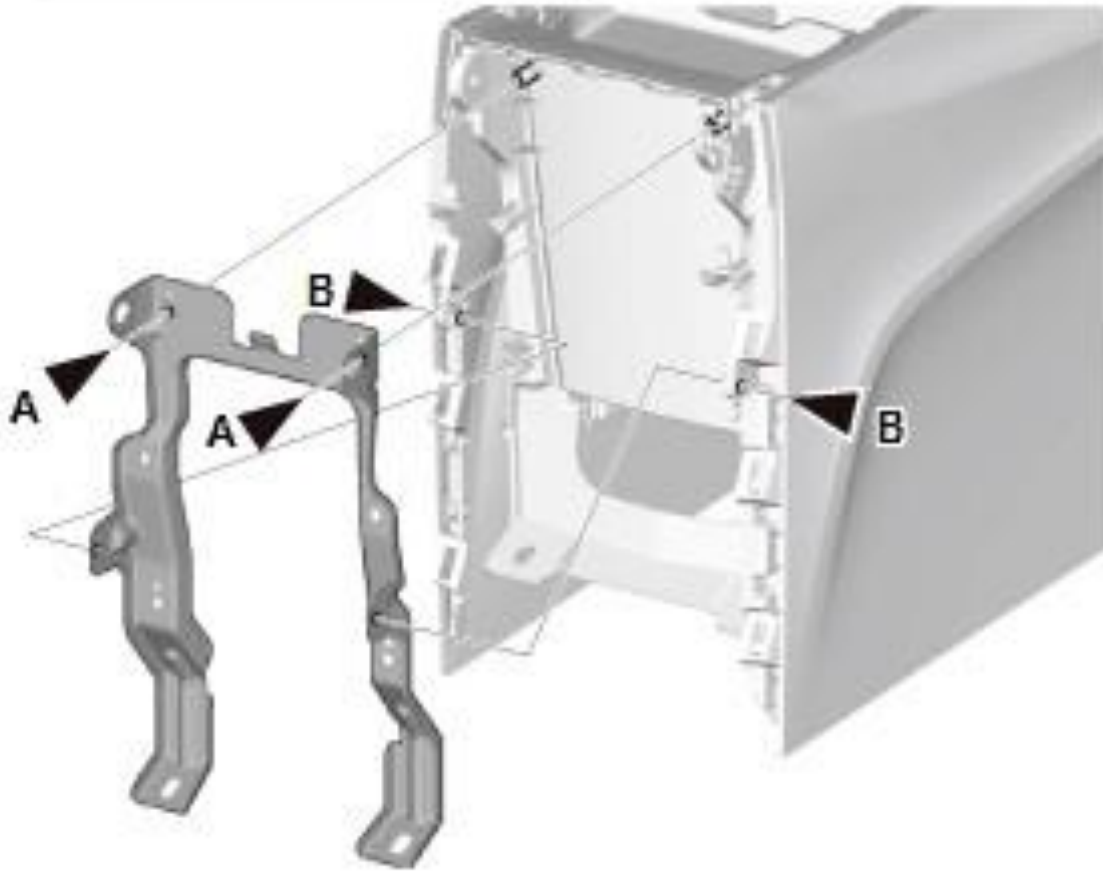


Courtesy of HONDA, U.S.A., INC.

13. Center Console Box Bracket - Remove

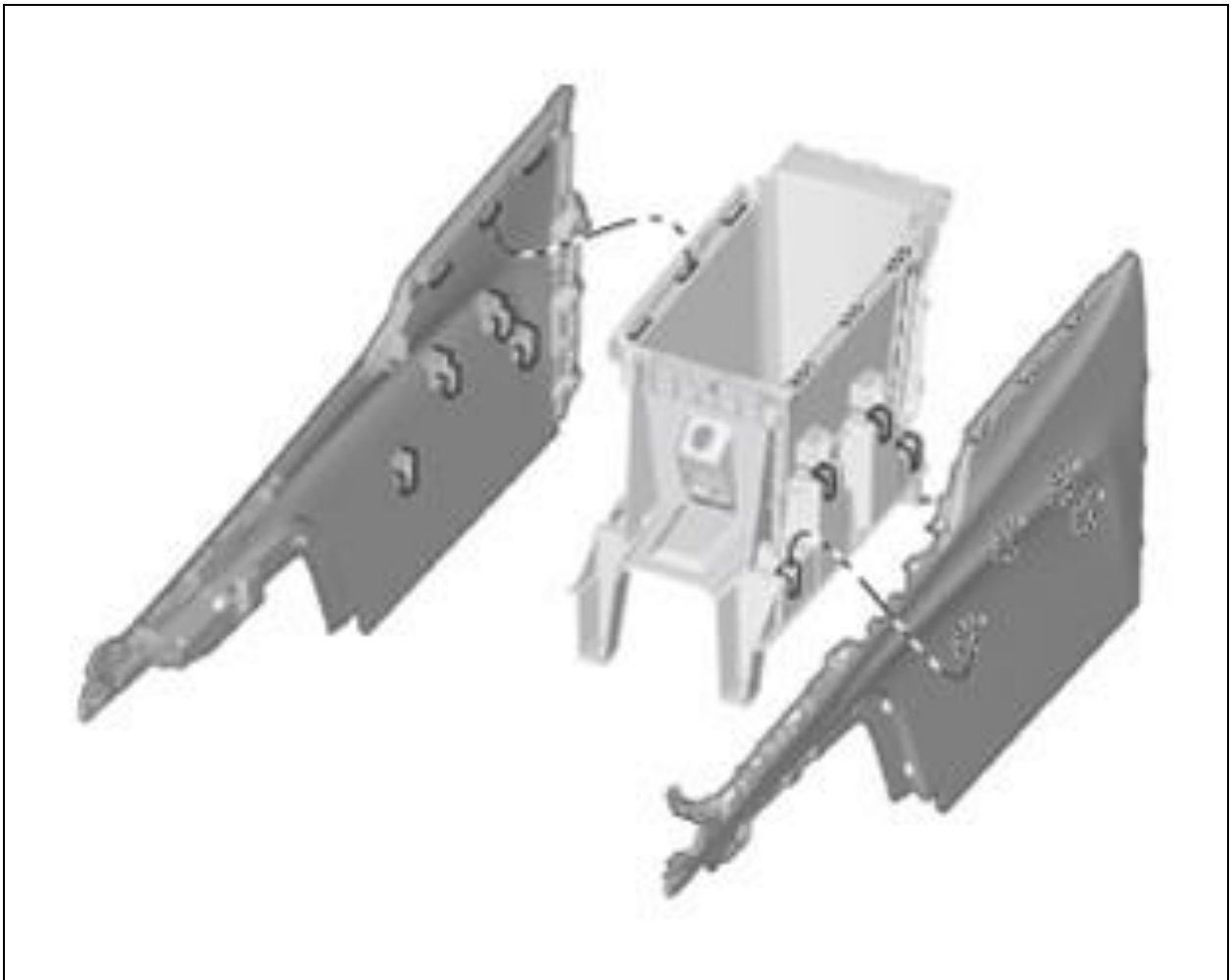
### Fastener Locations

A ▶ : 2      B ▶ : 2



Courtesy of HONDA, U.S.A., INC.

### 14. Center Console Side Panel - Remove

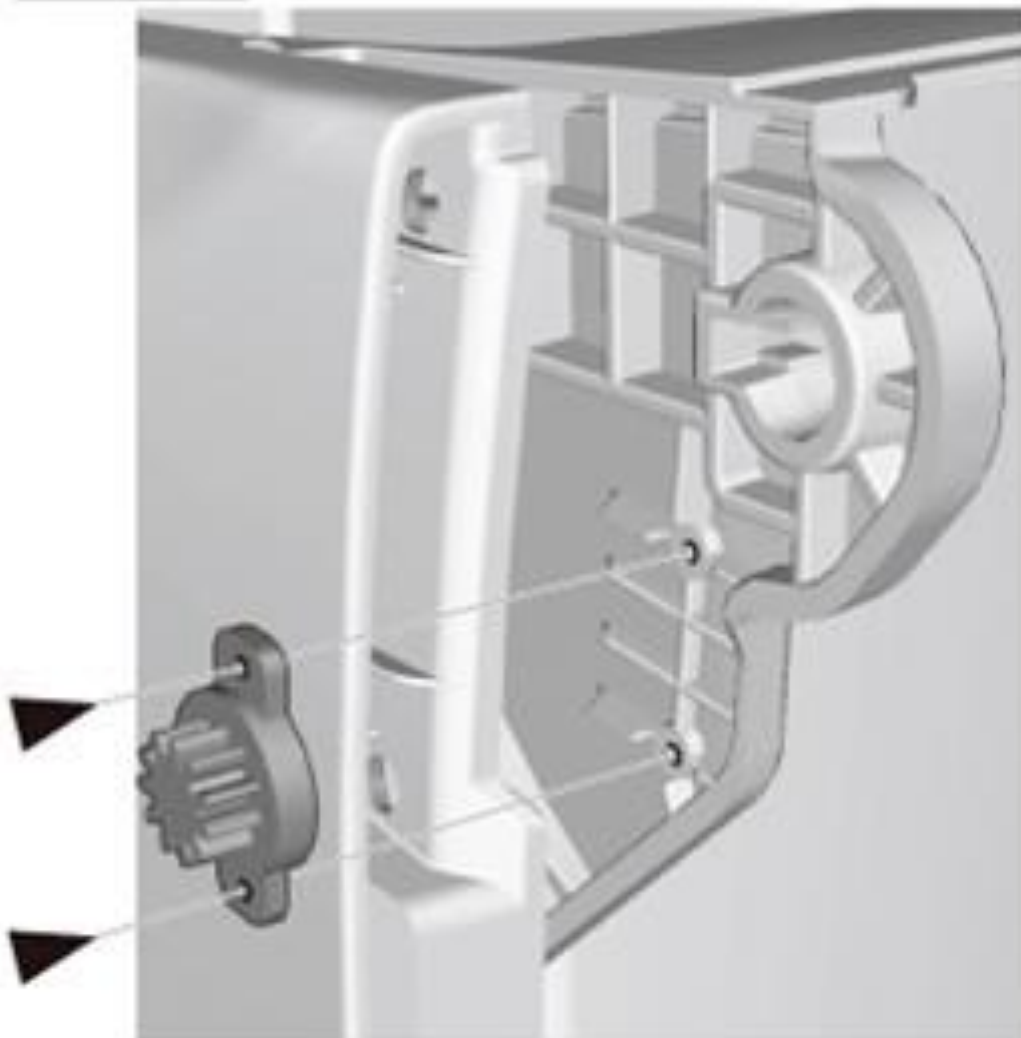


Courtesy of HONDA, U.S.A., INC.

15. Center Console Armrest Hinge Damper - Remove

## Fastener Locations

▶ : 2



Courtesy of HONDA, U.S.A., INC.

### 16. All Removed Parts - Install

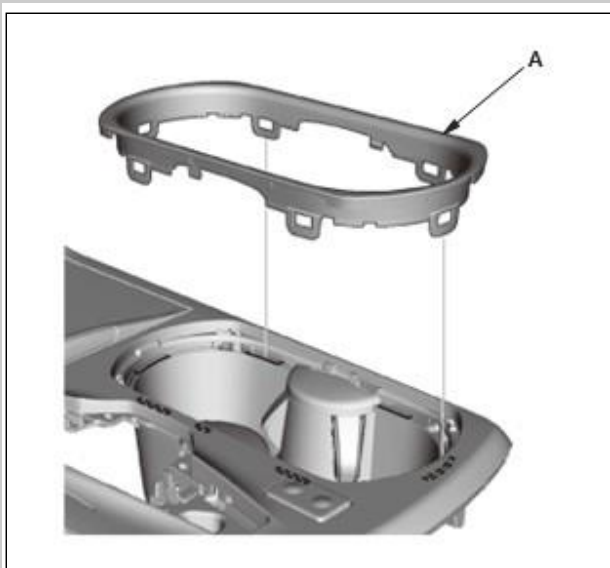
1. Install the parts in the reverse order of removal.

## CENTER CONSOLE > CENTER CONSOLE PANEL DISASSEMBLY AND REASSEMBLY (2013-18) > DISASSEMBLY

### 1. Center Console Panel - Remove

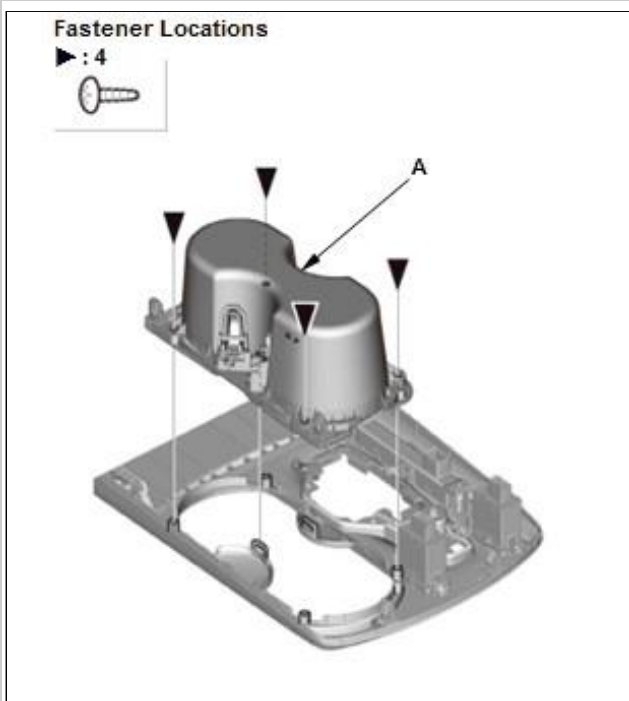
1. Remove the center console panel .

## 2. Center Console Beverage Holder - Remove



1. Remove the center console beverage holder ring (A).

Courtesy of HONDA, U.S.A., INC.

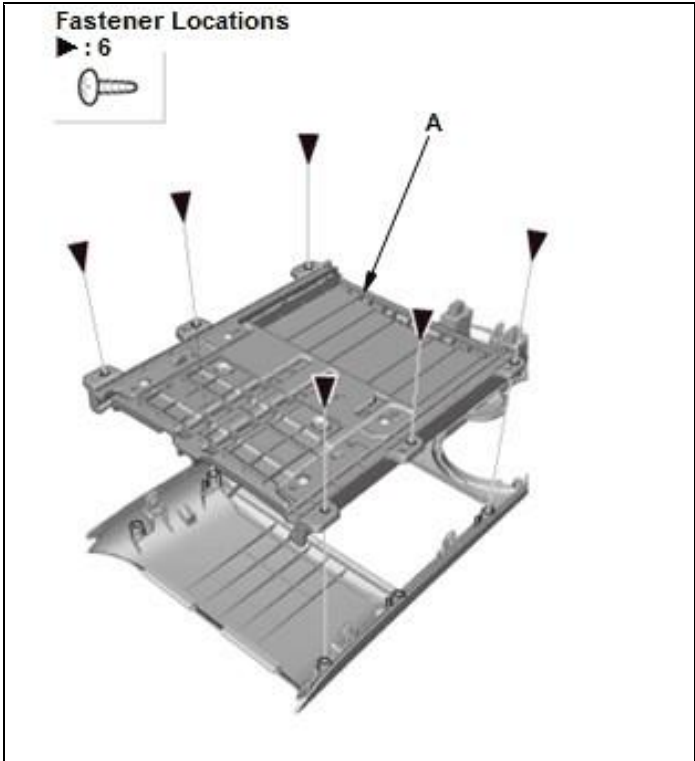


2. Remove the center console beverage holder (A).

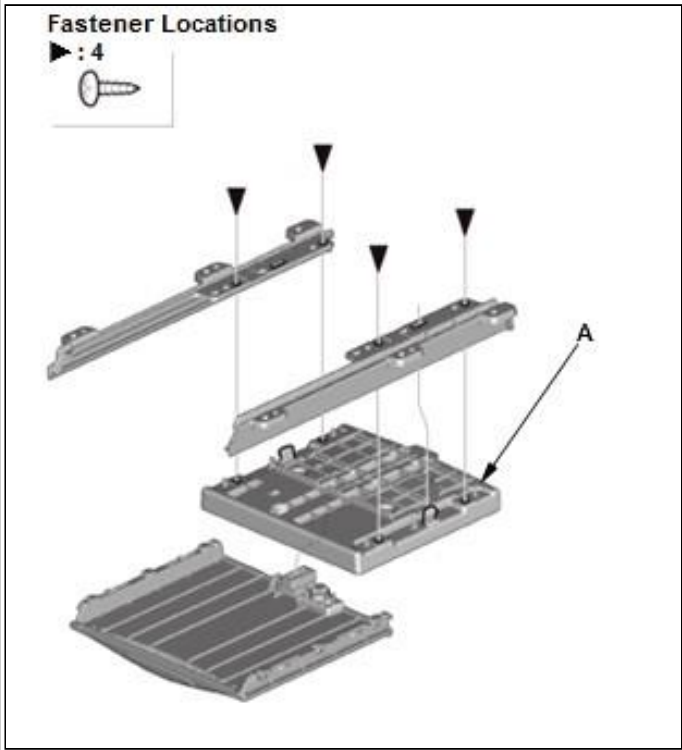
Courtesy of HONDA, U.S.A., INC.

## 3. Center Console Pocket Lid - Remove

1. Remove the center console inner lid (A).



Courtesy of HONDA, U.S.A., INC.



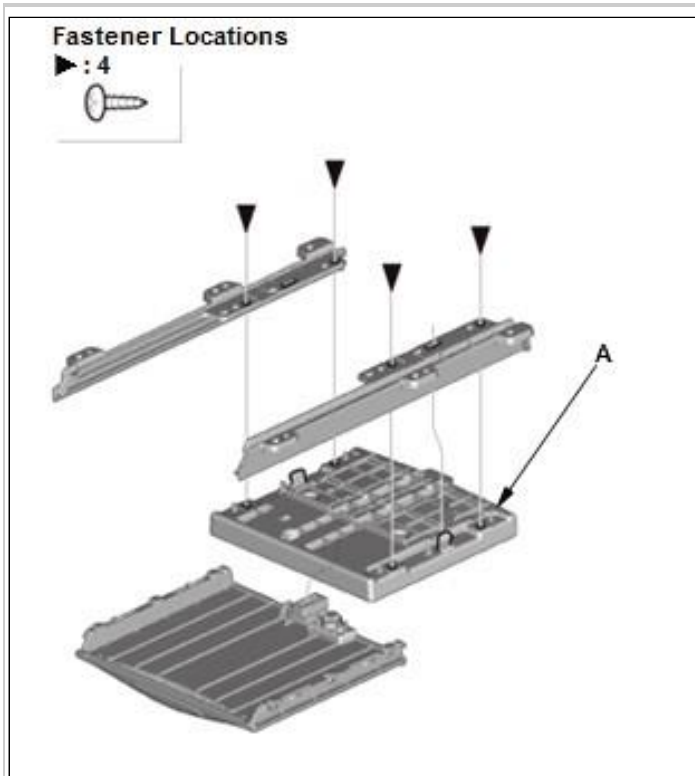
Courtesy of HONDA, U.S.A., INC.

2. Remove the center console pocket lid (A ).



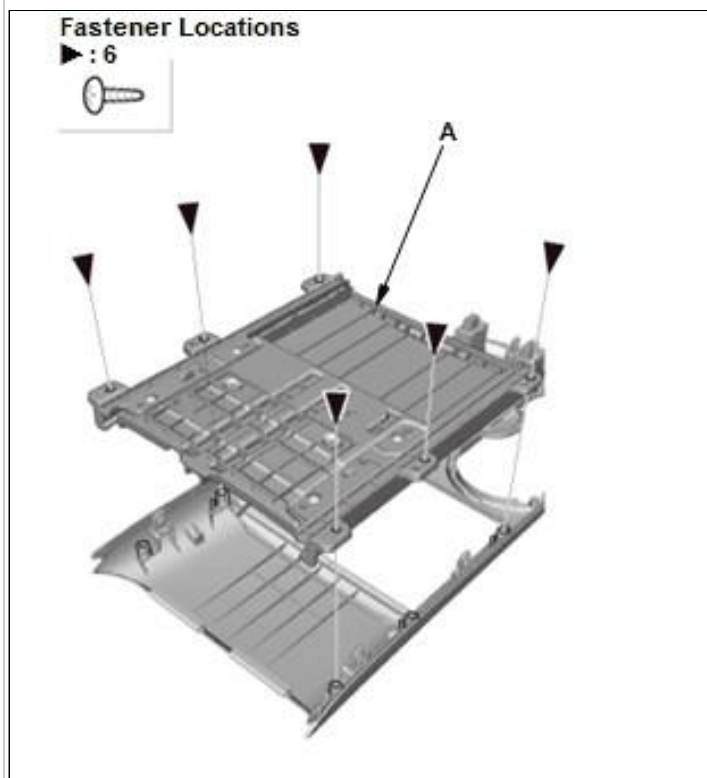
# CENTER CONSOLE > CENTER CONSOLE PANEL DISASSEMBLY AND REASSEMBLY (2013-18) > REASSEMBLY

## 1. Center Console Pocket Lid - Install



1. Install the center console pocket lid (A ).

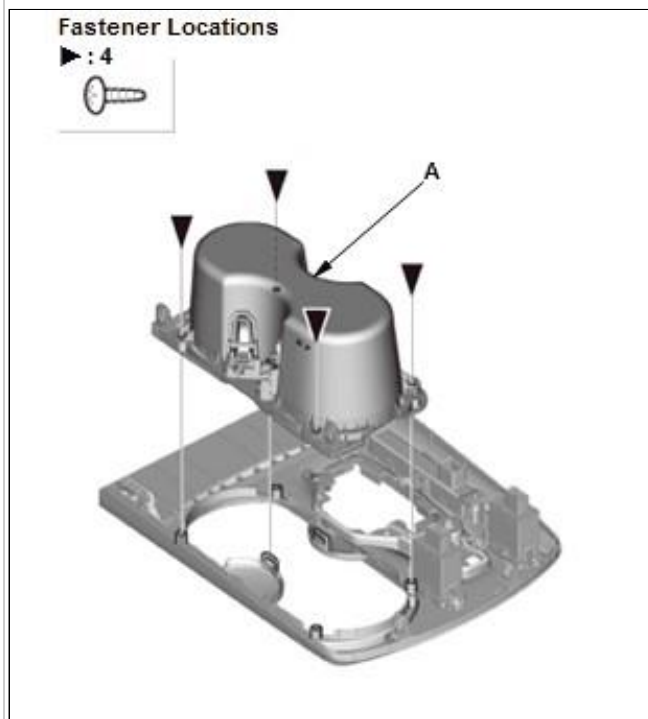
Courtesy of HONDA, U.S.A., INC.



2. Install the center console inner lid (A ).

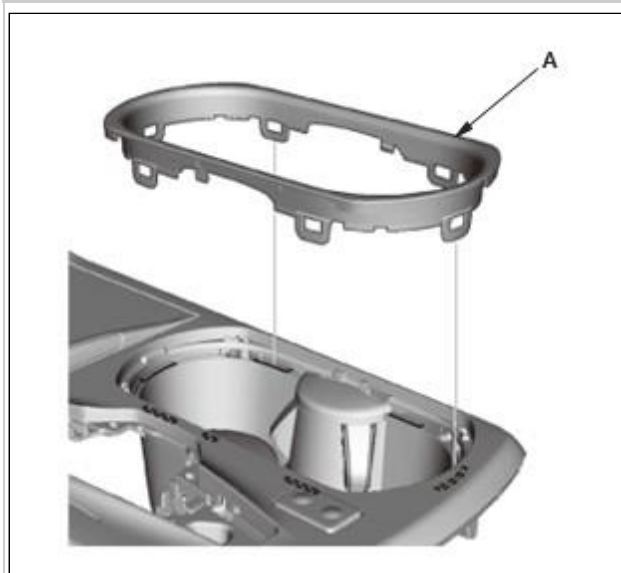
Courtesy of HONDA, U.S.A., INC.

## 2. Center Console Beverage Holder - Install



Courtesy of HONDA, U.S.A., INC.

1. Install the center console beverage holder (A ).



Courtesy of HONDA, U.S.A., INC.

2. Install the center console beverage holder ring (A).

## 3. Center Console Panel - Install

1. Install the center console panel .

