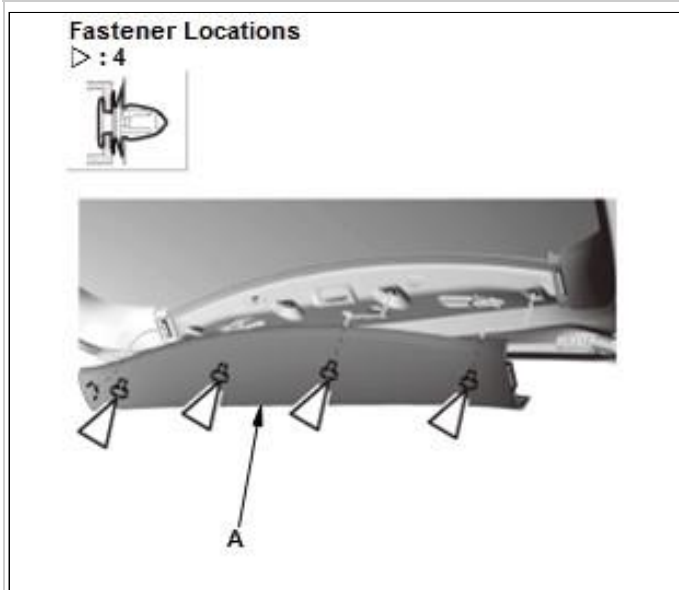


**REMOVAL / INSTALLATION > INTERIOR TRIM REMOVAL AND INSTALLATION -  
TAILGATE AREAS (2013-18) > REMOVAL**

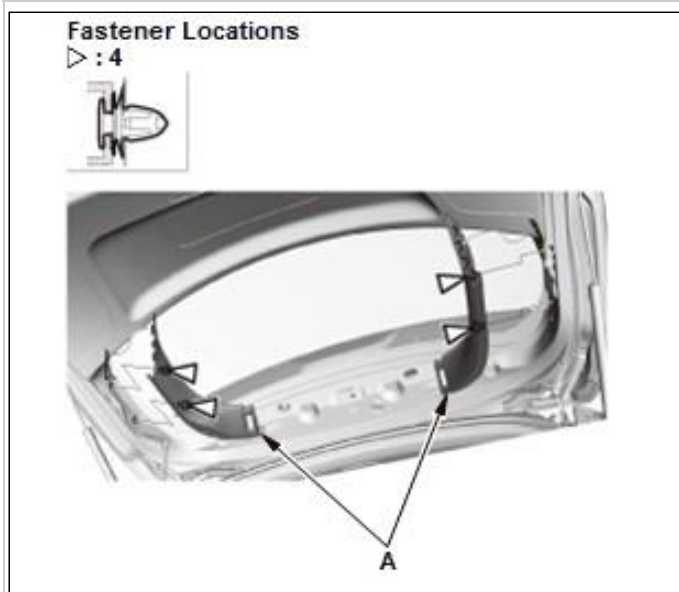
**1. Tailgate Upper Trim Panel - Remove**



Courtesy of HONDA, U.S.A., INC.

1. Remove the tailgate upper trim panel (A ).

**2. Tailgate Side Trim Panel - Remove**



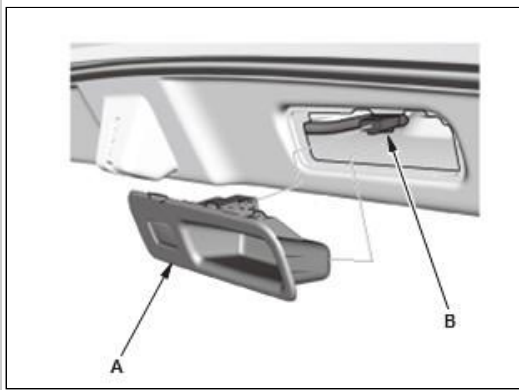
Courtesy of HONDA, U.S.A., INC.

1. Remove the tailgate side trim panels (A ).

**3. Tailgate Light - Remove**

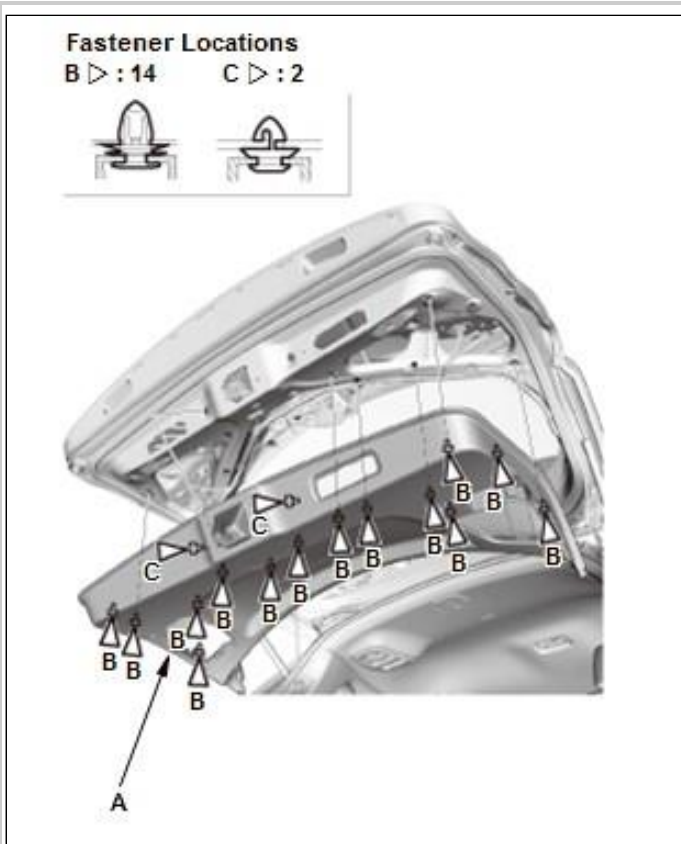
1. Remove both tailgate light .

#### 4. Tailgate Lower Trim Panel - Remove



1. Remove the pull pocket (A )
2. With power tailgate: Disconnect the power tailgate switch connector (B).

Courtesy of HONDA, U.S.A., INC.

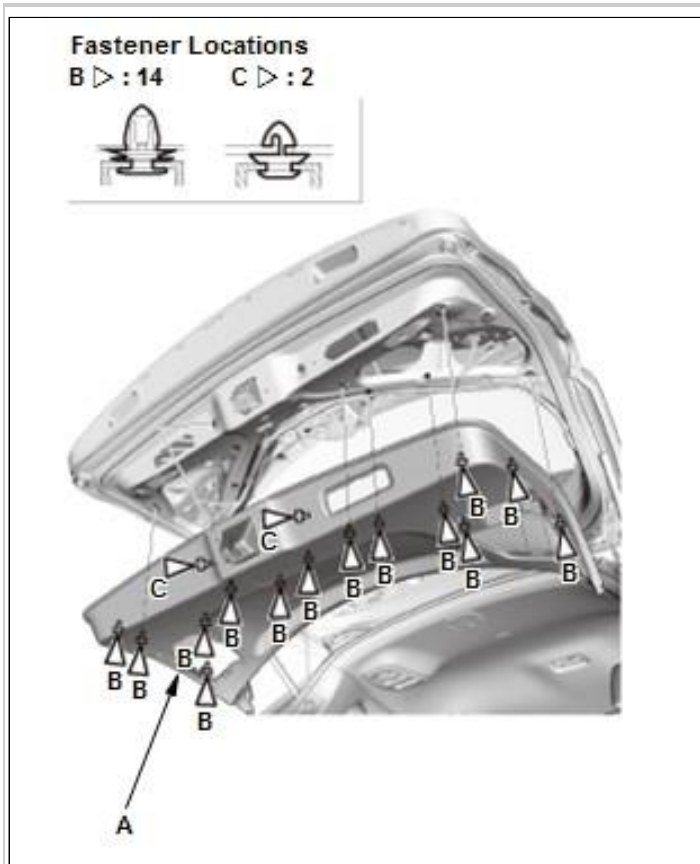


3. Remove the tailgate lower trim panel (A ).

Courtesy of HONDA, U.S.A., INC.

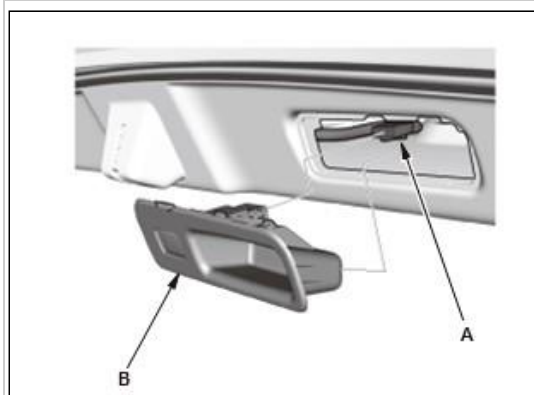
**REMOVAL / INSTALLATION > INTERIOR TRIM REMOVAL AND INSTALLATION -  
TAILGATE AREAS (2013-18) > INSTALLATION**

## 1. Tailgate Lower Trim Panel - Install



1. Install the tailgate lower trim panel (A).

Courtesy of HONDA, U.S.A., INC.



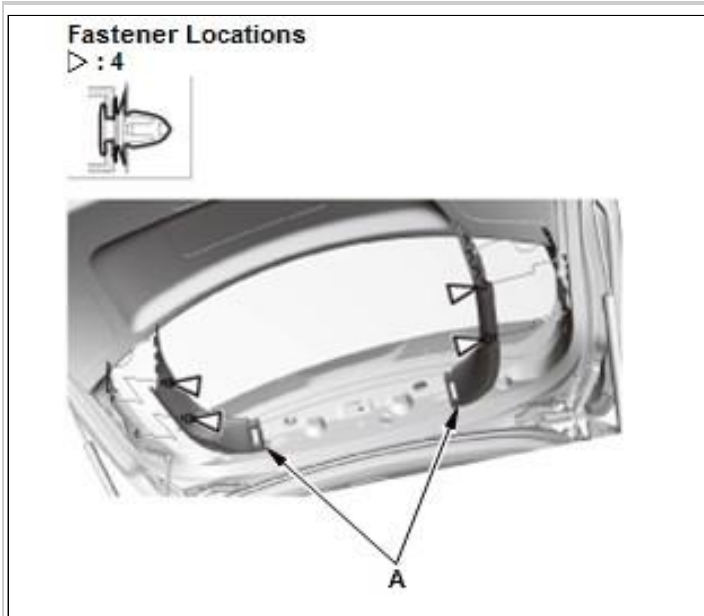
2. With power tailgate: Connect the power tailgate switch connector (A)  
3. Install the pull pocket (B).

Courtesy of HONDA, U.S.A., INC.

## 2. Tailgate Light - Install

1. Install both tailgate light .

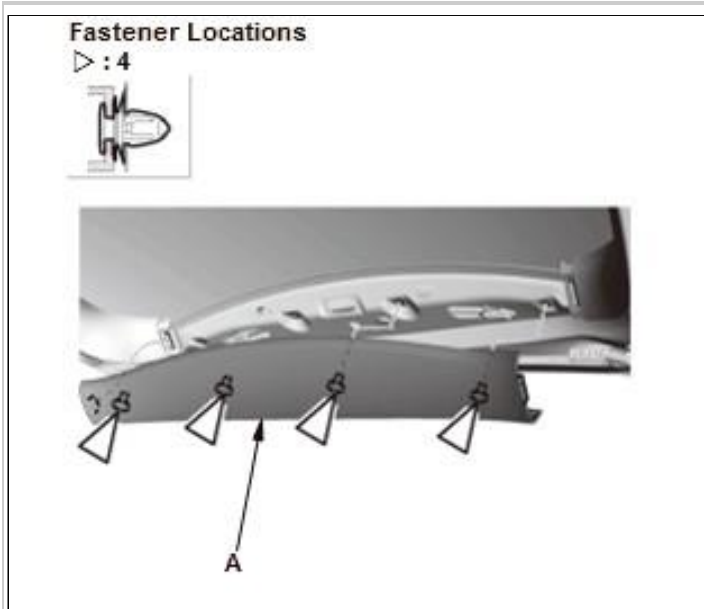
### 3. Tailgate Side Trim Panel - Install



Courtesy of HONDA, U.S.A., INC.

1. Install the tailgate side trim panels (A ).

### 4. Tailgate Upper Trim Panel - Install



Courtesy of HONDA, U.S.A., INC.

1. Install the tailgate upper trim panel (A ).