

## Front Brake Disc Removal and Installation

### Removal

NOTE: Keep grease away from the brake disc and the brake pads.

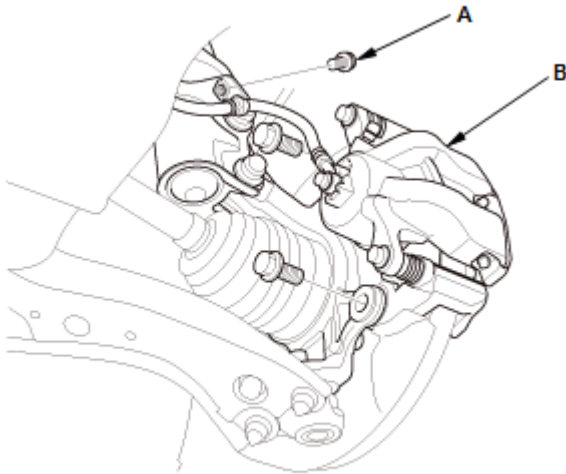
#### 1. Vehicle - Lift

1. [Raise and support the vehicle.](#)

#### 2. Front Wheel - Remove

1. [Remove the front wheel.](#)

#### 3. Front Brake Caliper - Remove



1. Remove the brake hose mounting bolt (A).
2. Remove the caliper assembly (B).

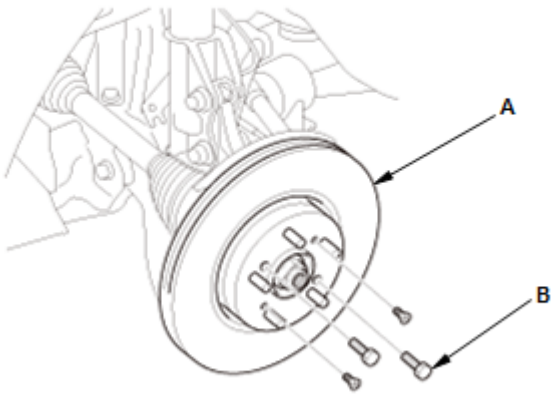
#### NOTE:

- To prevent damage to the caliper assembly or brake hose, use a short piece of wire to hang the caliper assembly from the undercarriage.
- Do not twist the brake hose excessively.

#### 4. Front Brake Disc - Remove

1. Remove the brake disc (A).

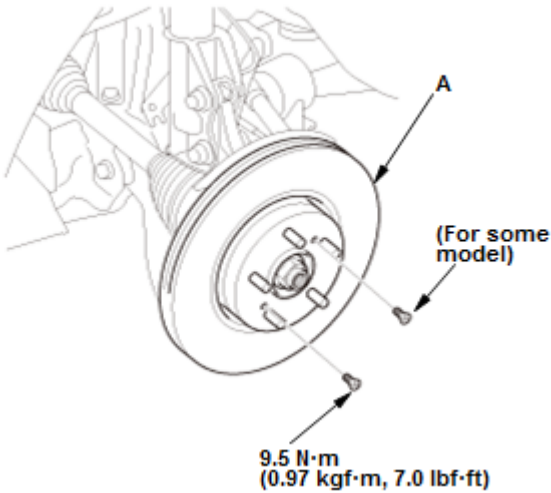
NOTE: If the brake disc is stuck to the front hub, thread two 8 x 1.25 mm bolts (B) into the brake disc to push it away from the front hub. Turn each bolt 90 degrees at a time to prevent the brake disc from binding.



## Installation

NOTE: Keep grease away from the brake disc and the brake pads.

### 1. Front Brake Disc - Install



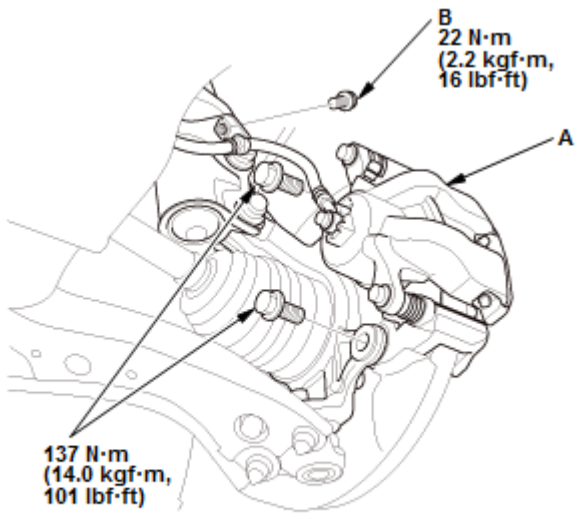
1. Install the brake disc (A).

NOTE: Before installing the brake disc, clean the mating surfaces between the front hub and the inside of the brake disc.

### 2. Front Brake Disc Runout - Inspect

1. [Inspect the brake disc runout.](#)

### 3. Front Brake Caliper - Install



1. Install the caliper assembly (A).
2. Install the brake hose mounting bolt (B).

#### 4. Front Wheel - Install

1. [Install the front wheel.](#)