

Dashboard Side Lid Removal And Installation (2013-18)

Removal

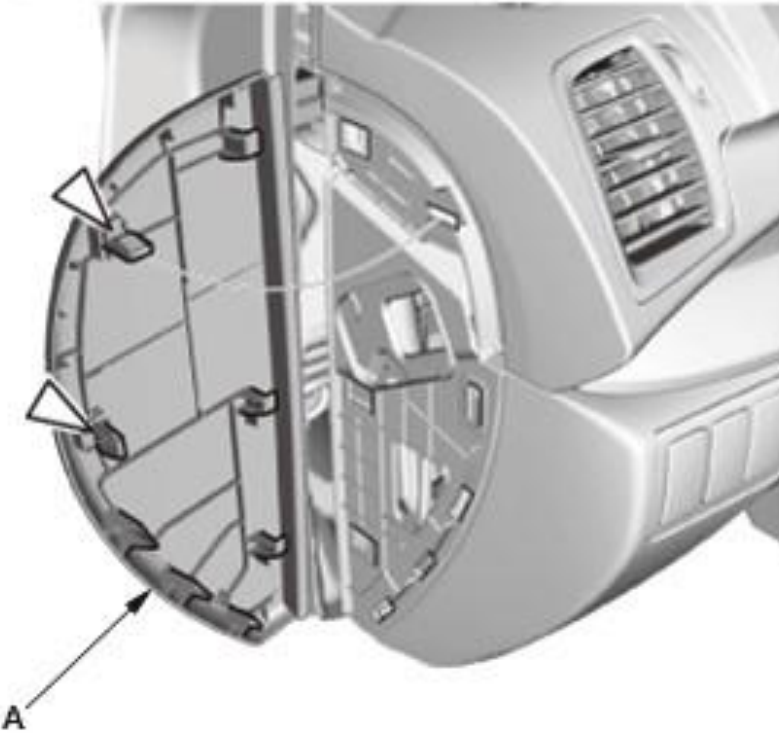
1. Dashboard Side Lid - Remove

Driver's side

1. Remove the dashboard side lid (A).

Fastener Locations

▷ : 2



Fastener Locations

▷ : 2

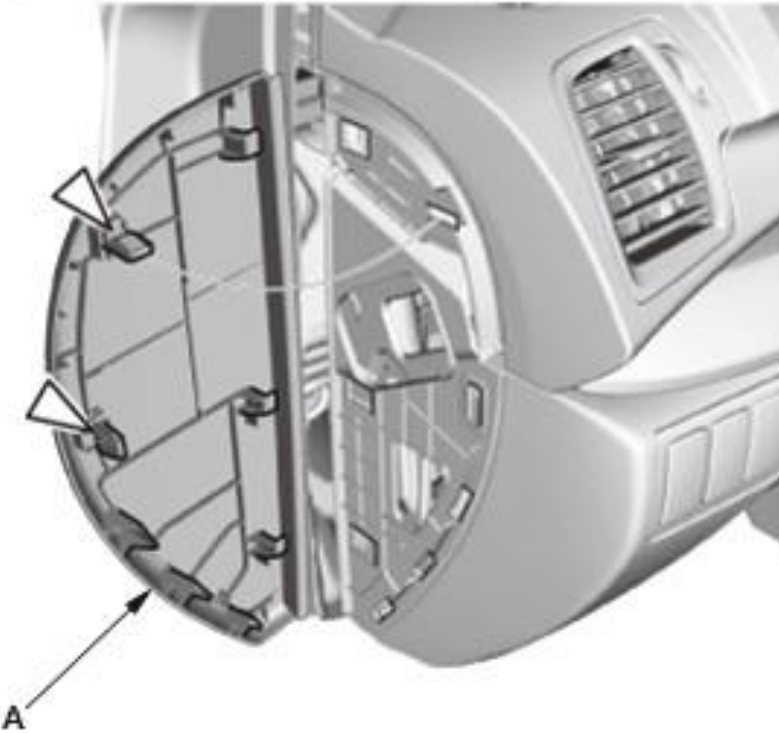


Courtesy of HONDA, U.S.A., INC. HONDA, U.S.A., INC.

Passenger's side

Fastener Locations

▷ : 2



Fastener Locations

▷ : 2



A

Courtesy of HONDA, U.S.A., INC.HONDA, U.S.A., INC.

Installation 1. Dashboard Side

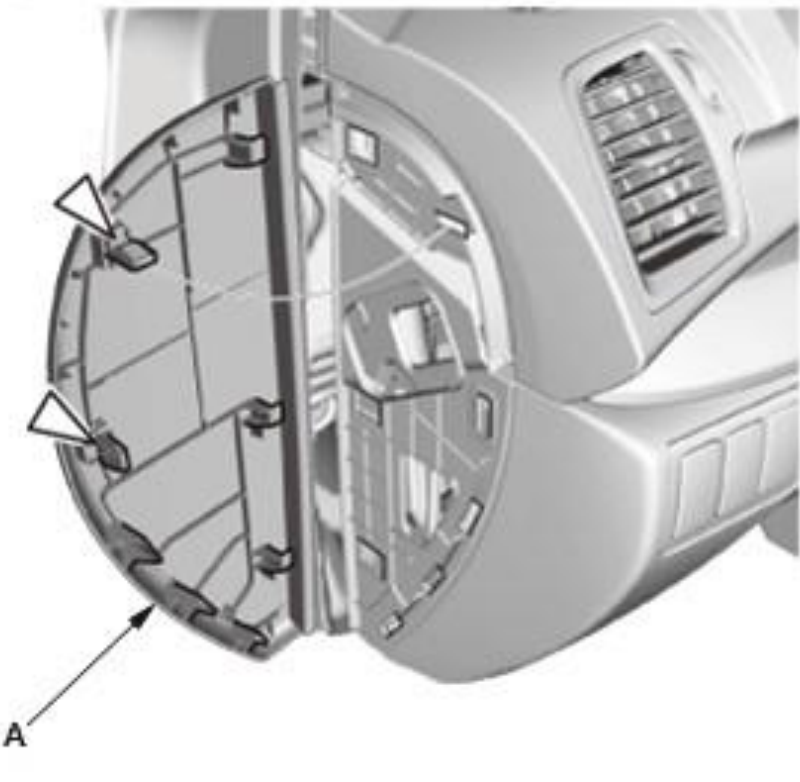
Lid - Install

Driver's side

1. Install the dashboard side lid (A).

Fastener Locations

▷ : 2



Fastener Locations

▷ : 2





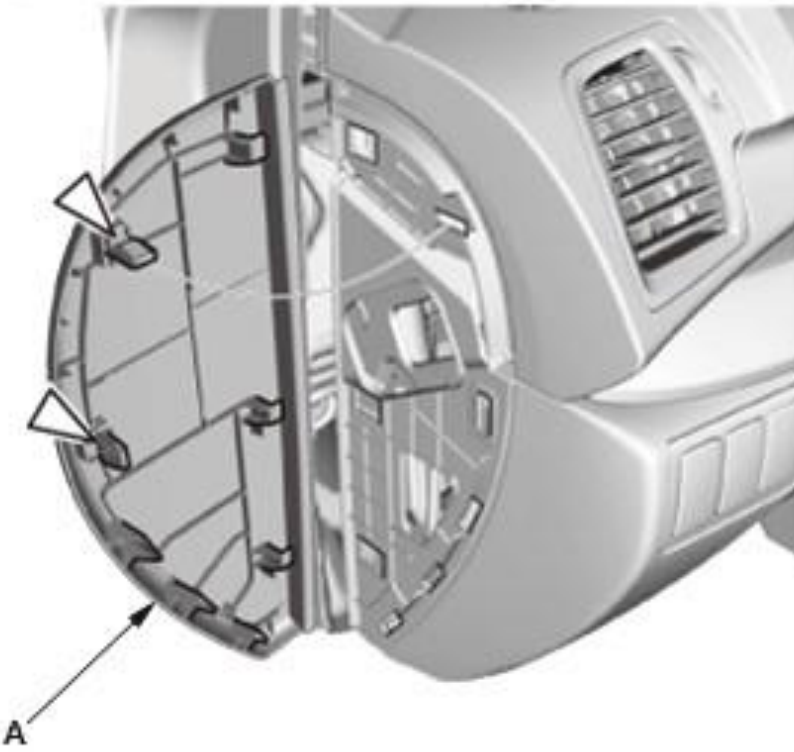
A

Courtesy of HONDA, U.S.A., INC.HONDA, U.S.A., INC.

Passenger's side

Fastener Locations

▷ : 2



Fastener Locations

▷ : 2



A

Courtesy of HONDA, U.S.A., INC. HONDA, U.S.A., INC.