

## REMOVAL / INSTALLATION > GLOVE BOX REMOVAL AND INSTALLATION (2013-18) > REMOVAL

SRS components are located in this area. Review the SRS component locations - Refer to: SRS Component Location Index (2013-18), or SRS Component Location Index (2013-18) and the precautions and procedures - Refer to: SRS Precautions and Procedures (2013-15), or SRS Precautions and Procedures (2016-18) before doing repairs or service.

### 1. Dashboard Side Lid (Passenger's Side) - Remove

1. Remove the dashboard side lid .
------------------------------------

### 2. Passenger's Dashboard Trim Panel - Remove

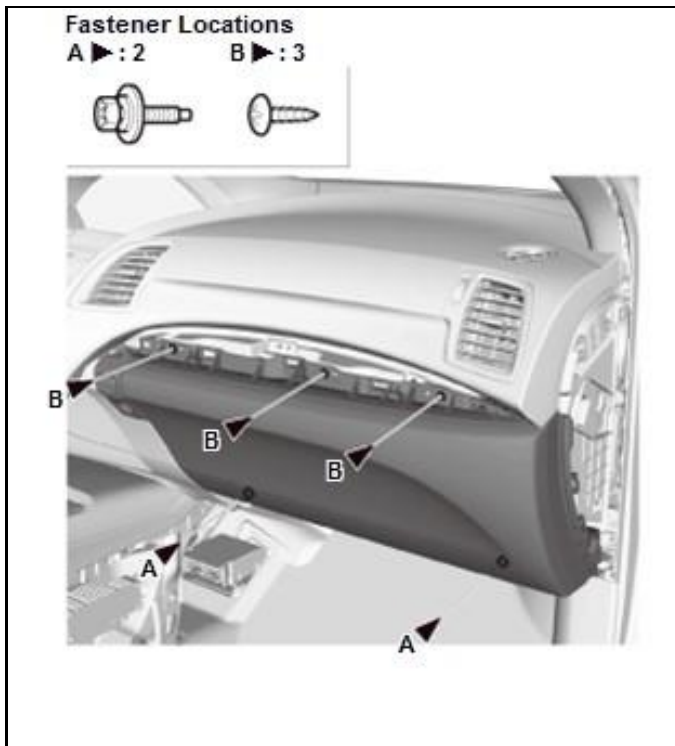
1. Remove the passenger's dashboard trim panel .
--

### 3. Passenger's Dashboard Undercover - Remove

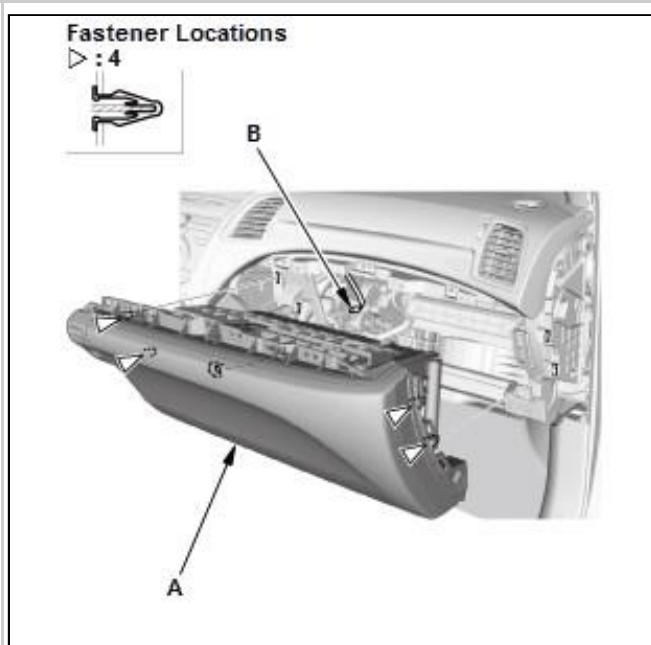
1. Remove the passenger's dashboard undercover .
--

### 4. Glove Box - Remove

1. Remove the bolts (A) and the screws (B).
---



Courtesy of HONDA, U.S.A., INC.



Courtesy of HONDA, U.S.A., INC.

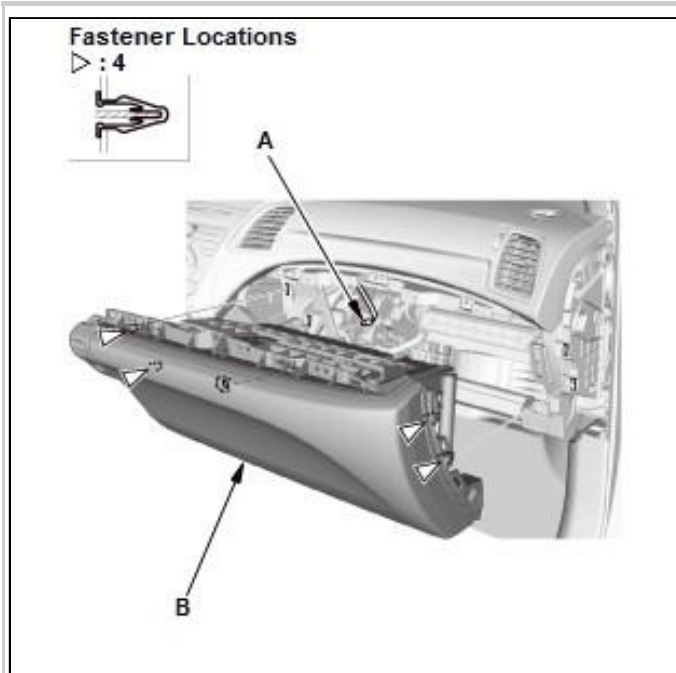
2. Remove the glove box (A)
3. Disconnect the glove box light connector (B).

## REMOVAL / INSTALLATION > GLOVE BOX REMOVAL AND INSTALLATION (2013-18) > INSTALLATION

SRS components are located in this area. Review the SRS component locations - Refer to: SRS Component Location Index (2013-18), or SRS Component Location Index (2013-

18) and the precautions and procedures - Refer to: SRS Precautions and Procedures (2013-15), or SRS Precautions and Procedures (2016-18) before doing repairs or service.

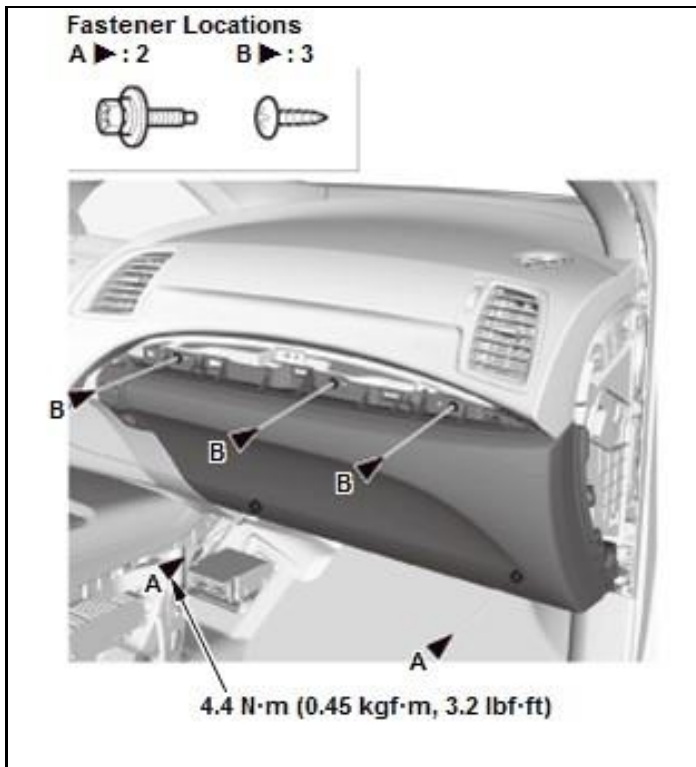
1. Glove Box - Install



1. Connect the glove box light connector (A)
2. Install the glove box (B).

Courtesy of HONDA, U.S.A., INC.

3. Install the bolts (A) and the screws (B).



Courtesy of HONDA, U.S.A., INC.

## 2. Passenger's Dashboard Undercover - Install

1. Install the passenger's dashboard undercover .

## 3. Passenger's Dashboard Trim Panel - Install

1. Install the passenger's dashboard trim panel .

## 4. Dashboard Side Lid (Passenger's Side) - Install

1. Install the dashboard side lid .