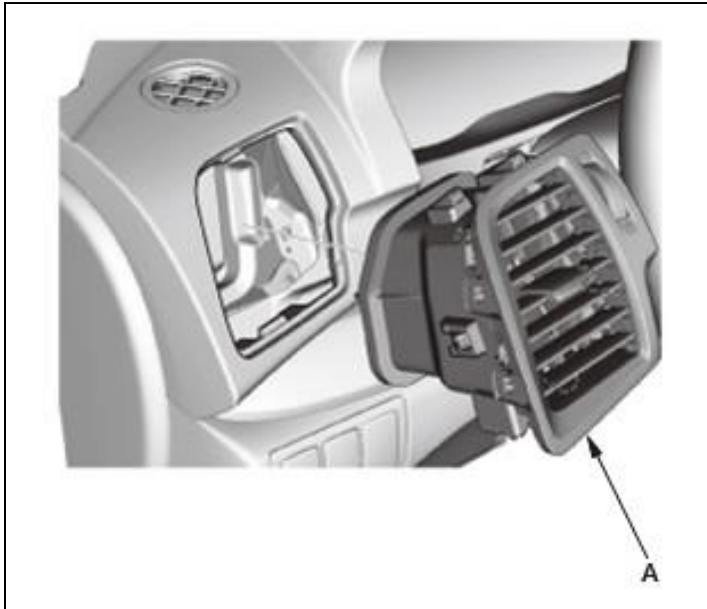


**REMOVAL & INSTALLATION > DASHBOARD VENT REMOVAL AND
INSTALLATION**

(2013-18) > REMOVAL

Dashboard Side Vent

1. Dashboard Side Vent - Remove



1. Remove the dashboard side vent (A).

Courtesy of HONDA, U.S.A., INC.

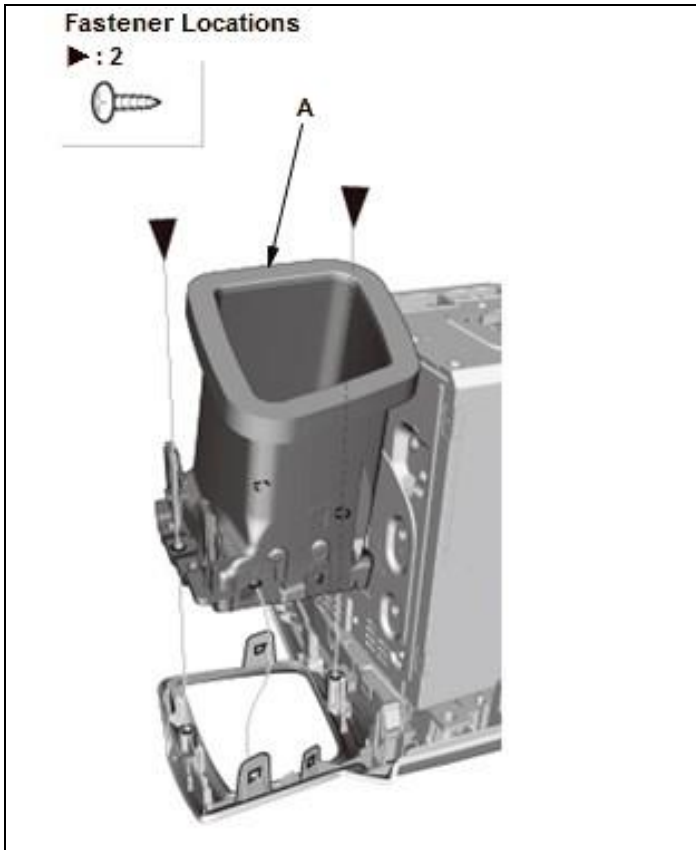
Dashboard Center Vent

2. Dashboard Center Panel - Remove

1. Remove the dashboard center panel:
 1. Without navigation
 2. With navigation - Refer to: Audio-Navigation Unit Removal and Installation (2013-15), or Audio-Navigation Unit Removal and Installation (2016-18)

3. Dashboard Center Vent - Remove

1. Remove the dashboard center vent (A).



Courtesy of HONDA, U.S.A., INC.

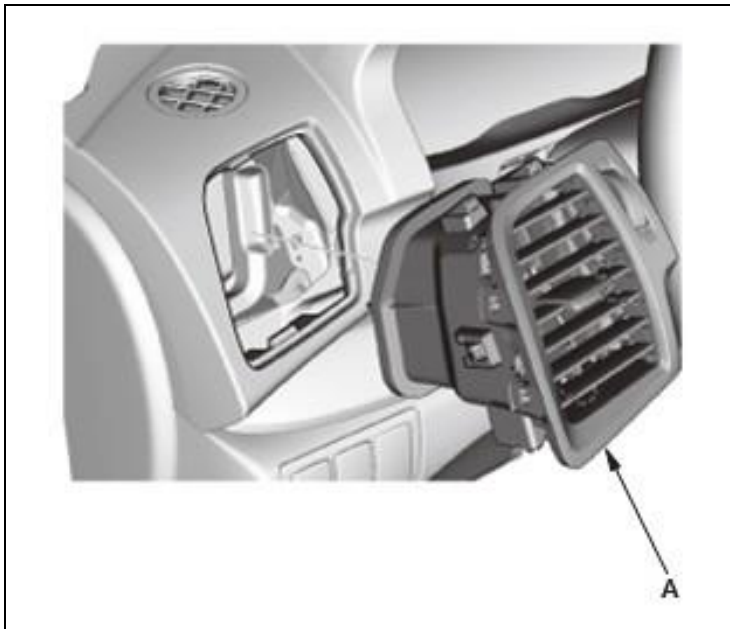
REMOVAL & INSTALLATION > DASHBOARD VENT REMOVAL AND INSTALLATION

(2013-18) > INSTALLATION

Dashboard Side Vent

1. Dashboard Side Vent - Install

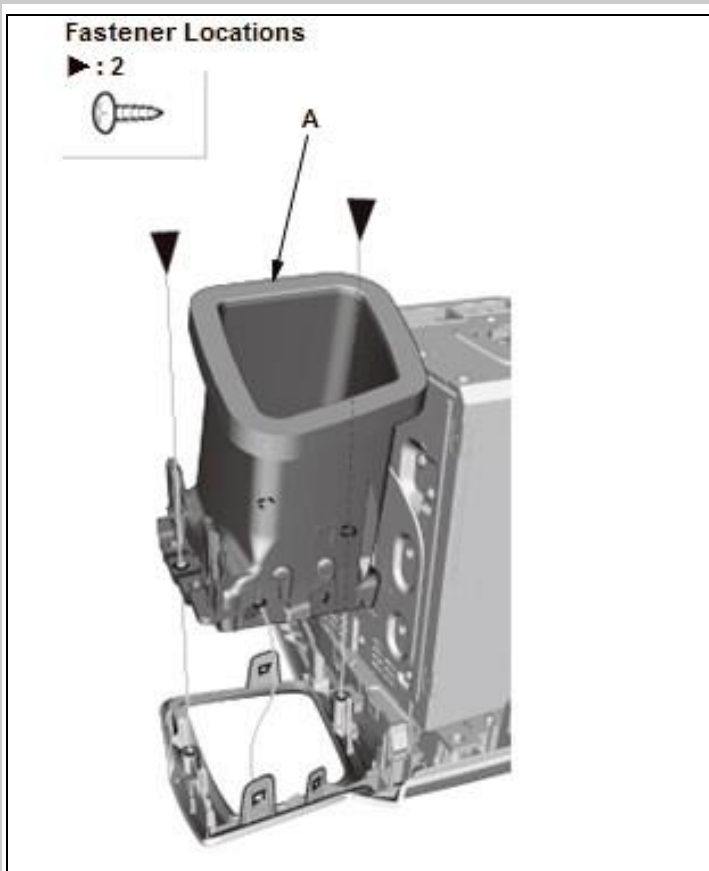
1. Install the dashboard side vent (A).



Courtesy of HONDA, U.S.A., INC.

Dashboard Center Vent

2. Dashboard Center Vent - Install



Courtesy of HONDA, U.S.A., INC.

1. Install the dashboard center vent (A).

3. Dashboard Center Panel - Install

1. Install the dashboard center panel:

1. Without navigation

2. With navigation - Refer to: Audio-Navigation Unit Removal and Installation (2013-15), or
Audio-Navigation Unit Removal and Installation (2016-18)