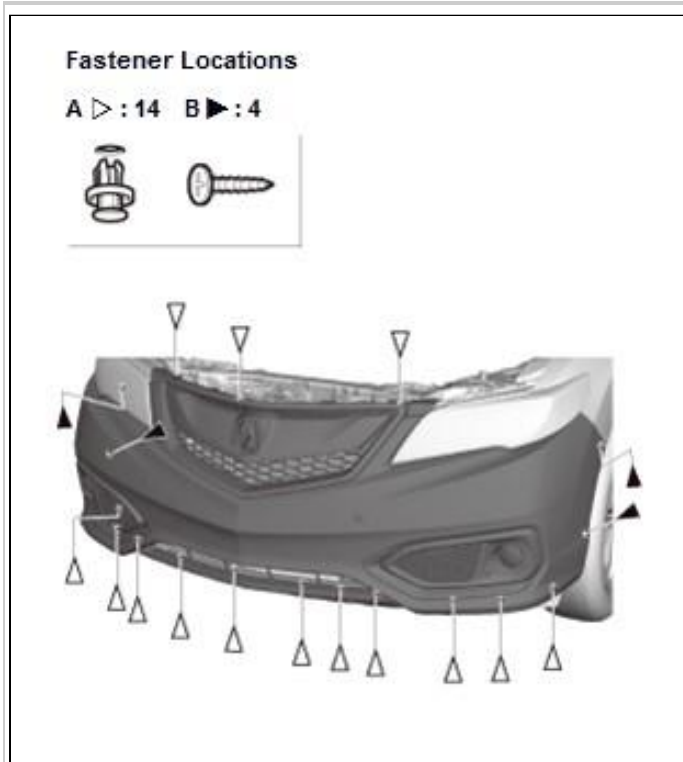


REMOVAL & INSTALLATION > FRONT BUMPER REMOVAL AND INSTALLATION

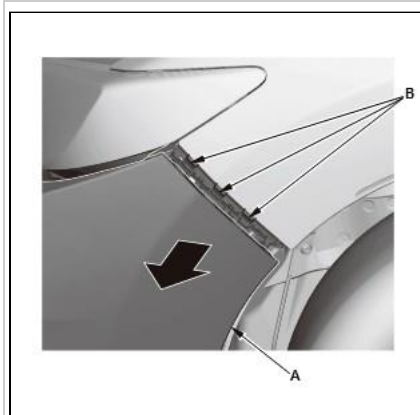
(2016-18) > REMOVAL & INSTALLATION

1. Front Grille Cover - Remove
2. Front Bumper - Remove



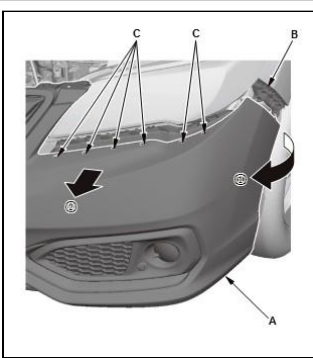
1. Remove the clips (A) and the screws (B).

Courtesy of HONDA, U.S.A., INC.



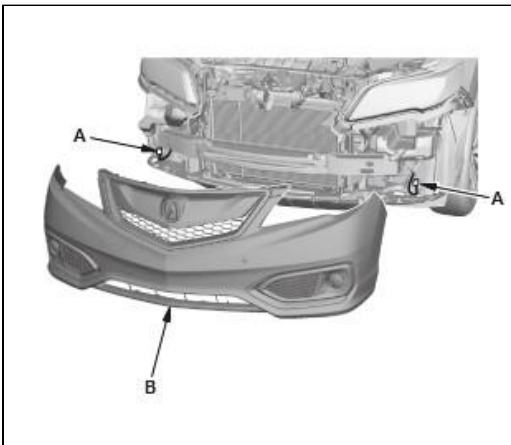
2. Pull out the front bumper (A) at the wheel arch area to release it from the hooks (B) on the side spacer.

Courtesy of HONDA, U.S.A., INC.



Courtesy of HONDA, U.S.A., INC.

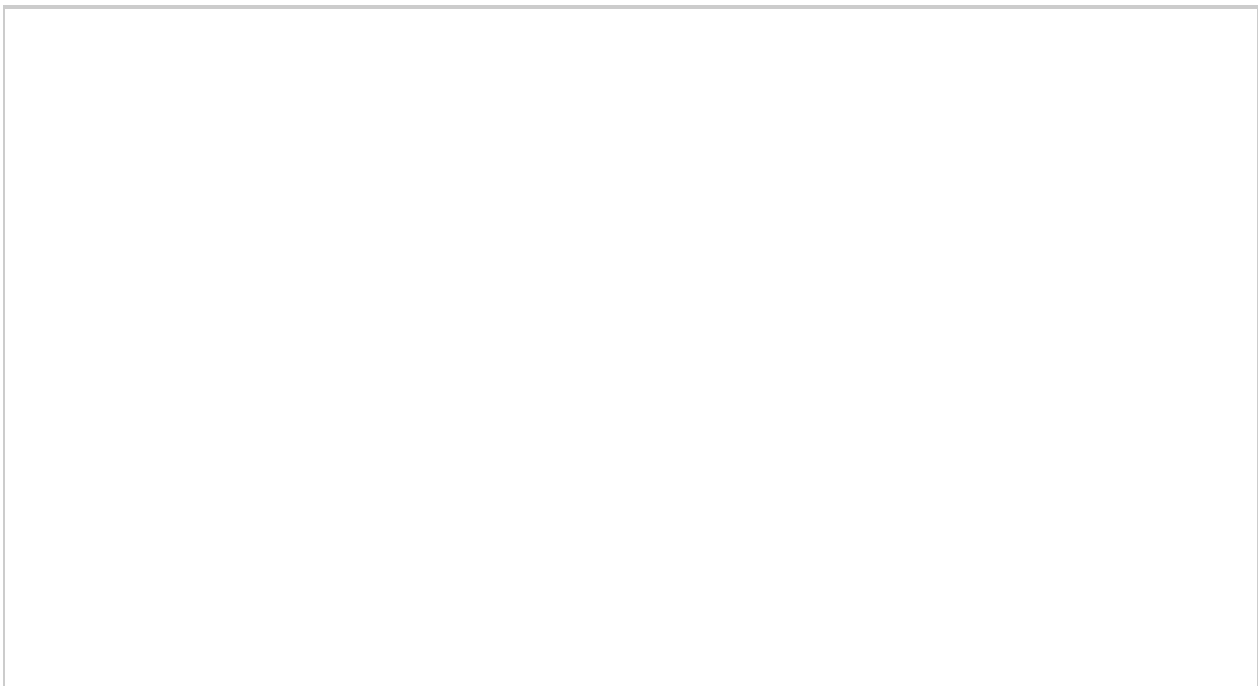
3. With the help of an assistant, while pulling the front bumper (A) away from the side spacer (B), release the bumper from the hooks (C) on the upper beam.



Courtesy of HONDA, U.S.A., INC.

4. With the help of an assistant, disconnect the connectors (A) (if equipped)
5. Remove the front bumper (B).

3. Front Bumper Absorber - Remove





Courtesy of HONDA, U.S.A., INC.

4. All Removed Parts - Install

1. Install the parts in the reverse order of removal.