

REMOVAL & INSTALLATION > FRONT BUMPER REMOVAL AND INSTALLATION

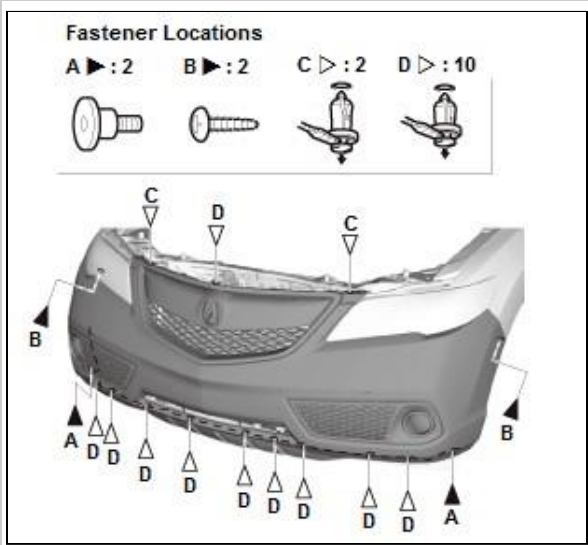
REMOVAL & INSTALLATION > FRONT BUMPER REMOVAL AND INSTALLATION

(2013-15) > REMOVAL

1. Front Grille Cover - Remove

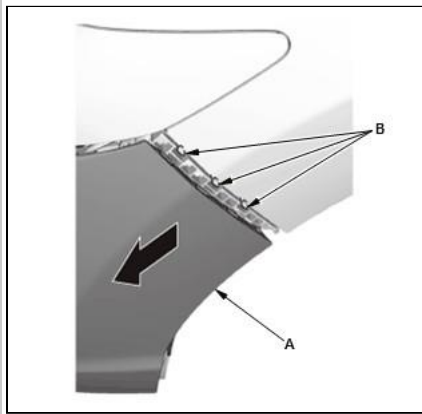
1. Remove the front grille cover .

2. Front Bumper - Remove



1. Remove the bolts (A), the screws (B), and the clips (C, D).

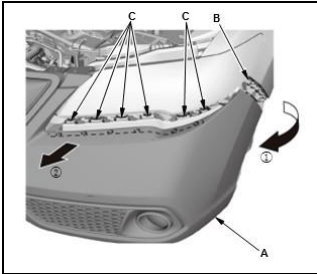
Courtesy of HONDA, U.S.A., INC.



2. Pull out the front bumper (A) at the wheel arch area to release it from the hooks (B) on the side spacer.

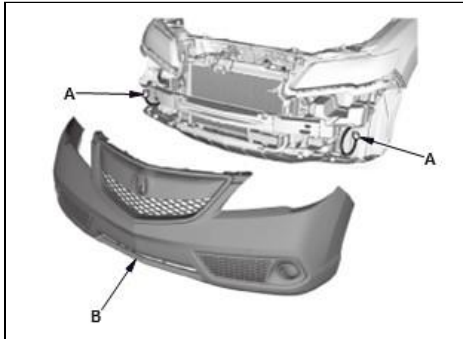
Courtesy of HONDA, U.S.A., INC.

3. With the help of an assistant, while pulling the front bumper (A) away



from the side spacer (B), release the bumper from the hooks (C) on the upper beam.

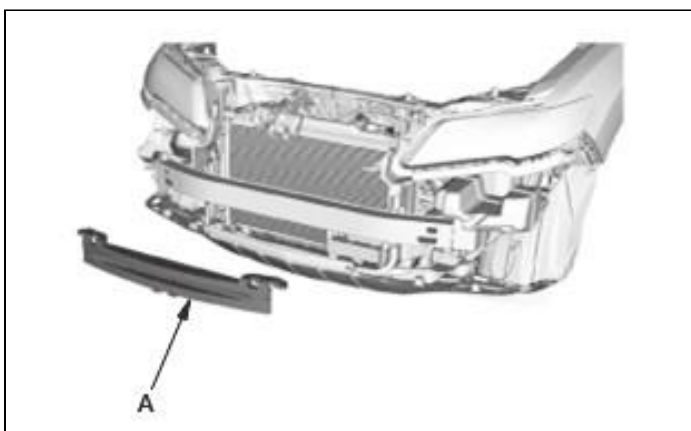
Courtesy of HONDA, U.S.A., INC.



4. With the help of an assistant, disconnect the fog light connectors (A) (for some models)
5. Remove the front bumper (B).

Courtesy of HONDA, U.S.A., INC.

3. Front Bumper Absorber - Remove



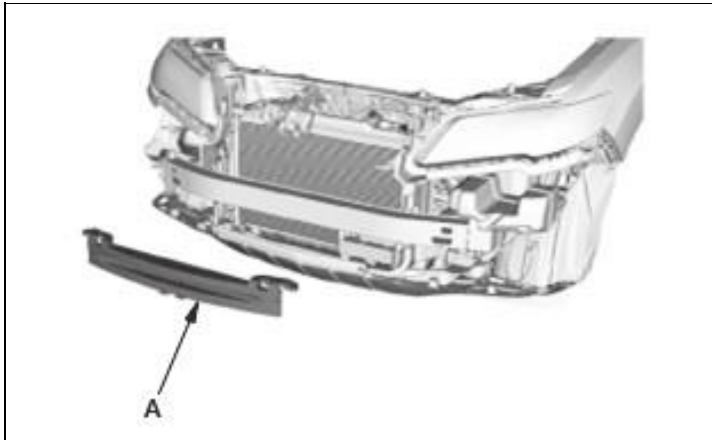
1. Remove the front bumper absorber (A).

Courtesy of HONDA, U.S.A., INC.

REMOVAL & INSTALLATION > FRONT BUMPER REMOVAL AND INSTALLATION

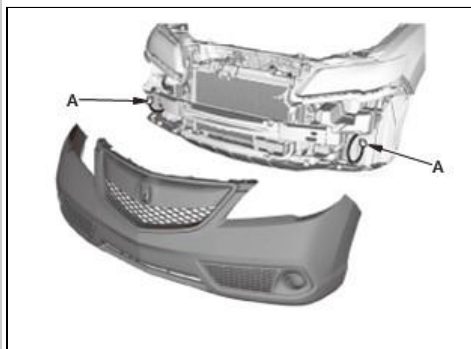
(2013-15) > INSTALLATION

1. Front Bumper Absorber - Install



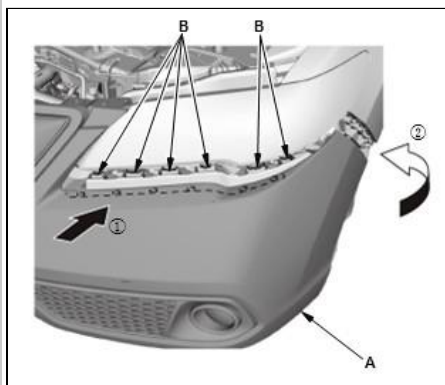
Courtesy of HONDA, U.S.A., INC.

2. Front Bumper - Install



1. With the help of an assistant, connect the fog light connectors (A) (for some models).

Courtesy of HONDA, U.S.A., INC.

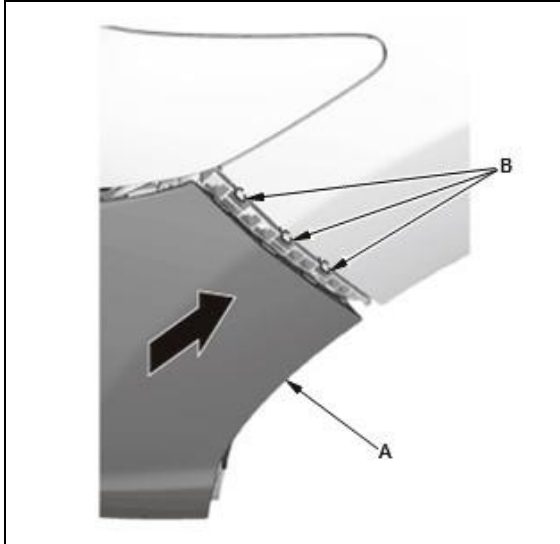


2. With the help of an assistant, install the front bumper (A) to the hooks (B) on the upper beam.

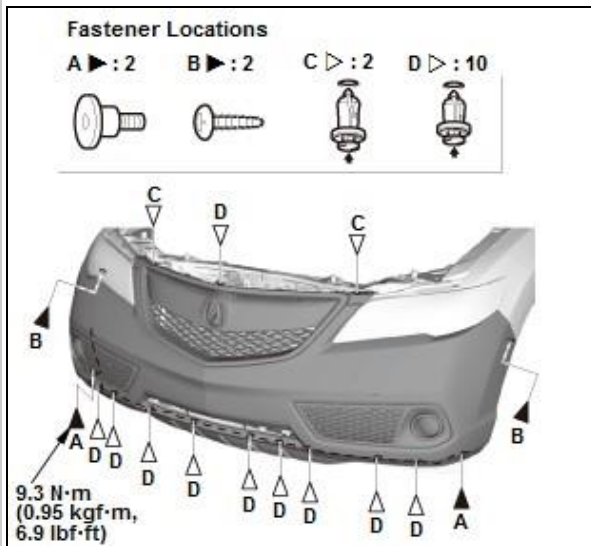
Courtesy of HONDA, U.S.A., INC.

1. Install the front bumper absorber (A).

3. Install the front bumper (A) to the hooks (B) on the side spacer.



Courtesy of HONDA, U.S.A., INC.



Courtesy of HONDA, U.S.A., INC.

4. Install the bolts (A), the screws (B), and the clips (C, D).

3. Front Grille Cover - Install

1. Install the front grille cover .