

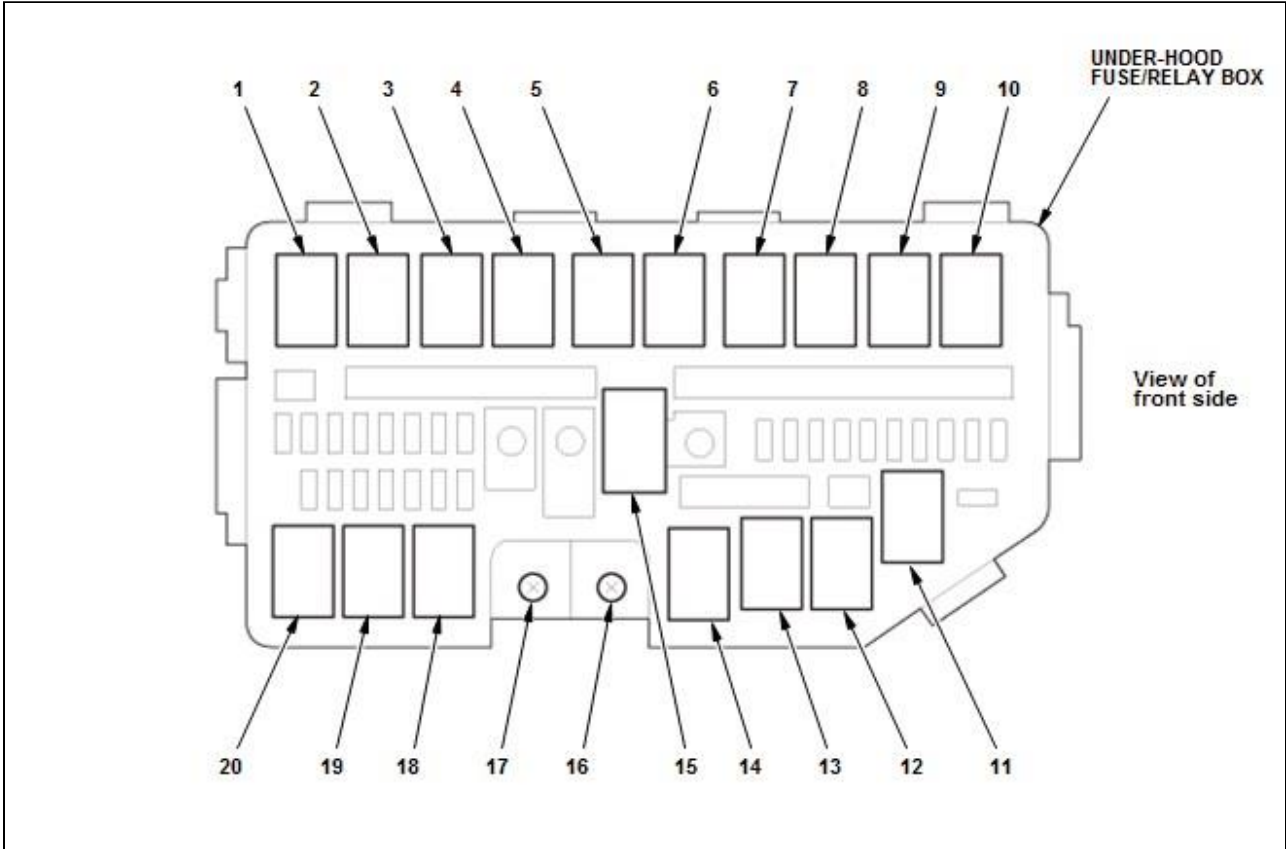
FUSE RELAY BOX CONNECTOR LOCATIONS > FUSE/RELAY BOX CONNECTOR

| Socket | Ref | Terminals | Connects to | Notes |
|---|-----|-----------|-------------|-------|
| A/C compressor clutch relay | 4 | 4 | | |
| A/C condenser fan relay | 18 | 4 | | |
| Active control engine mount (ACM) control relay | 19 | 4 | | |
| Blower motor relay | 20 | 5 | | |

| | | | | |
|--------------------------------|----|---|---------------------------------|--|
| Electrical load detector (ELD) | 15 | 3 | Engine compartment wire harness | |
| | | | | |

LOCATIONS (2016-18) > UNDER-HOOD FUSE/RELAY BOX

Fig 1: Under-Hood Fuse/Relay Box



Courtesy of HONDA, U.S.A., INC.

Under-Hood Fuse/Relay Box Legend

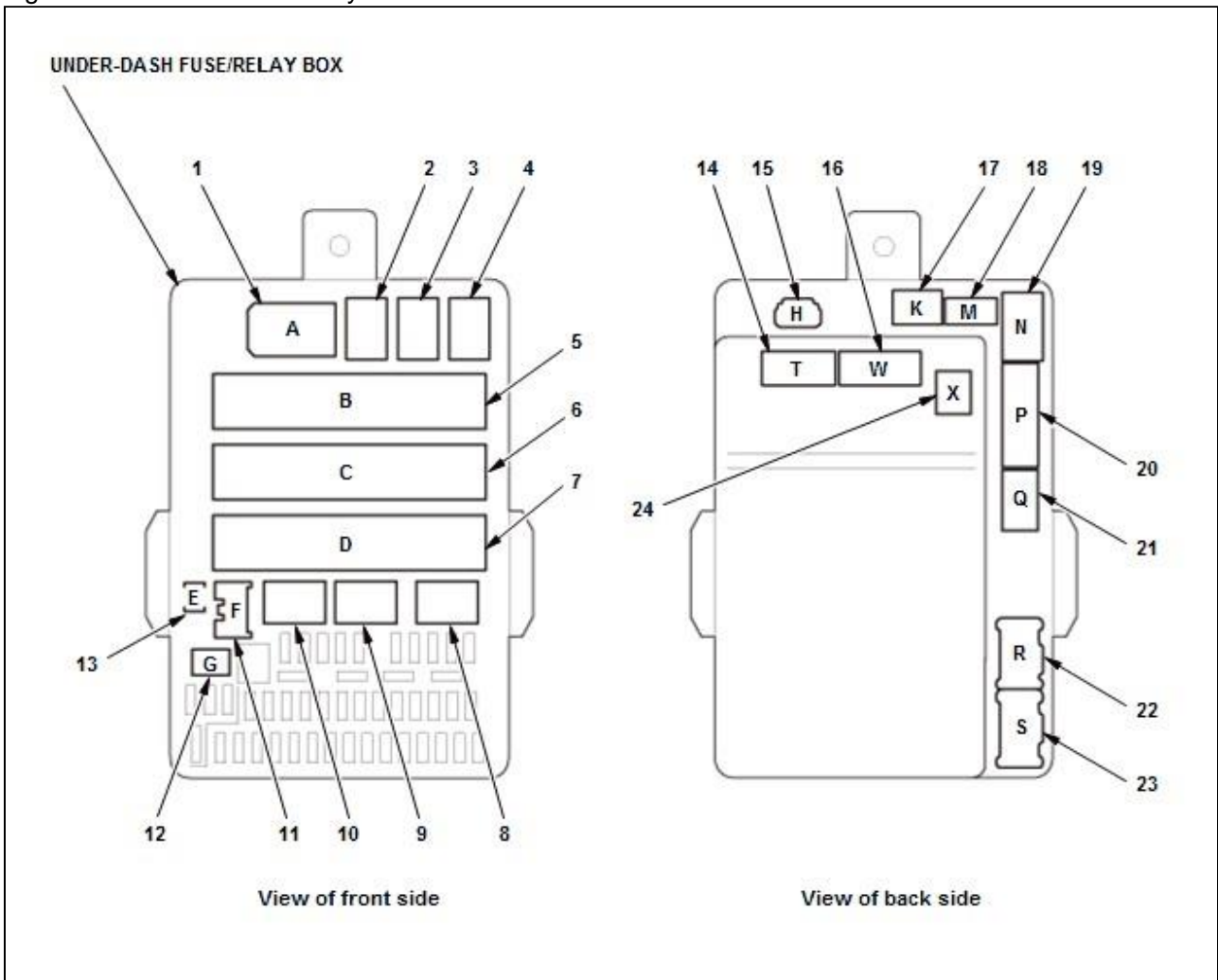
| | | | | |
|---------------------|----|---|--|--|
| Fan control relay | 1 | 5 | | |
| Starter cut relay 1 | 6 | 4 | | |
| Headlight relay 1 | 3 | 4 | | |
| Headlight relay 2 | 5 | 4 | | |
| Horn relay | 7 | 4 | | |
| Ignition coil relay | 14 | 4 | | |
| PGM-FI subrelay | 12 | 4 | | |
| Radiator fan relay | 2 | 4 | | |

| | | | | |
|-------------------------------------|----|-----|---------------------|--|
| Rear window defogger relay | 11 | 5 | | |
| Taillight relay | 8 | 4 | | |
| Windshield wiper high/low relay | 10 | 5 | | |
| Windshield wiper intermittent relay | 9 | 5 | | |
| Windshield wiper motor relay | 13 | 4 | | |
| T1 | 16 | --- | Starter cable | |
| T101 | 17 | --- | Engine wire harness | |

FUSE RELAY BOX CONNECTOR LOCATIONS > FUSE/RELAY BOX CONNECTOR

LOCATIONS (2016-18) > UNDER-DASH FUSE/RELAY BOX

Fig 1: Under-Dash Fuse/Relay Box



Courtesy of HONDA, U.S.A., INC.

Under-Dash Fuse/Relay Box Legend

| Socket | Ref | Terminals | Connects to | Notes |
|---|-----|-----------|---------------------------------|-------|
| A | 1 | 5 | Dashboard wire harness | |
| B | 5 | 44 | Left side wire harness | |
| C | 6 | 38 | Engine compartment wire harness | |
| D | 7 | 32 | Engine compartment wire harness | |
| E | 13 | 4 | Not used | |
| Electronic throttle control system (ETCS) control relay | 10 | 4 | | |
| F | 11 | 6 | Not used | |
| | | | | |
| Front accessory power socket relay | 3 | 4 | | |
| G | 12 | 3 | Not used | |
| H | 15 | 4 | Dashboard wire harness | |
| K | 17 | 12 | Dashboard wire harness | |
| M | 18 | 7 | Dashboard wire harness | |
| N | 19 | 13 | Dashboard wire harness | |
| P | 20 | 20 | Dashboard wire harness | |
| PGM-FI main relay 1 | 9 | 4 | | |
| PGM-FI main relay 2 | 2 | 4 | | |
| Power window relay | 8 | 4 | | |
| Q | 21 | 16 | Dashboard wire harness | |
| R | 22 | 8 | Dashboard wire harness | |
| S | 23 | 10 | Dashboard wire harness | |
| Starter cut relay 2 | 4 | 4 | | |
| T | 14 | 20 | Dashboard wire harness | |

| | | | | |
|---|----|----|------------------------|--|
| W | 16 | 24 | Dashboard wire harness | |
| X | 24 | 10 | Dashboard wire harness | |