

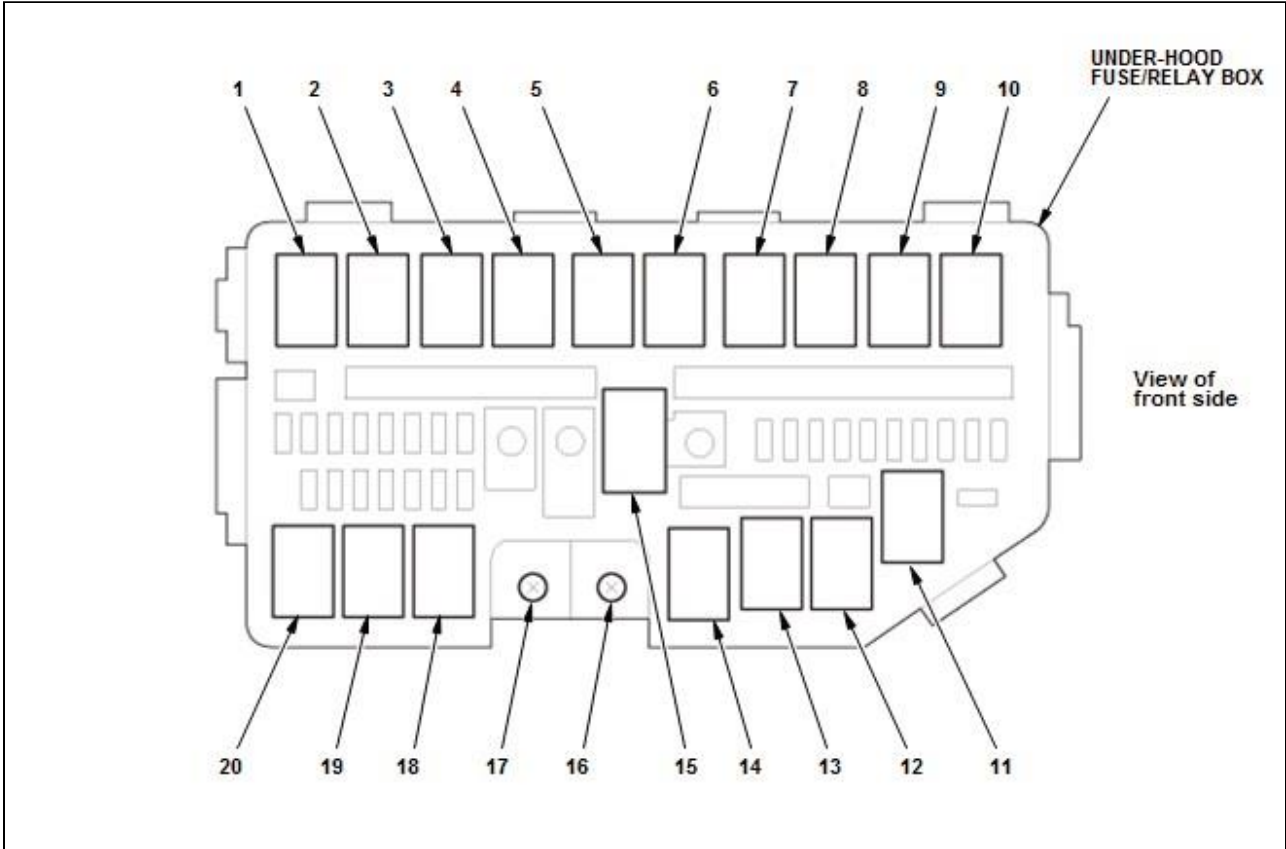
FUSE RELAY BOX CONNECTOR LOCATIONS > FUSE/RELAY BOX CONNECTOR

Socket	Ref	Terminals	Connects to	Notes
A/C compressor clutch relay	4	4		
A/C condenser fan relay	18	4		
Active control engine mount (ACM) control relay	19	4		
Blower motor relay	20	5		

Electrical load detector (ELD)	15	3	Engine compartment wire harness	

LOCATIONS (2013-15) > UNDER-HOOD FUSE/RELAY BOX

Fig 1: Under-Hood Fuse/Relay Box



Courtesy of HONDA, U.S.A., INC.

Under-Hood Fuse/Relay Box Legend

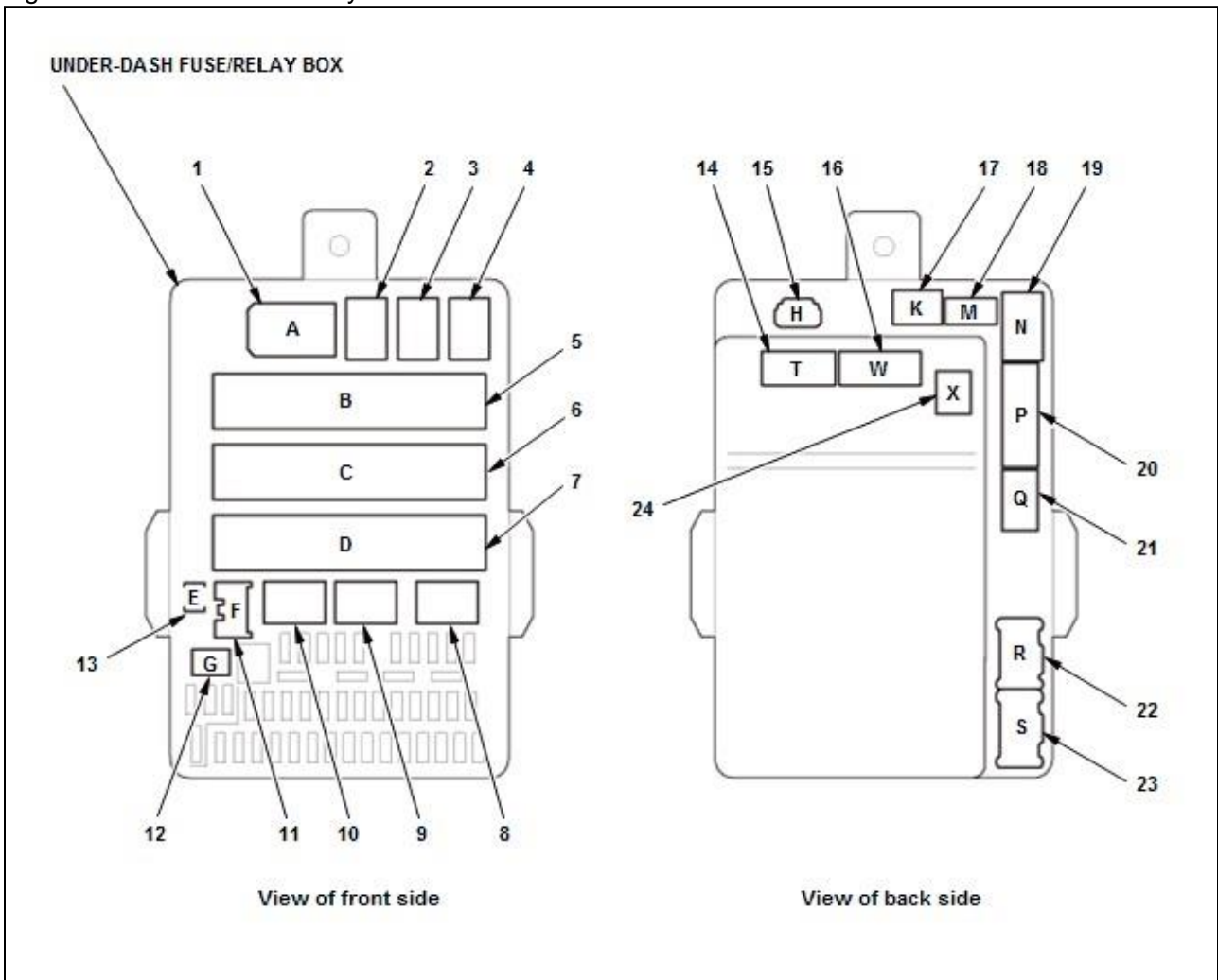
Fan control relay	1	5		
Fog light relay	6	4		
Headlight relay 1	3	4		
Headlight relay 2	5	4		
Horn relay	7	4		
Ignition coil relay	14	4		
PGM-FI subrelay	12	4		
Radiator fan relay	2	4		

Rear window defogger relay	11	5		
Taillight relay	8	4		
Windshield wiper high/low relay	10	5		
Windshield wiper intermittent relay	9	5		
Windshield wiper motor relay	13	4		
T1	16	---	Starter cable	
T101	17	---	Engine wire harness	

FUSE RELAY BOX CONNECTOR LOCATIONS > FUSE/RELAY BOX CONNECTOR

LOCATIONS (2013-15) > UNDER-DASH FUSE/RELAY BOX

Fig 1: Under-Dash Fuse/Relay Box



Courtesy of HONDA, U.S.A., INC.

Under-Dash Fuse/Relay Box Legend

Socket	Ref	Terminals	Connects to	Notes
A	1	5	Dashboard wire harness	
B	5	44	Left side wire harness	
C	6	38	Engine compartment wire harness	
D	7	32	Engine compartment wire harness	
E	13	4	Not used	
Electronic throttle control system (ETCS) control relay	10	4		
F	11	6	Not used	
Front accessory power socket relay	3	4		
G	12	3	Not used	
H	15	4	Dashboard wire harness	
K	17	12	Dashboard wire harness	
M	18	7	Dashboard wire harness	
N	19	13	Dashboard wire harness	
P	20	20	Dashboard wire harness	
PGM-FI main relay 1	9	4		
PGM-FI main relay 2	2	4		
Power window relay	8	4		
Q	21	16	Dashboard wire harness	
R	22	8	Dashboard wire harness	
S	23	10	Dashboard wire harness	
Starter cut relay 2	4	4		
T	14	20	Dashboard wire harness	

W	16	24	Dashboard wire harness	
X	24	10	Dashboard wire harness	