

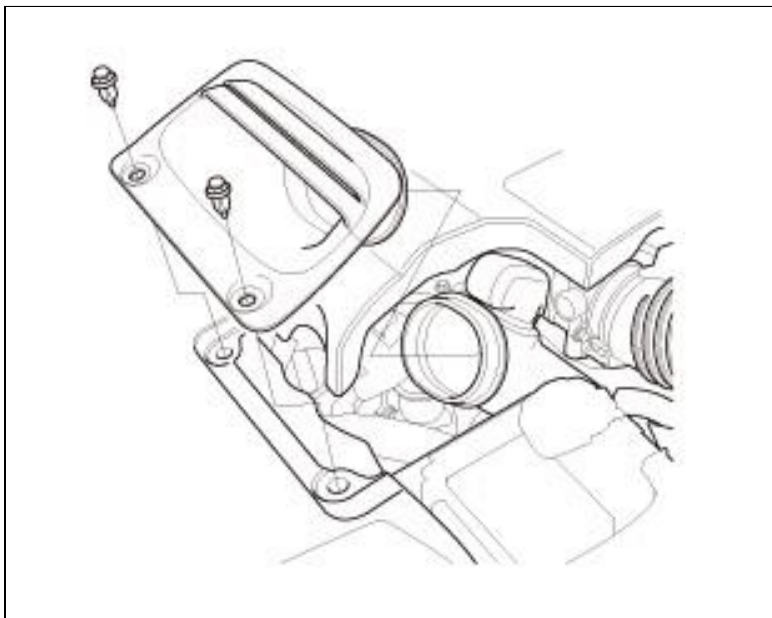
Radiator And A/C Condenser Fan, Motor, And Shroud Removal And Installation (2013-18)

Removal

1. Battery – Remove

1. Do the battery removal procedure .

2. Air Intake Scoop - Remove



Courtesy of HONDA, U.S.A., INC.

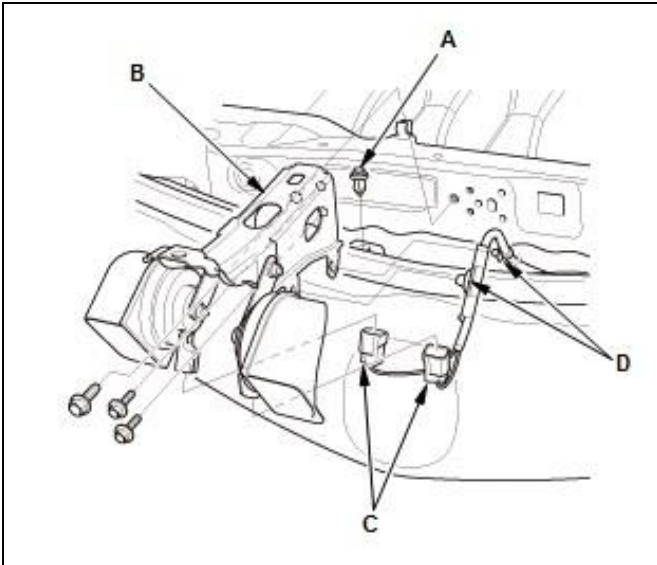
1. Remove the air intake scoop.

3. Front Grille Cover - Remove

1. Remove the front grille cover .

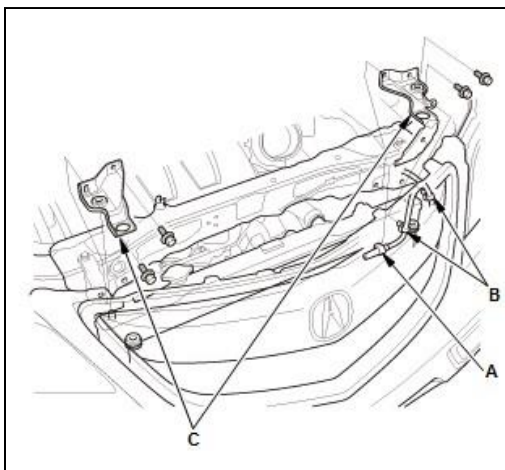
4. Horn Bracket - Remove

1. Remove the clip (A) and the horn bracket (B)
2. Disconnect the horn connectors (C)
3. Remove the harness clamps (D).



Courtesy of HONDA, U.S.A., INC.

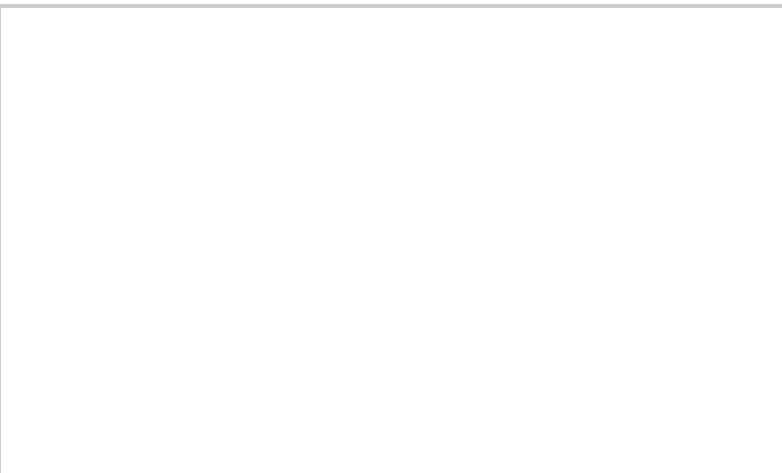
5. Radiator Upper Mount Bracket - Remove



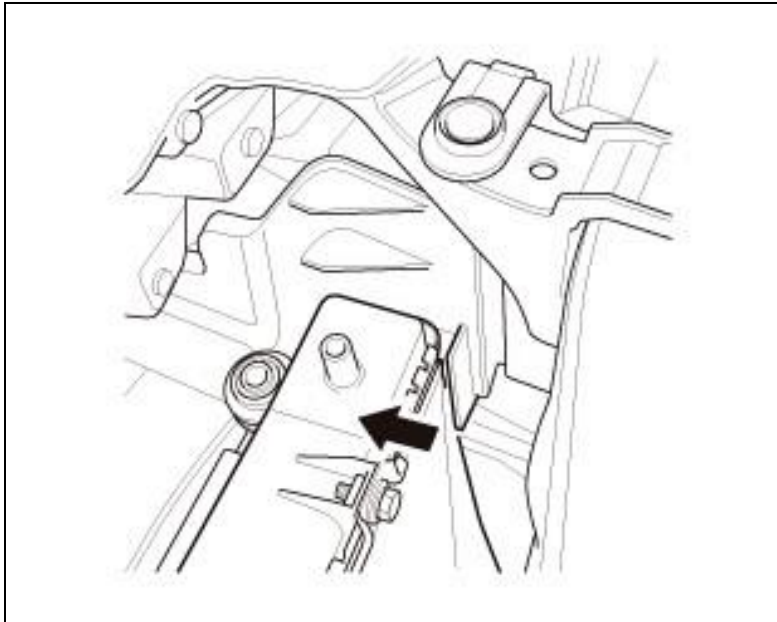
Courtesy of HONDA, U.S.A., INC.

1. Remove the outside air temperature sensor (A) and the harness clamps (B)
2. Remove the radiator mount upper brackets (C).

6. Radiator - Move

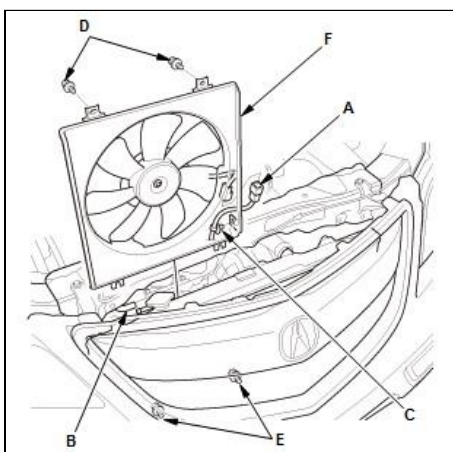


1. Move the radiator as shown.



Courtesy of HONDA, U.S.A., INC.

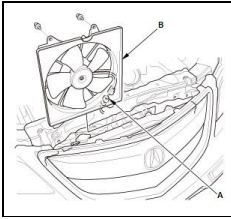
7. A/C Condenser Fan Shroud Assembly - Remove



Courtesy of HONDA, U.S.A., INC.

1. Disconnect the A/C condenser fan motor connector (A) and the coolant reservoir hose (B)
2. Remove the harness clamp (C)
3. Remove the bolts (D), and loosen the bolts (E)
4. Remove the A/C condenser fan shroud assembly (F).

8. Radiator Fan Shroud Assembly - Remove

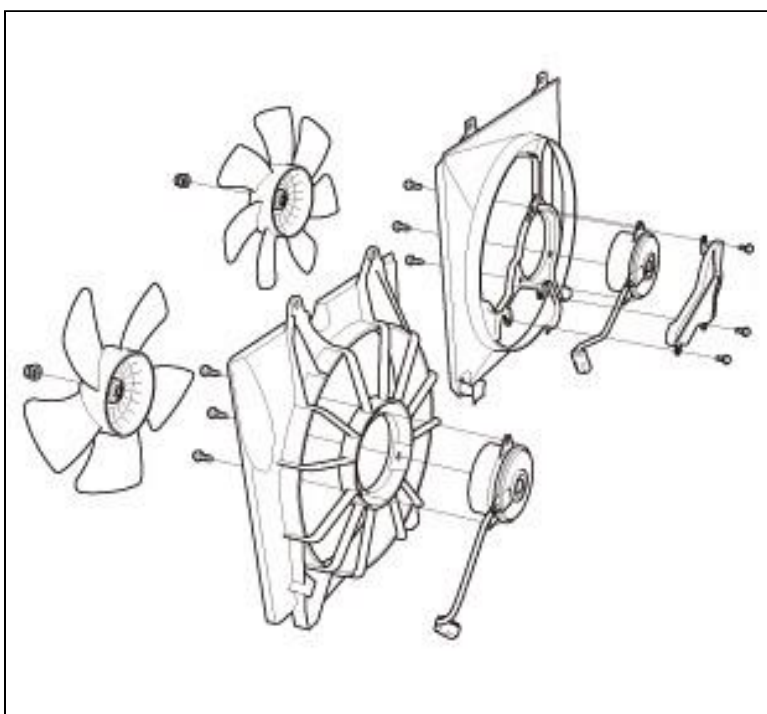


Courtesy of HONDA,
U.S.A., INC.

1. Disconnect the radiator fan motor connector (A)
2. Remove the radiator fan shroud assembly (B).

NOTE: Pull-up the radiator, then move the radiator fan shroud assembly toward the right side of the vehicle to allow for enough space to lift it up and away from the A/C condenser fan shroud assembly.

9. Fan Shroud - Disassemble



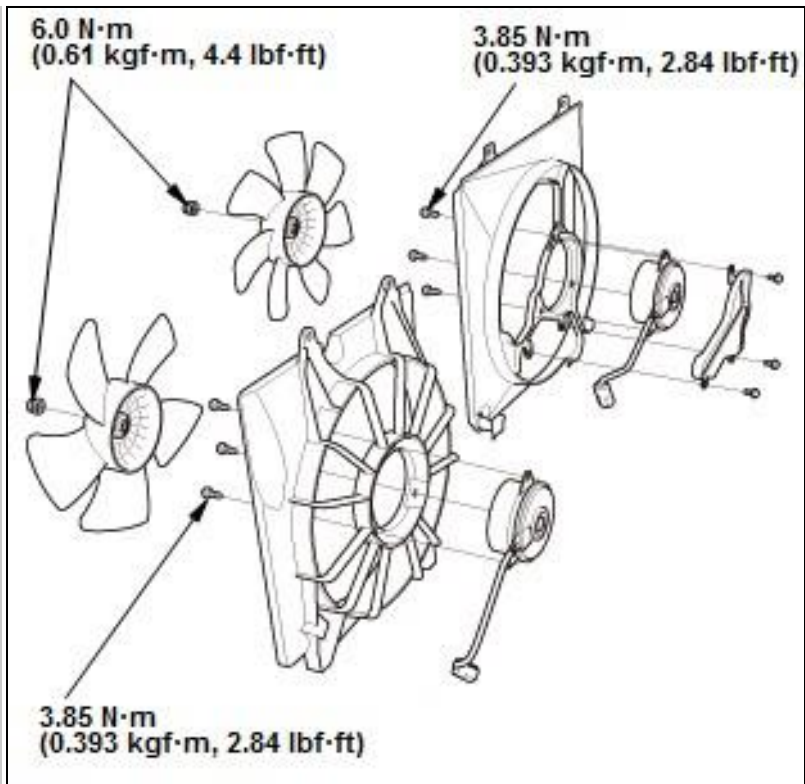
Courtesy of HONDA, U.S.A., INC.

1. Disassemble the fan shrouds.

Installation

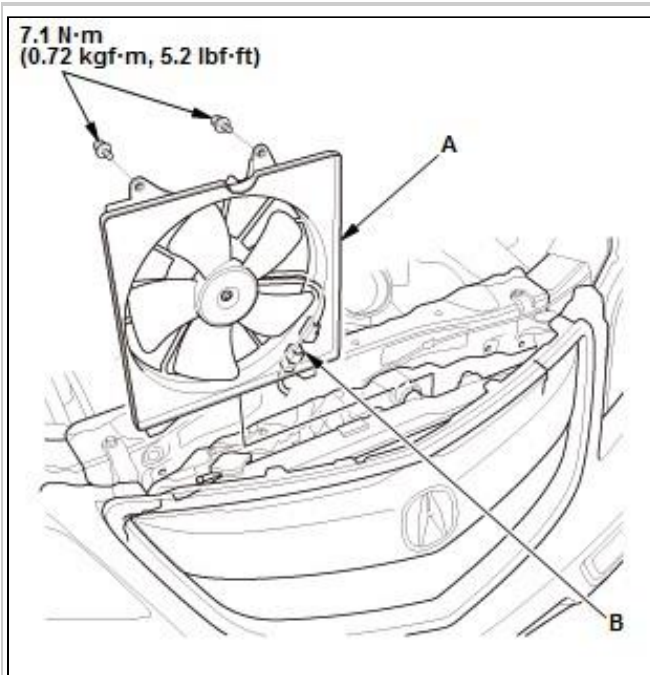
1. Fan Shroud - Assemble

1. Assemble the fan shrouds.



Courtesy of HONDA, U.S.A., INC.

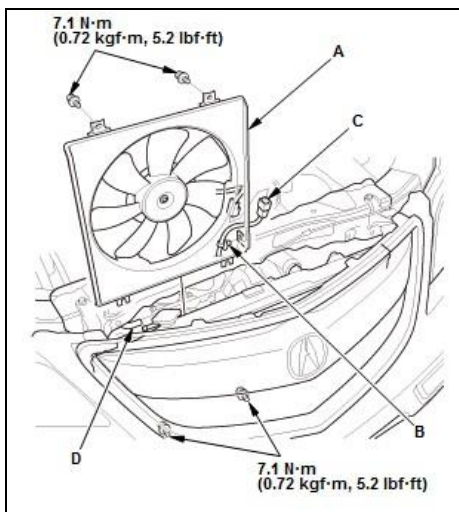
2. Radiator Fan Shroud Assembly - Install



Courtesy of HONDA, U.S.A., INC.

1. Install the radiator fan shroud assembly (A)
2. Connect the radiator fan motor connector (B).

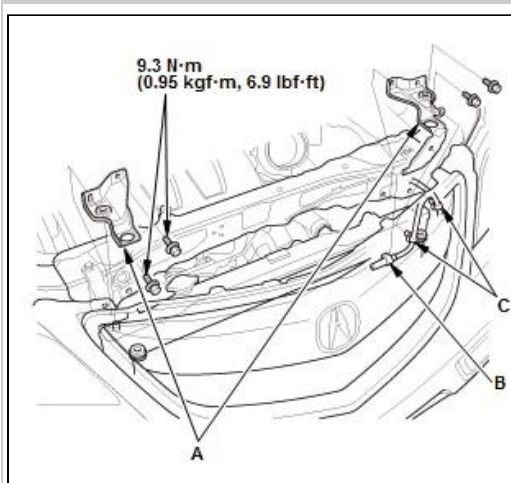
3. A/C Condenser Fan Shroud Assembly - Install



Courtesy of HONDA, U.S.A., INC.

1. Install the A/C condenser fan shroud assembly (A)
2. Install the harness clamp (B)
3. Connect the A/C condenser fan motor connector (C) and the coolant reservoir hose (D).

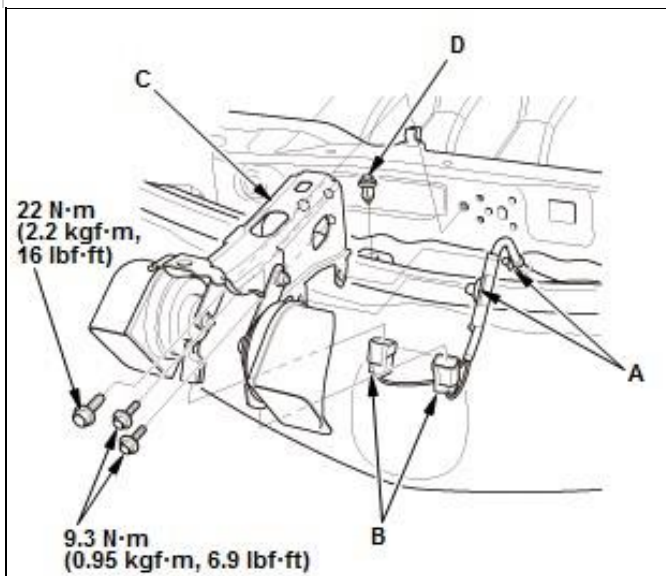
4. Radiator Upper Mount Bracket - Install



1. Install the radiator mount upper brackets (A)
2. Install the outside air temperature sensor (B) and the harness clamps (C).

Courtesy of HONDA, U.S.A., INC.

5. Horn Bracket - Install



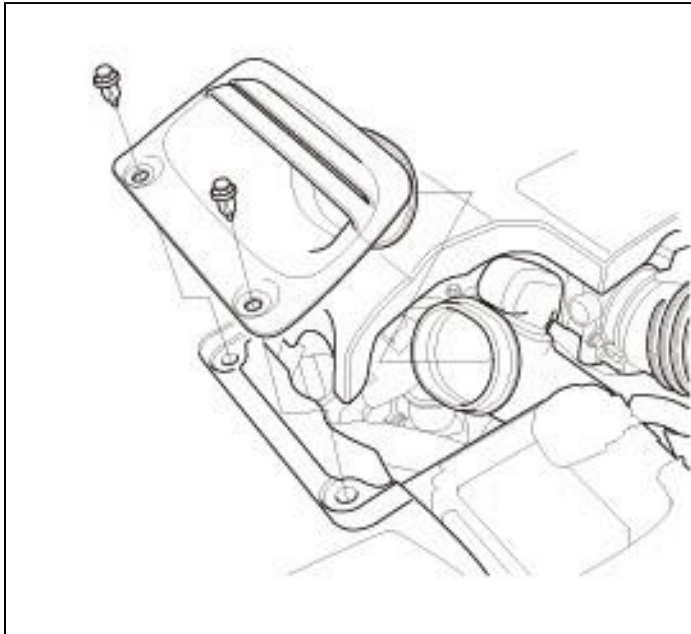
1. Install the harness clamps (A)
2. Connect the horn connectors (B)
3. Install the horn bracket (C) and the clip (D).

Courtesy of HONDA, U.S.A., INC.

6. Front Grille Cover - Install

1. Install the front grille cover .

7. Air Intake Scoop - Install



1. Install the air intake scoop.

Courtesy of HONDA, U.S.A., INC.

8. Battery - Install

1. Do the battery installation procedure .

