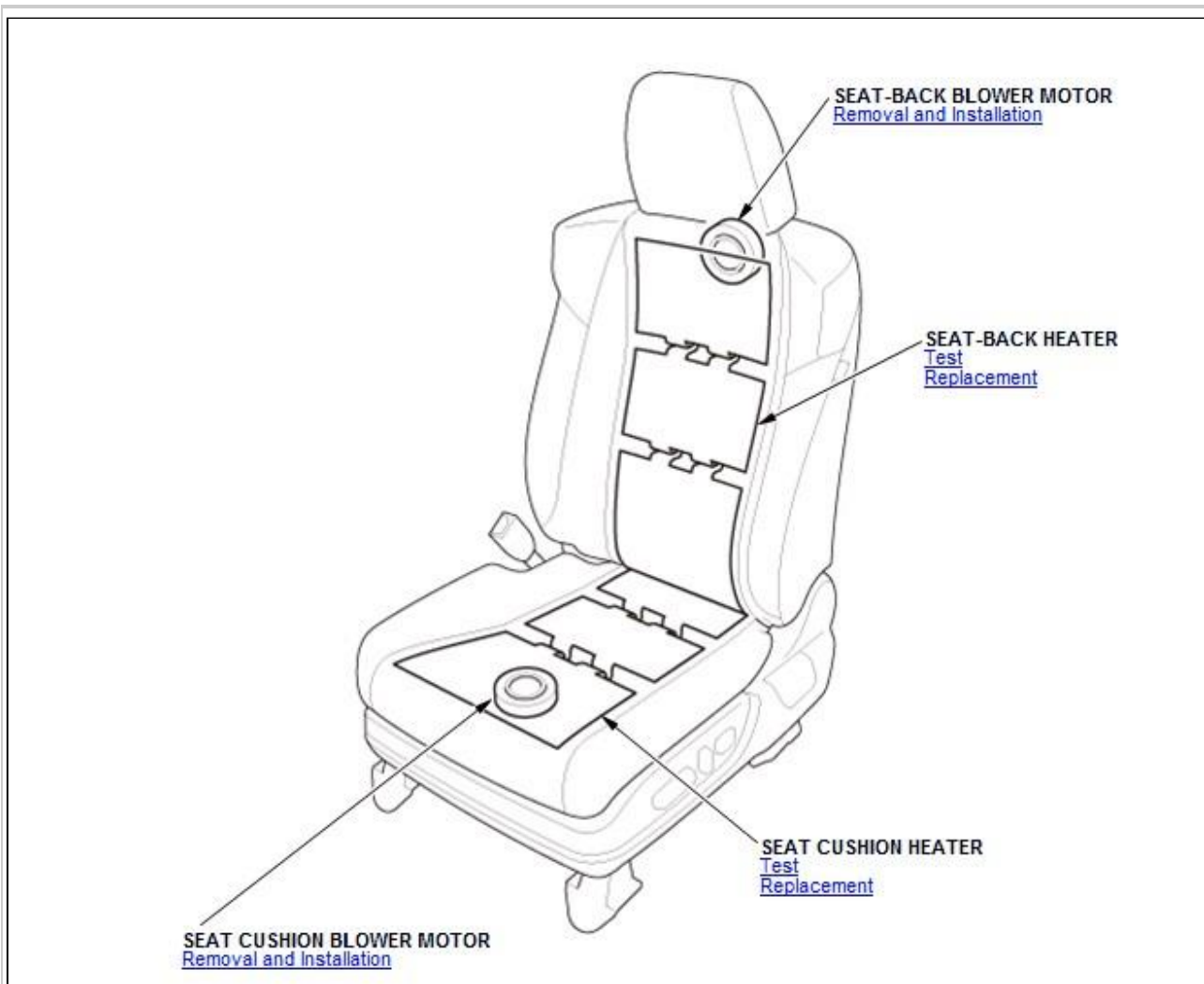


COMPONENT LOCATION INDEX > VENTILATED SEATS COMPONENT LOCATION INDEX (2016-18)

Driver's Seat



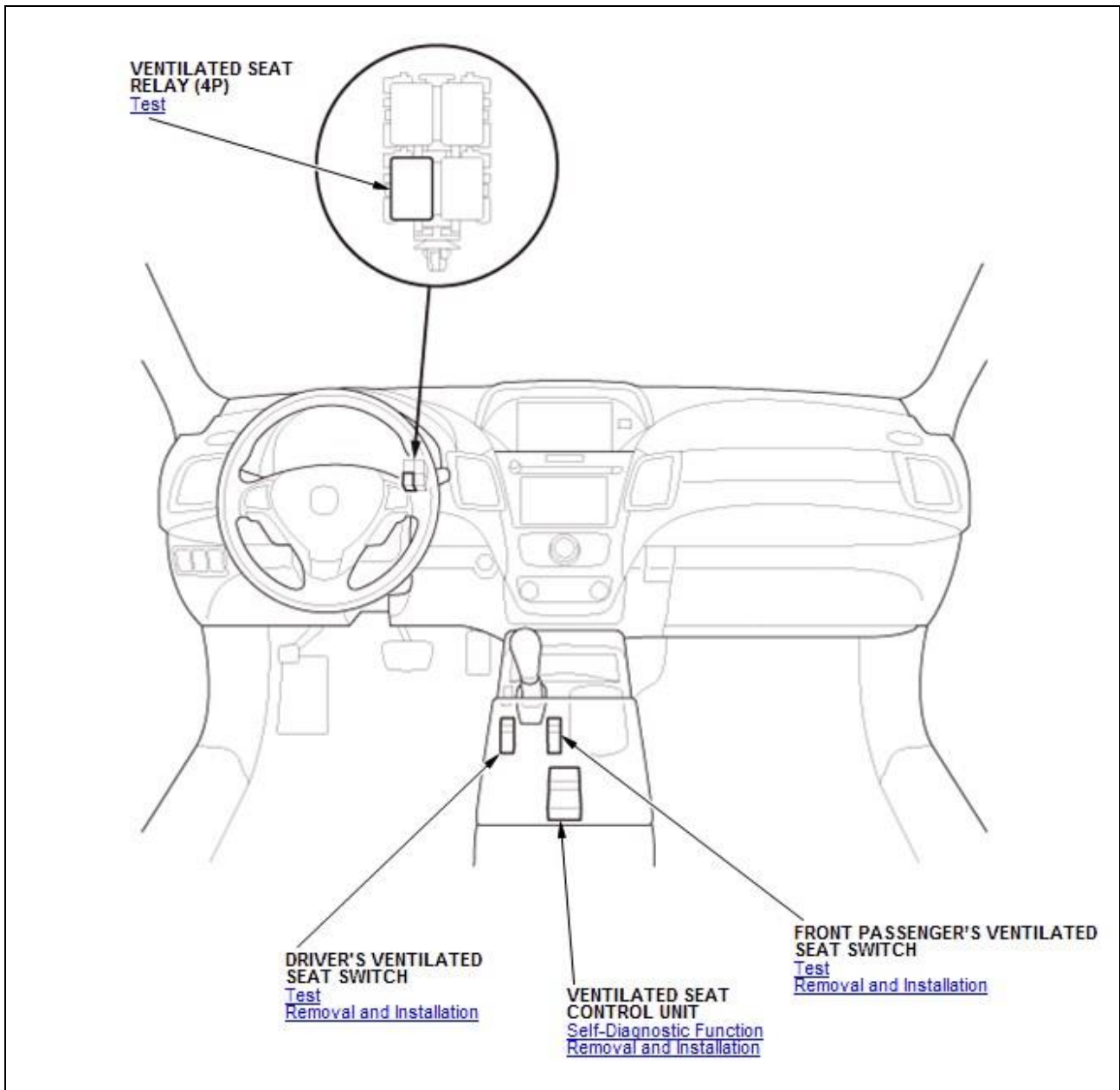
Courtesy of HONDA, U.S.A., INC.

Front Passenger's Seat





Courtesy of HONDA, U.S.A., INC.

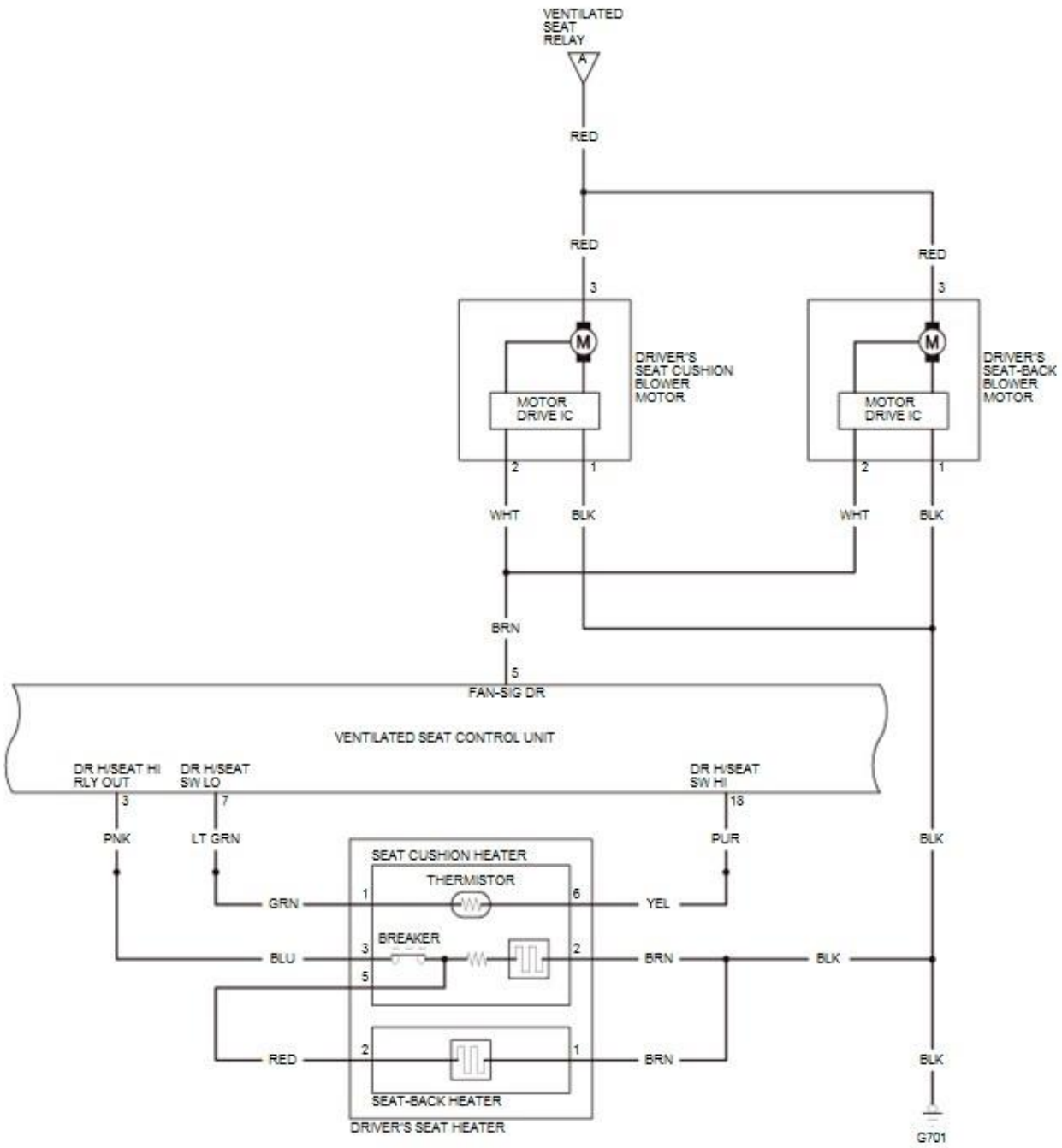


Courtesy of HONDA, U.S.A., INC.

CIRCUIT DIAGRAM > VENTILATED SEATS CIRCUIT DIAGRAM (2016-18)

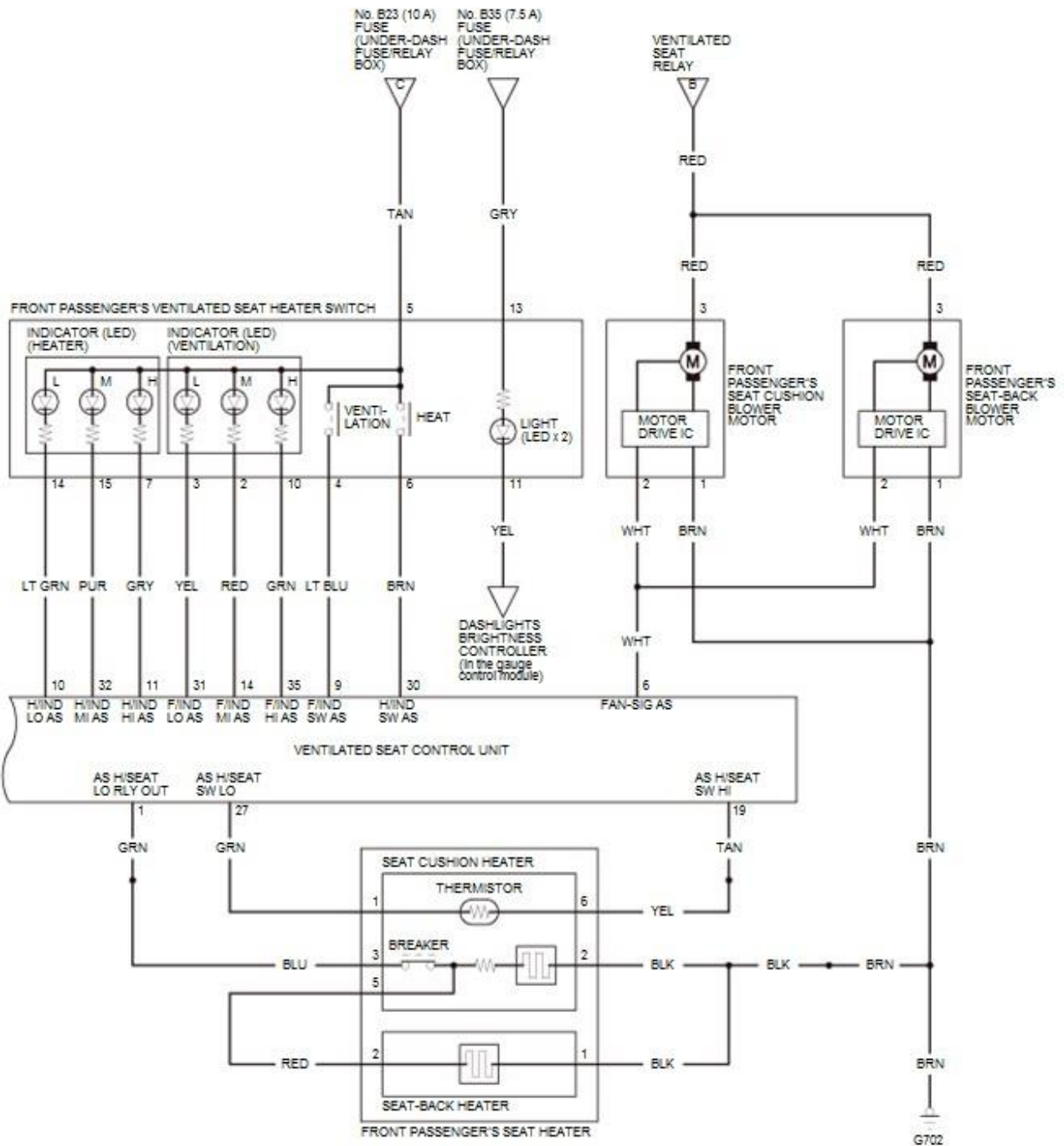


BREAKER [ON: 45-55 °C (113-131 °F)]
[OFF: 75-85 °C (167-185 °F)]



Courtesy of HONDA, U.S.A., INC.

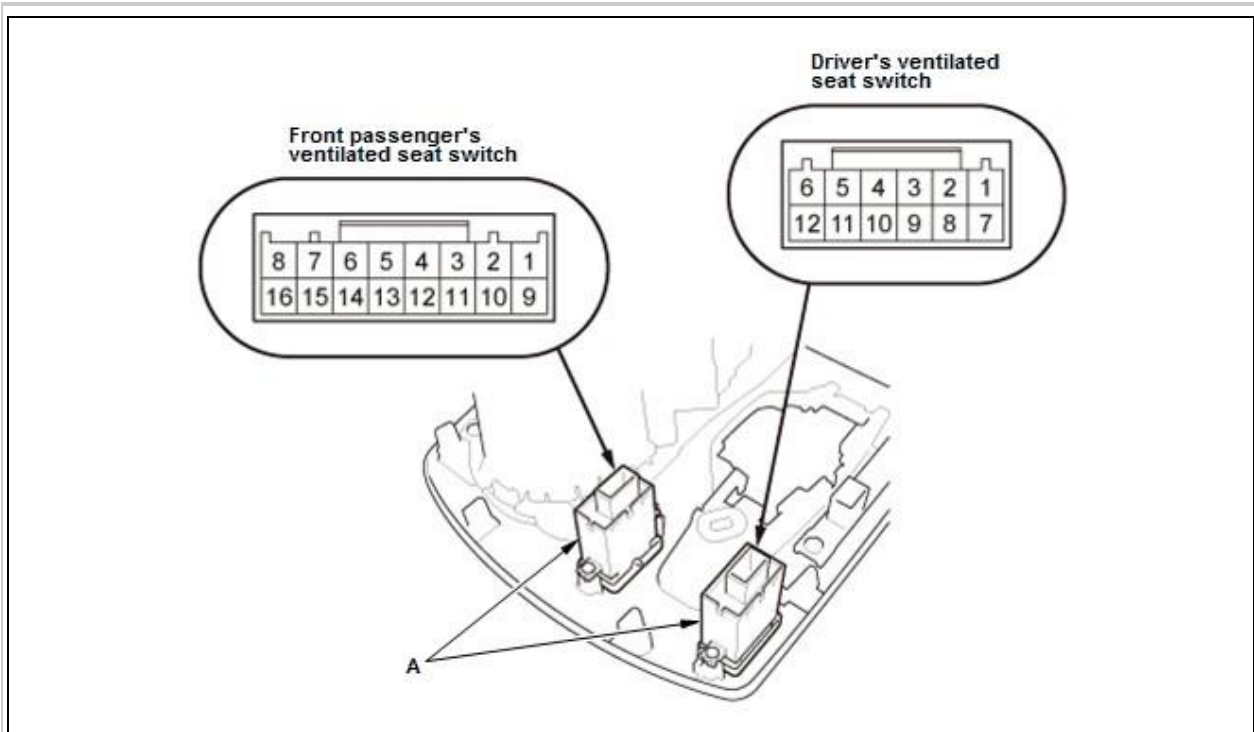
BREAKER [ON: 45-55 °C (113-131 °F)]
 [OFF: 75-85 °C (167-185 °F)]



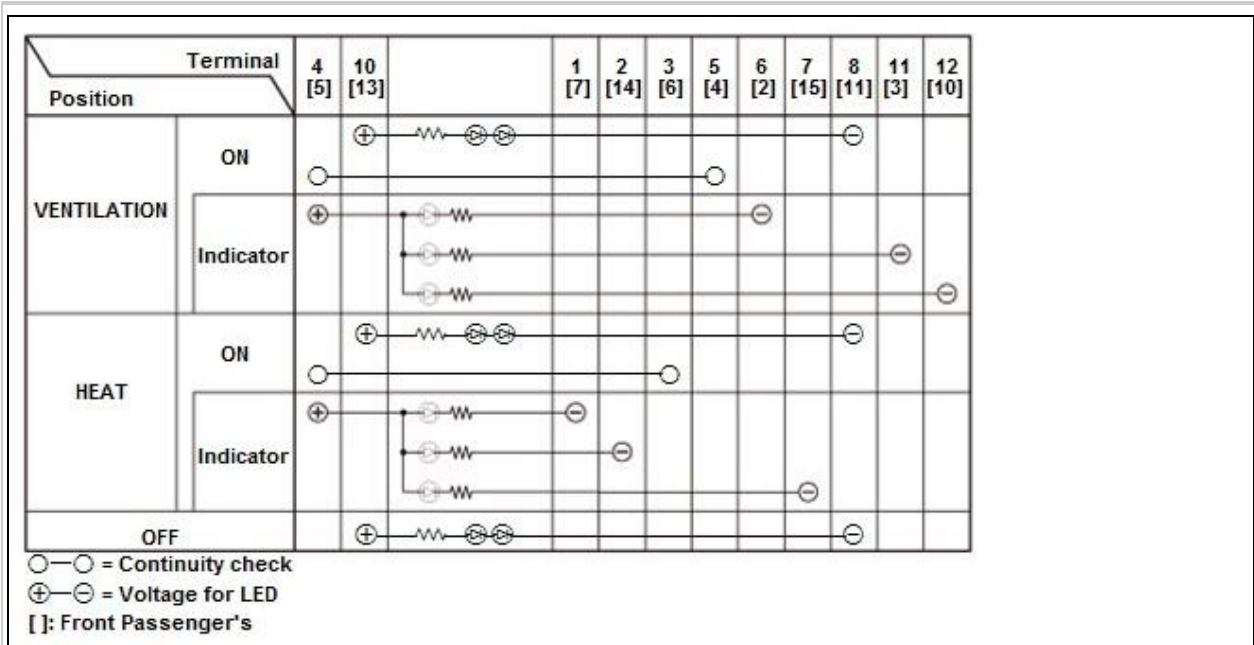
Courtesy of HONDA, U.S.A., INC.

TESTING > VENTILATED SEAT SWITCH TEST (2016-18) > TEST

1. Center Console Panel - Remove
2. Ventilated Seat Switch - Test
 1. When an LED is located between terminals, check if the LED lights up by connecting power and ground to the LED.
 2. Note this important operating characteristic; diode bias causes a diode to fully conduct electricity in one direction (forward), while not at all in the opposite direction (reverse).



Courtesy of HONDA, U.S.A., INC.



Courtesy of HONDA, U.S.A., INC.

2. If the result is not as specified, replace the ventilated seat switch(s) .
3. All Removed Parts - Install

1. Install the parts in the reverse order of removal.