

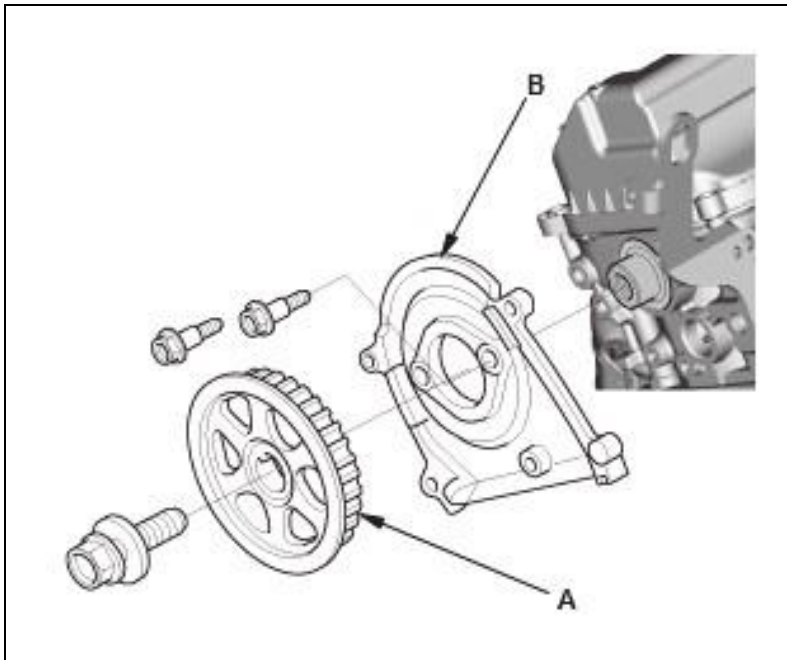
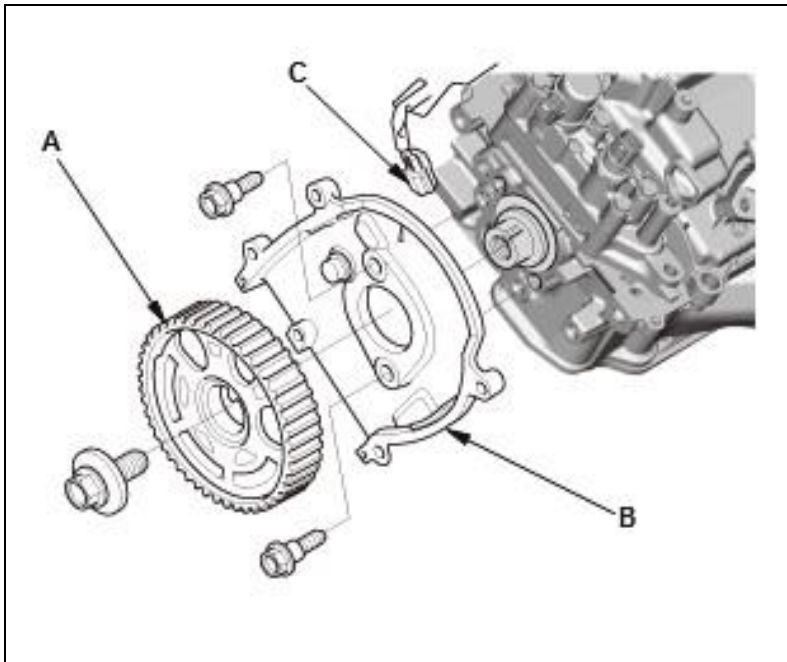
## Camshaft Pulley Removal And Installation (2016-18)

### Removal

1. Timing Belt - Remove
2. Camshaft Pulley - Remove

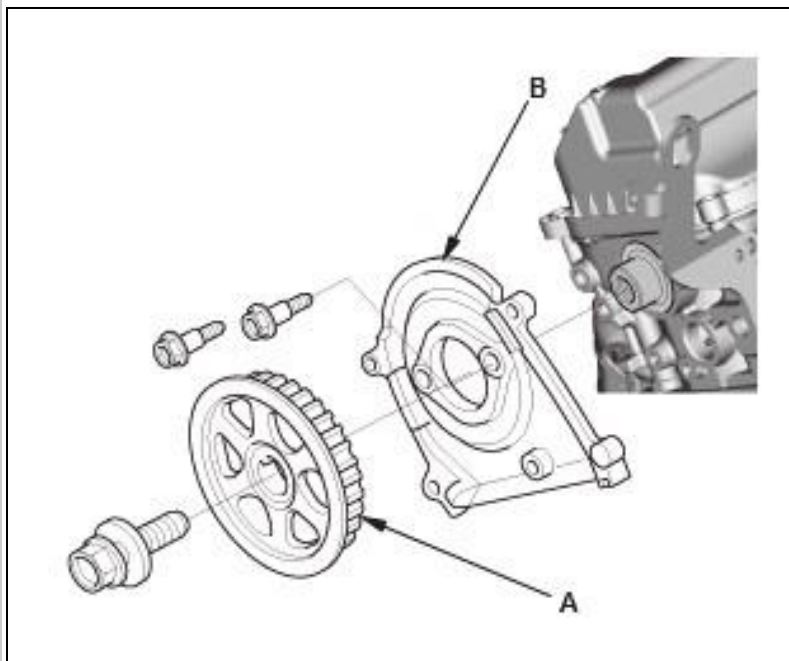
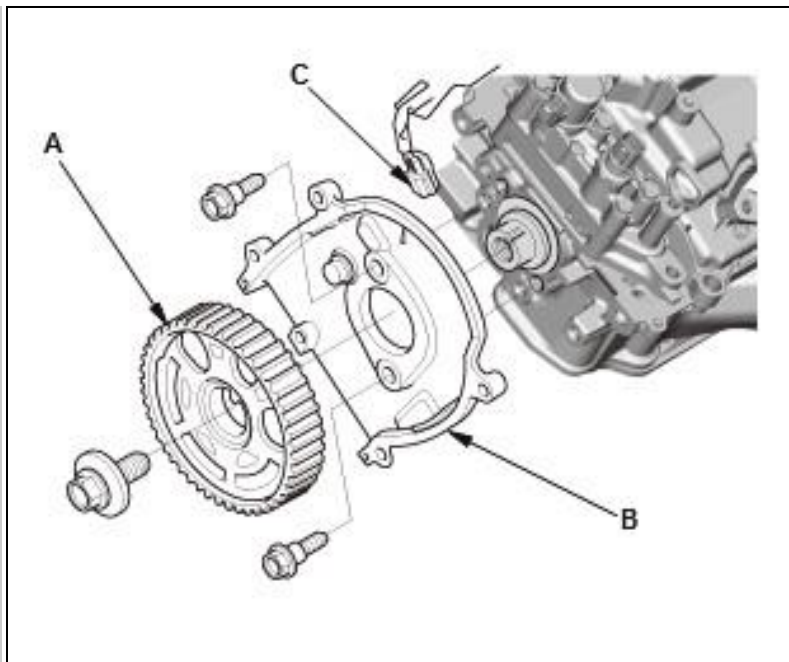
**FRONT**

1. Remove the camshaft pulleys (A) and the back covers (B)
2. Front: Disconnect the connector(C).



Courtesy of HONDA, U.S.A., INC. HONDA, U.S.A., INC.

**REAR**



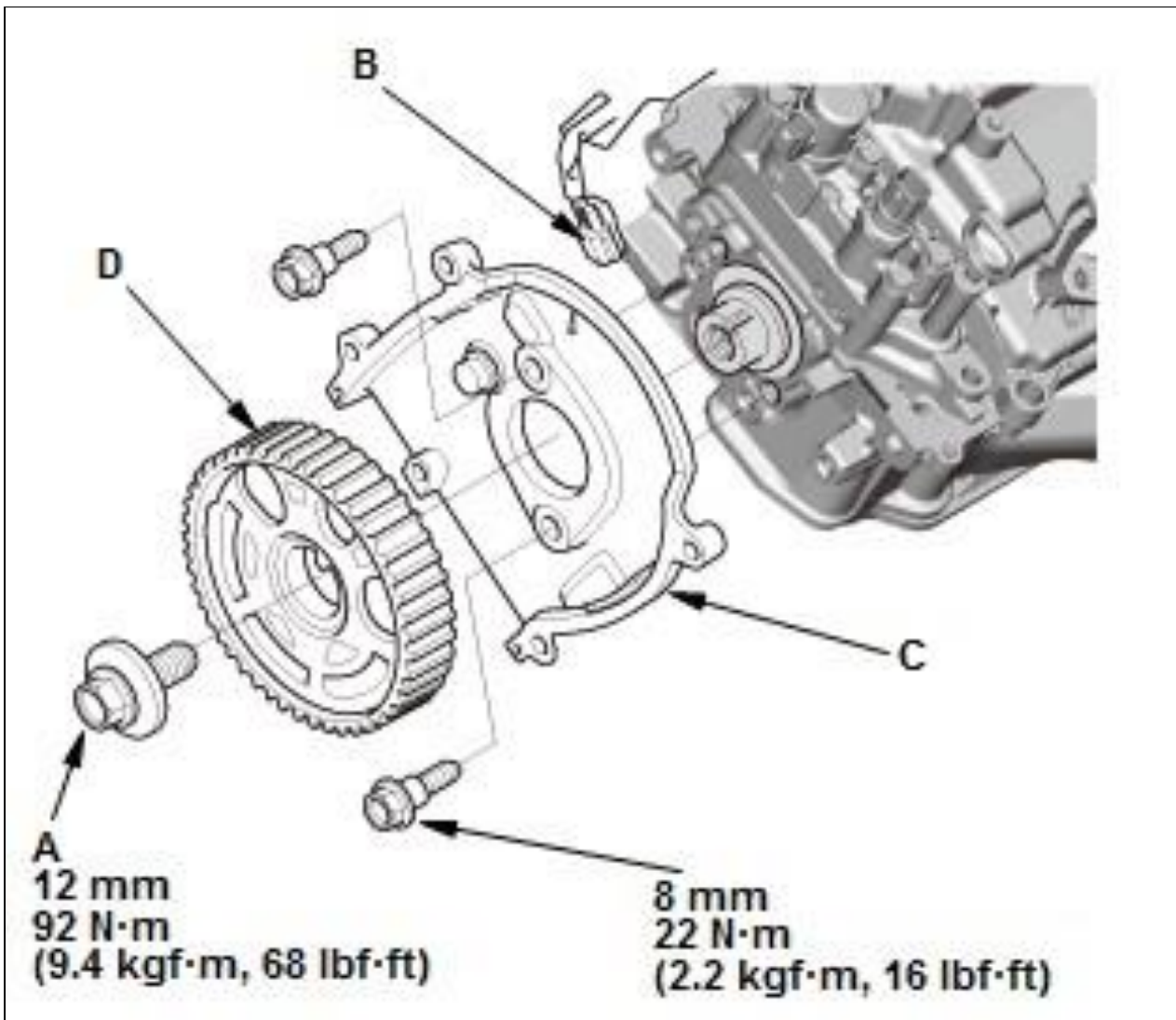
Courtesy of HONDA, U.S.A., INC. HONDA, U.S.A., INC.

### Installation 1. Camshaft

Pulley - Install Fig 1: Front

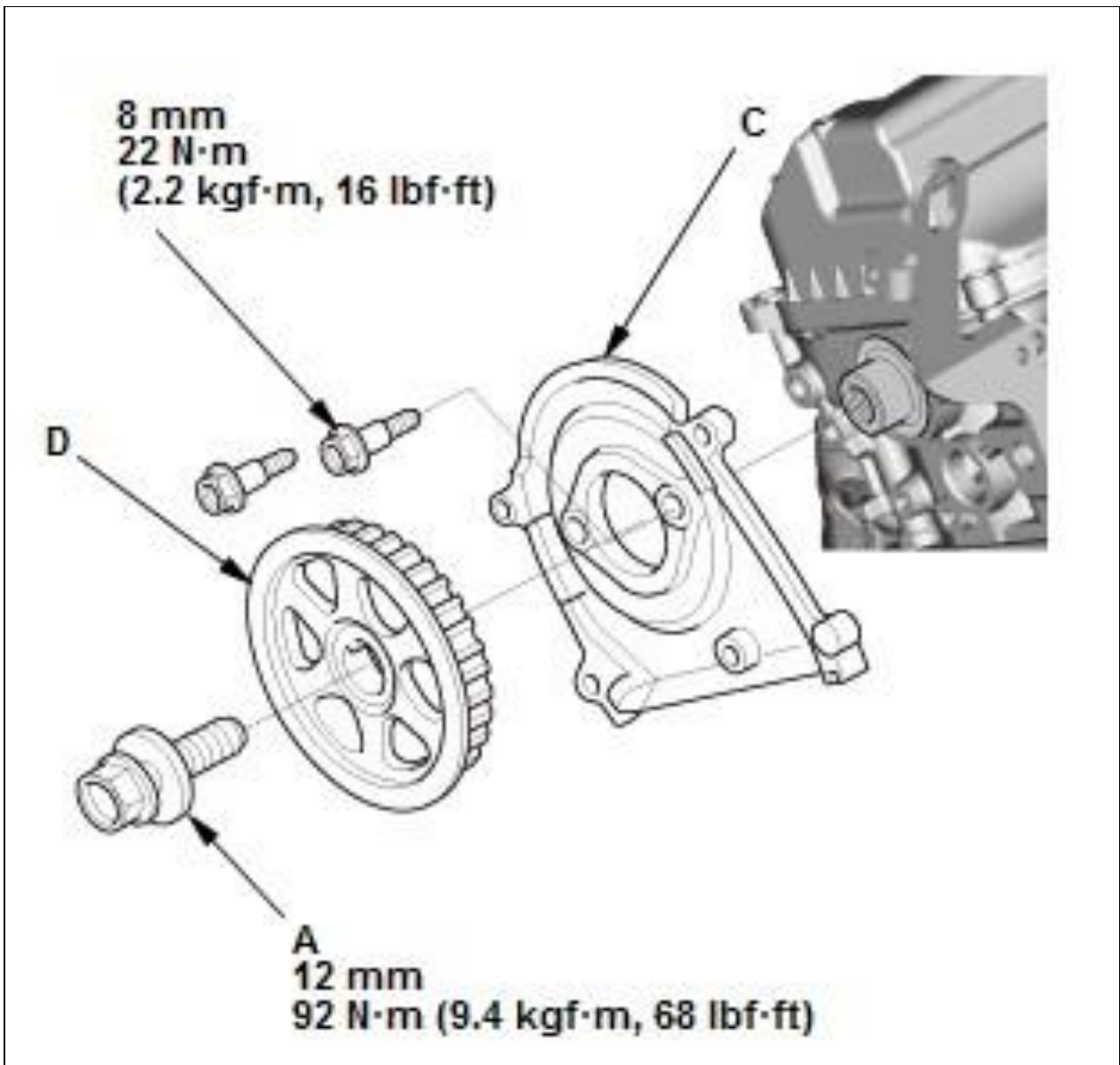
Camshaft Pulley With

Torque Specifications



Courtesy of HONDA, U.S.A., INC.

Fig 2: Rear Camshaft Pulley With Torque Specifications



Courtesy of HONDA, U.S.A., INC.

1. Apply new engine oil to the threads of the camshaft pulley mounting bolt (A)
2. Front: Connect the connector (B)
3. Install the back cover (C) and the camshaft pulley (D).

## 2. Timing Belt - Install