

REMOVAL & INSTALLATION > SPEAKER REMOVAL, INSTALLATION, AND TEST (2013-18) > REMOVAL

SRS components are located in this area. Review the SRS component locations - Refer to: SRS Component Location Index (2013-18), or SRS Component Location Index (2013-18) and the precautions and procedures - Refer to: SRS Precautions and Procedures (2013-15), or SRS Precautions and Procedures (2016-18) before doing repairs or service.

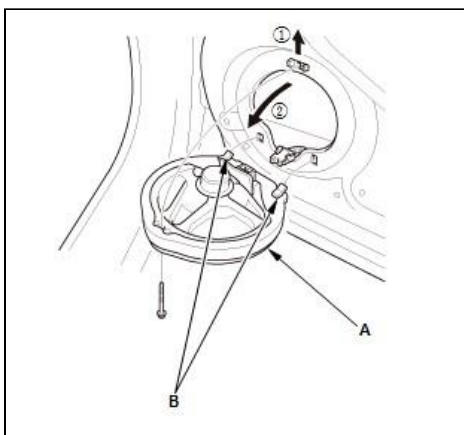
Door Speaker

1. Door Panel - Remove

1. Remove the door panel:

1. Front door panel - Refer to: Front Door Panel Removal and Installation (2013-18), or Front Door Panel Removal and Installation(With BSI Alert Indicator) (2016-18)
2. Rear door panel

2. Door Speaker - Remove



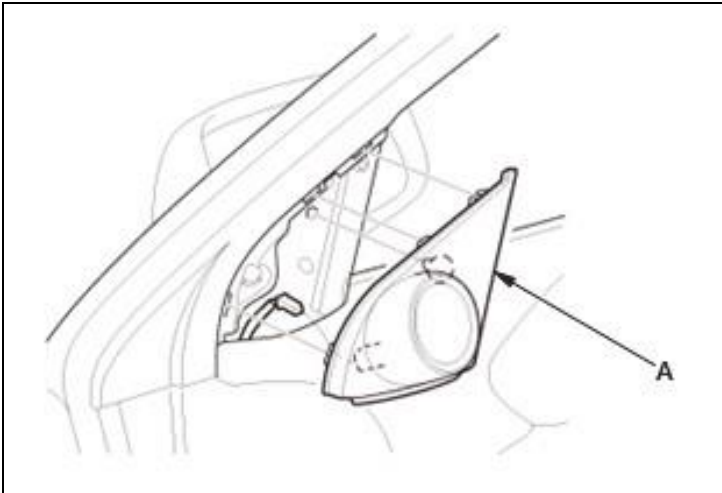
1. Remove the bolt, then lift the door speaker (A) straight up to release the lower clips (B)
2. Disconnect the door speaker connector.

Courtesy of HONDA, U.S.A., INC.

Tweeter

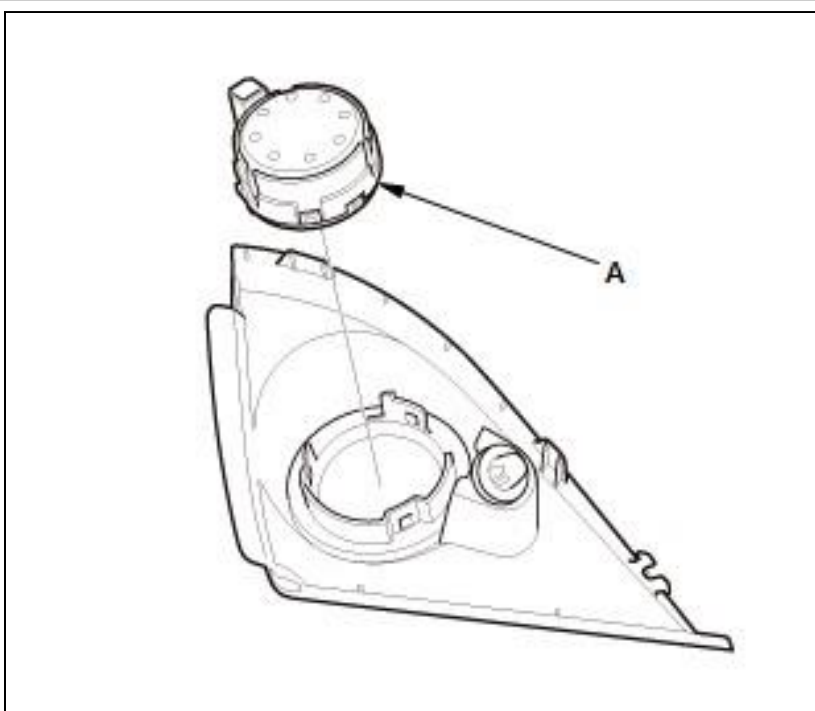
3. Door Mirror Garnish - Remove

1. Remove the door mirror garnish (A)
2. Disconnect the tweeter connector.



Courtesy of HONDA, U.S.A., INC.

4. Tweeter - Remove



Courtesy of HONDA, U.S.A., INC.

1. Remove the tweeter (A).

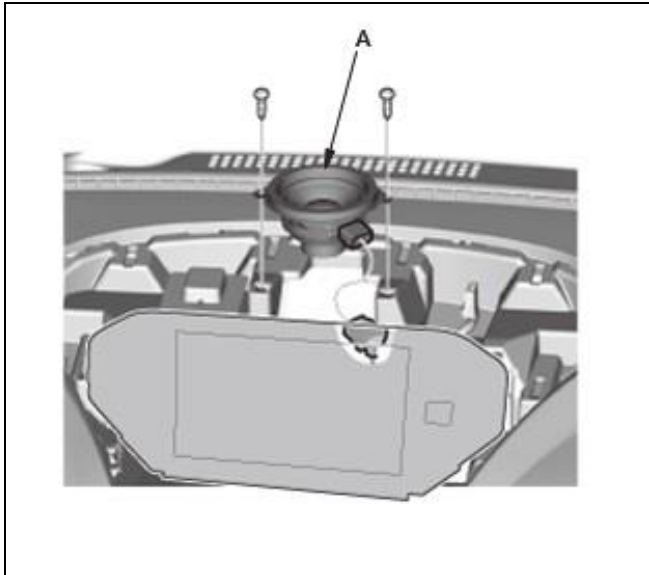
Front Center Speaker

5. Center Display Visor - Remove

1. Remove the center display visor .

6. Front Center Speaker - Remove

1. Pull out the front center speaker (A)



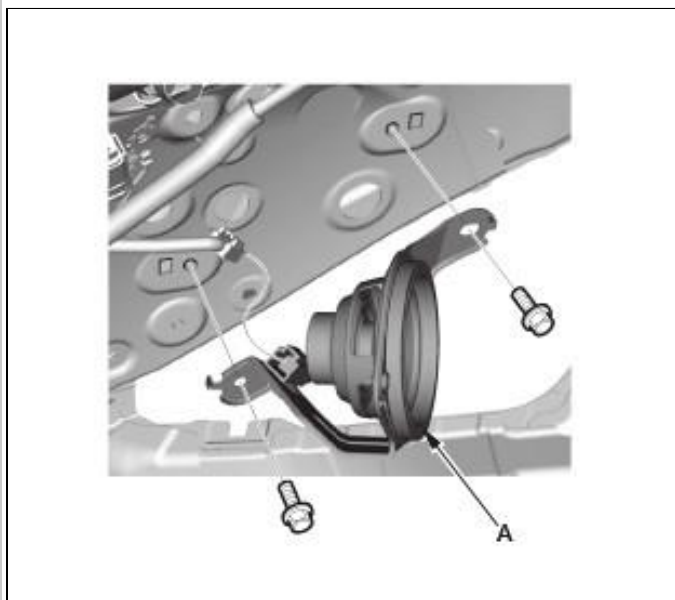
Courtesy of HONDA, U.S.A., INC.

2. Disconnect the front center speaker connector.

**Satellite Speaker 7. Quarter
Pillar Trim - Remove**

1. Remove the quarter pillar trim - Refer to: Interior Trim Removal and Installation - Cargo Areas (2013-18), or Interior Trim Removal and Installation - Pillar Areas (2013-18), or Interior Trim Removal and Installation - Rear Side Area (2013-18), or Interior Trim Removal and Installation - Tailgate Areas (2013-18), or Interior Trim Removal and Installation - Door Areas (2013-18) .

8. Satellite Speaker - Remove



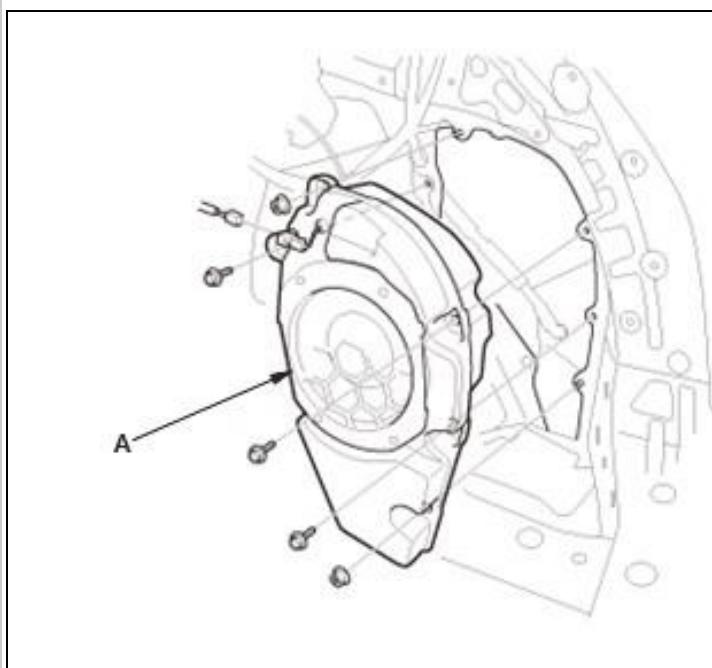
Courtesy of HONDA, U.S.A., INC.

1. Disconnect the satellite speaker connector
2. Remove the satellite speaker (A).

Subwoofer
9. Right Rear Side Trim Panel - Remove

1. Remove the right rear side trim panel - Refer to: Interior Trim Removal and Installation - Cargo Areas (2013-18), or Interior Trim Removal and Installation - Pillar Areas (2013-18), or Interior Trim Removal and Installation - Rear Side Area (2013-18), or Interior Trim Removal and Installation Tailgate Areas (2013-18), or Interior Trim Removal and Installation - Door Areas (2013-18) .

10. Subwoofer - Remove



1. Disconnect the subwoofer connector
2. Remove the subwoofer (A).

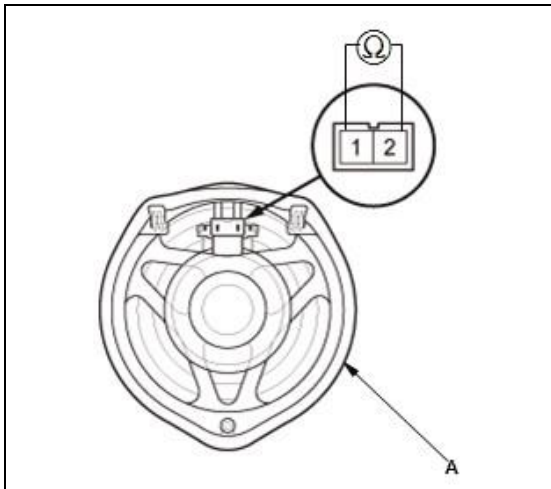
Courtesy of HONDA, U.S.A., INC.

REMOVAL & INSTALLATION > SPEAKER REMOVAL, INSTALLATION, AND TEST (2013-18) > TEST

Door Speaker

1. Speaker - Test

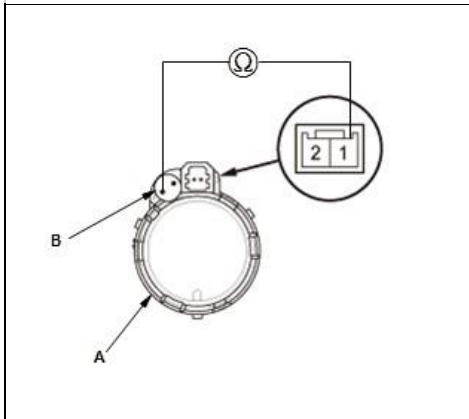
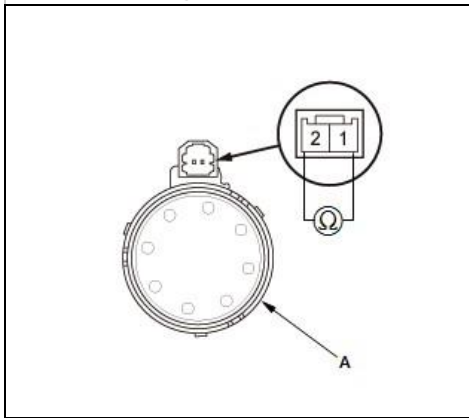
1. Measure the resistance between terminals No. 1 and No. 2:
 1. With navigation, there should be about 2 Ω .
 2. Without navigation, there should be about 4 Ω .
2. If the resistance is not as specified, replace the doorspeaker (A).



Courtesy of HONDA, U.S.A., INC.

Tweeter 2.
Tweeter - Test

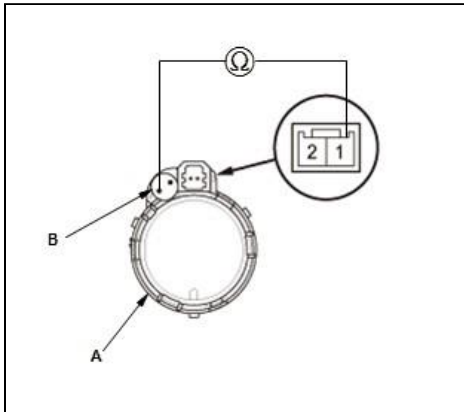
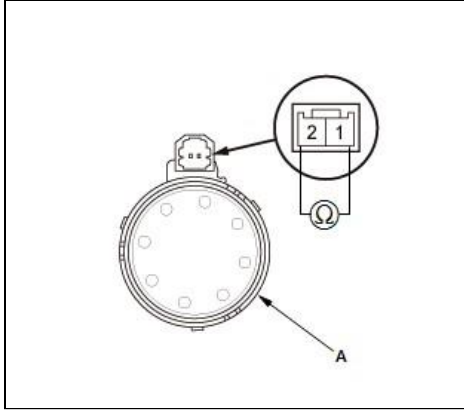
Without Navigation



1. Measure the resistance between the tweeter (A) terminals as shown:
 1. Without navigation: Measure the resistance between terminal No. 1 and terminal No. 2. There should be about 3.3 Ω .
 2. With navigation: Measure the resistance between terminal No. 1 and the outside terminal of the capacitor (B). There should be about 6 Ω . Also check the capacitor condition.
2. If the resistance is not as specified, replace the tweeter.

Courtesy of HONDA, U.S.A., INC.HONDA, U.S.A.,
INC.

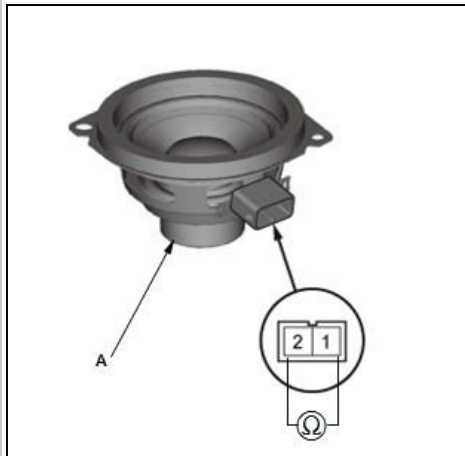
With Navigation



Courtesy of HONDA, U.S.A., INC.HONDA, U.S.A.,
INC.

Front Center Speaker

3. Front Center Speaker - Test



Courtesy of HONDA, U.S.A., INC.

1. Measure the resistance between terminals No. 1 and No. 2. There should be about 4 Ω
2. If the resistance is not as specified, replace the front center speaker (A).

Satellite Speaker

4. Satellite Speaker - Test



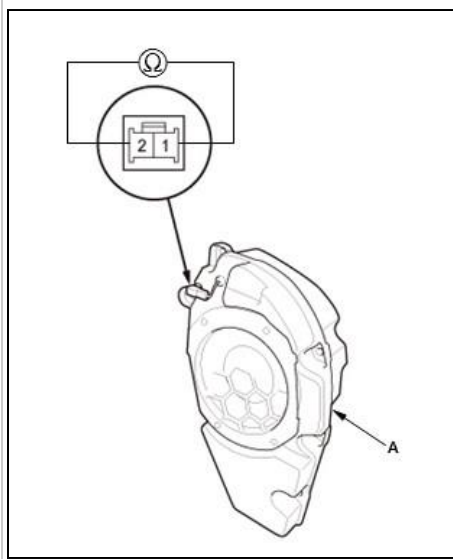
Courtesy of HONDA, U.S.A., INC.

- There should be about 4 Ω
2. If the resistance is not as specified, replace the satellite speaker (A).

1. Measure the resistance between terminals No. 1 and No. 2.

Subwoofer

5. Subwoofer - Test



Courtesy of HONDA, U.S.A., INC.

1. Measure the resistance between the terminals No. 1 and No. 2.
2. There should be about 2 Ω
2. If the resistance is not as specified, replace the subwoofer (A).

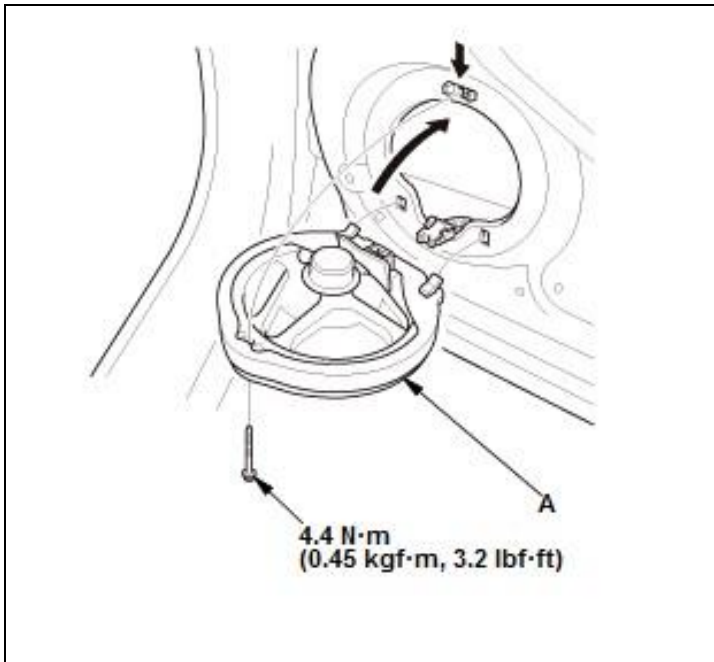
REMOVAL & INSTALLATION > SPEAKER REMOVAL, INSTALLATION, AND TEST (2013-18) > INSTALLATION

SRS components are located in this area. Review the SRS component locations - Refer to: SRS Component Location Index (2013-18), or SRS Component Location Index (2013-18) and the precautions and procedures - Refer to: SRS Precautions and Procedures (2013-15), or SRS Precautions and Procedures (2016-18) before doing repairs or service.

Door Speaker

1. Door Speaker - Install

1. Connect the door speaker connector



2. Install the door speaker (A).

Courtesy of HONDA, U.S.A., INC.

2. Door Panel - Install

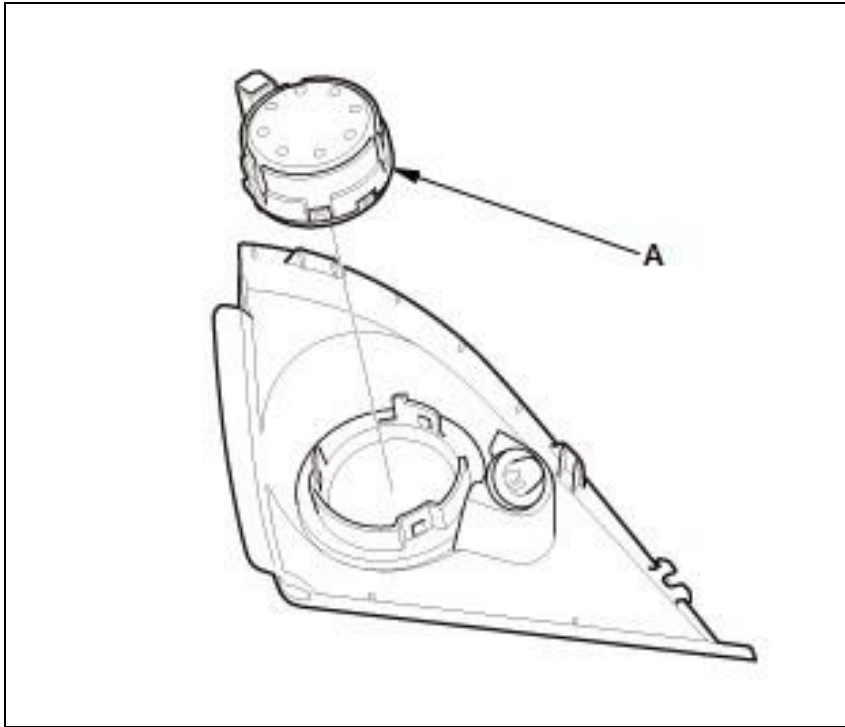
1. Install the door panel:

1. Front door panel - Refer to: Front Door Panel Removal and Installation (2013-18), or Front Door Panel Removal and Installation(With BSI Alert Indicator) (2016-18)
2. Rear door panel

Tweeter

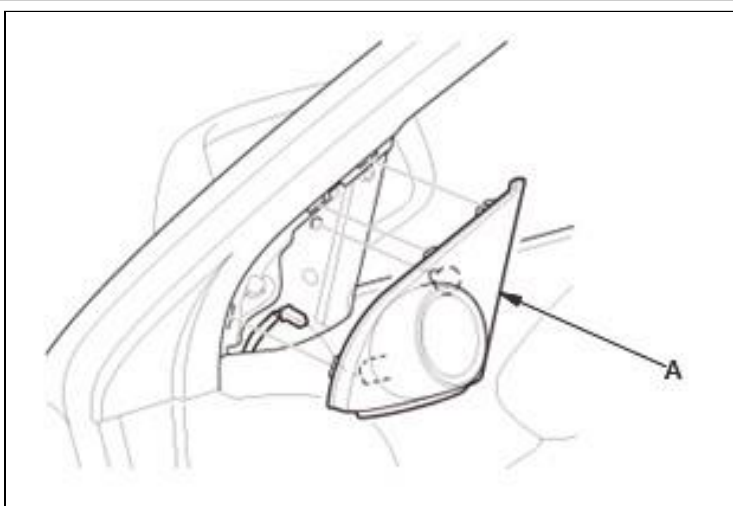
3. Tweeter - Install

1. Install the tweeter (A).



Courtesy of HONDA, U.S.A., INC.

4. Door Mirror Garnish - Install



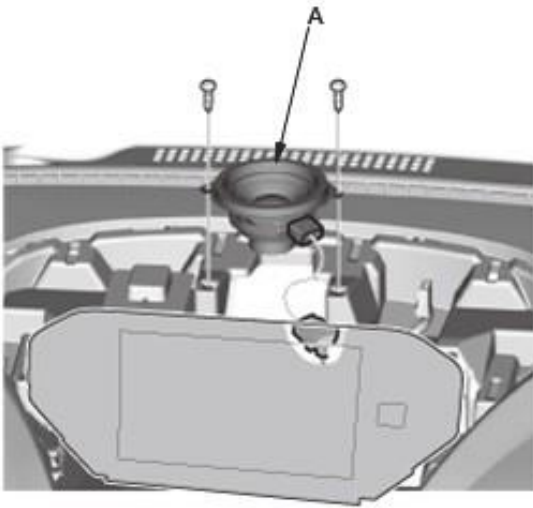
1. Connect the tweeter connector
2. Install the door mirror garnish (A).

Courtesy of HONDA, U.S.A., INC.

Front Center Speaker

5. Front Center Speaker - Install

1. Connect the front center speaker connector 2. Install the front center speaker (A).



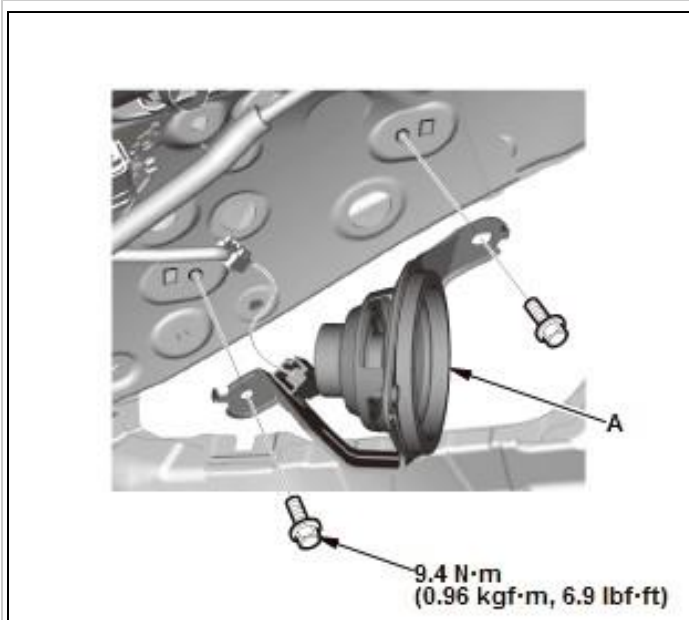
Courtesy of HONDA, U.S.A., INC.

6. Center Display Visor - Install

1. Install the center display visor .

Satellite Speaker

7. Satellite Speaker - Install



Courtesy of HONDA, U.S.A., INC.

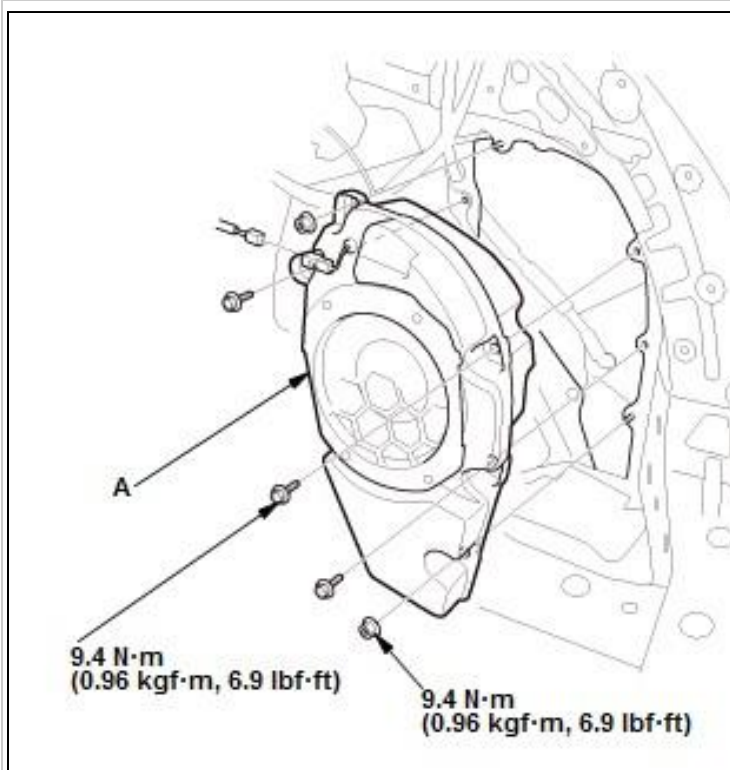
1. Install the satellite speaker (A)
2. Connect the satellite speaker connector.

8. Quarter Pillar Trim - Install

1. Install the quarter pillar trim - Refer to: Interior Trim Removal and Installation - Cargo Areas (2013-18), or Interior Trim Removal and Installation - Pillar Areas (2013-18), or Interior Trim Removal and Installation - Rear Side Area (2013-18), or Interior Trim Removal and Installation - Tailgate Areas (2013-18), or Interior Trim Removal and Installation - Door Areas (2013-18) .

Subwoofer

9. Subwoofer - Install



1. Install the subwoofer (A)
2. Connect the subwoofer connector.

Courtesy of HONDA, U.S.A., INC.

10. Right Rear Side Trim Panel - Install

1. Install the right rear side trim panel - Refer to: Interior Trim Removal and Installation - Cargo Areas (2013-18), or Interior Trim Removal and Installation - Pillar Areas (2013-18), or Interior Trim Removal and Installation - Rear Side Area (2013-18), or Interior Trim Removal and Installation Tailgate Areas (2013-18), or Interior Trim Removal and Installation - Door Areas (2013-18) .