

Dashboard Center Display Visor Removal And Installation (2013-18)

Removal

1. Dashboard Center Panel - Remove

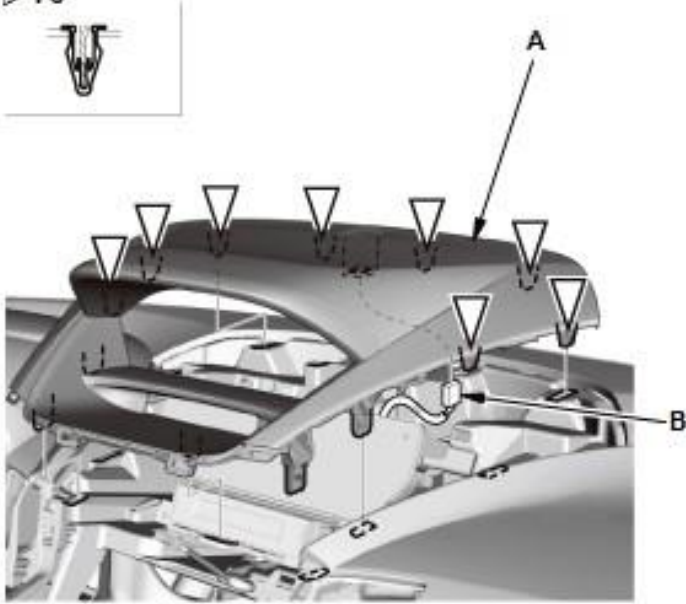
- | |
|---|
| <ol style="list-style-type: none">1. Remove the dashboard center panel:<ol style="list-style-type: none">1. Without navigation2. With navigation - Refer to: Audio-Navigation Unit Removal and Installation (2013-15), or Audio-Navigation Unit Removal and Installation (2016-18) |
|---|

2. Center Display Visor - Remove

| | |
|---------------------------|--|
| Without navigation | Center Display Visor Assembly <ol style="list-style-type: none">1. Remove the center display visor assembly (A)2. Disconnect the automatic lighting/sunlight sensor connector (B). |
|---------------------------|--|

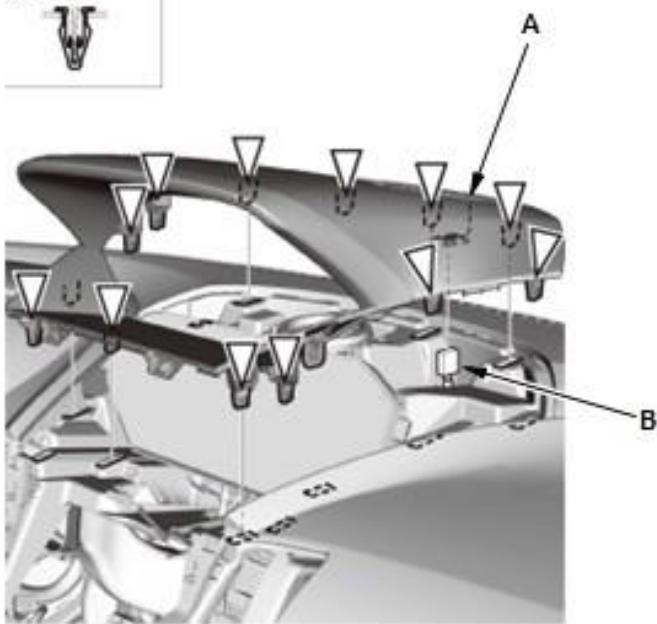
Fastener Locations

▷ : 8



Fastener Locations

▷ : 12

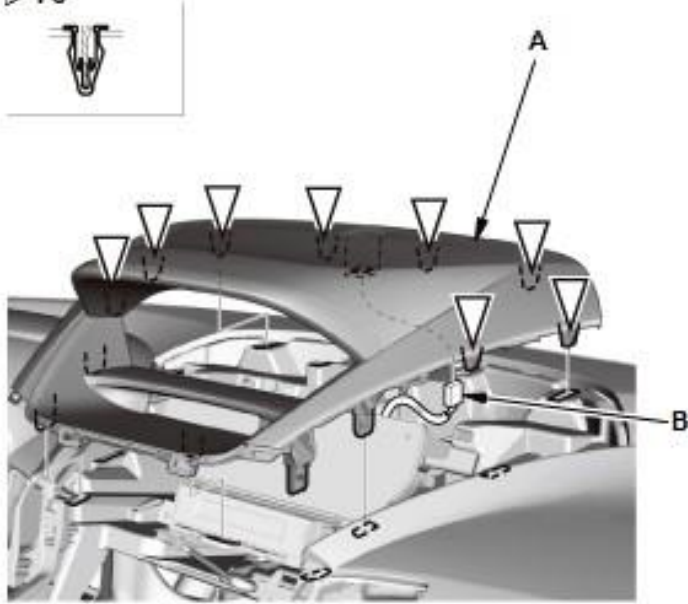


Courtesy of HONDA, U.S.A., INC. HONDA, U.S.A., INC.

With navigation

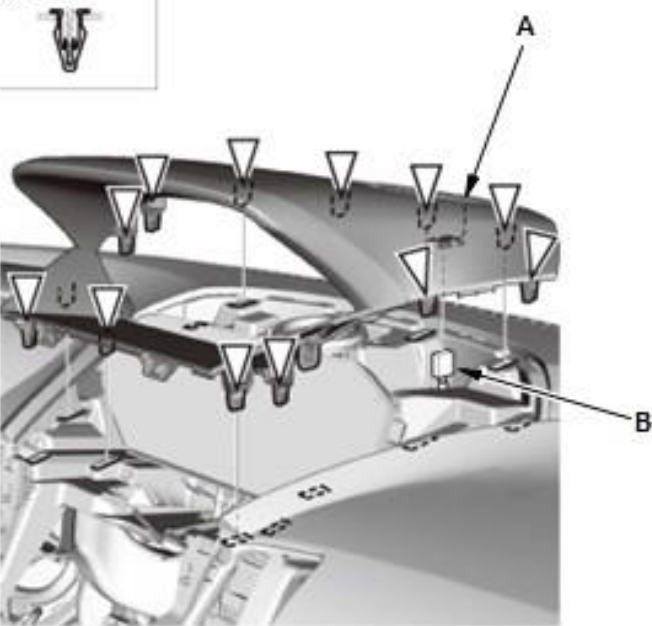
Fastener Locations

▷ : 8



Fastener Locations

▷ : 12



Courtesy of HONDA, U.S.A., INC. HONDA, U.S.A., INC.

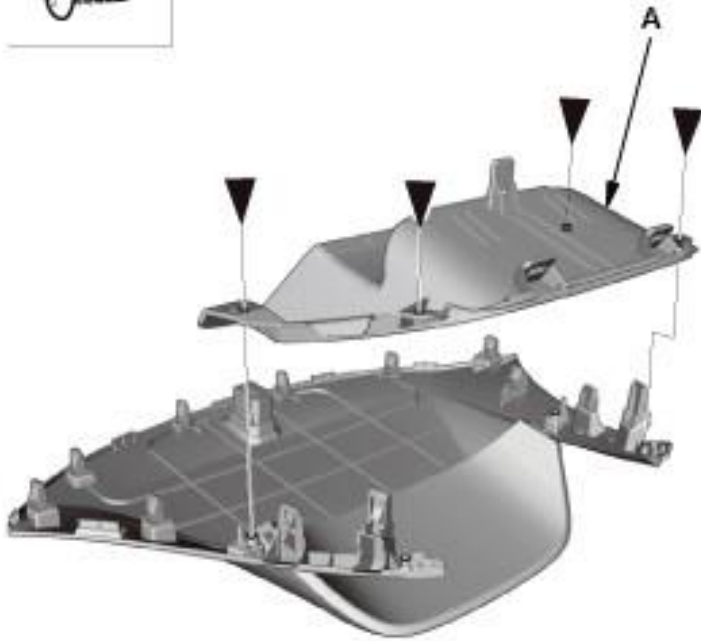
Without navigation

**Lower Inner Center Display
Visor**

3. Remove the lower inner
center display visor (A).

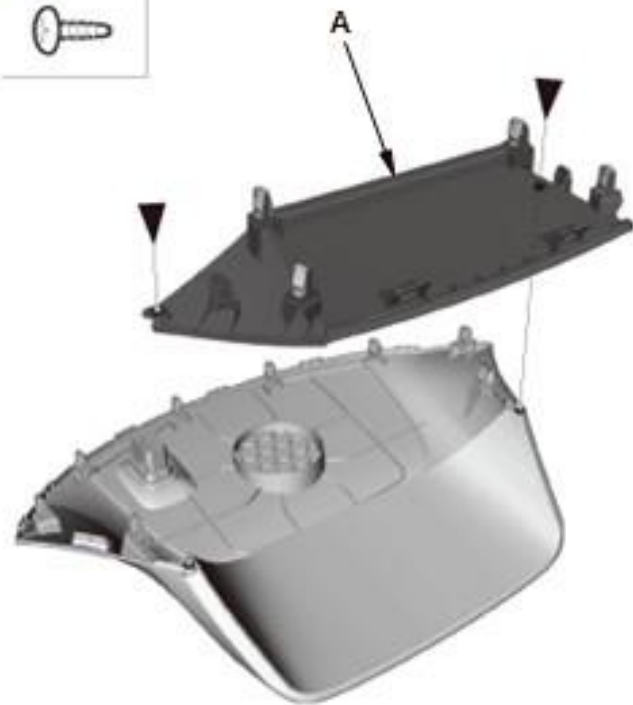
Fastener Locations

▶ : 4



Fastener Locations

▶ : 2



Courtesy of HONDA, U.S.A., INC.HONDA, U.S.A., INC.

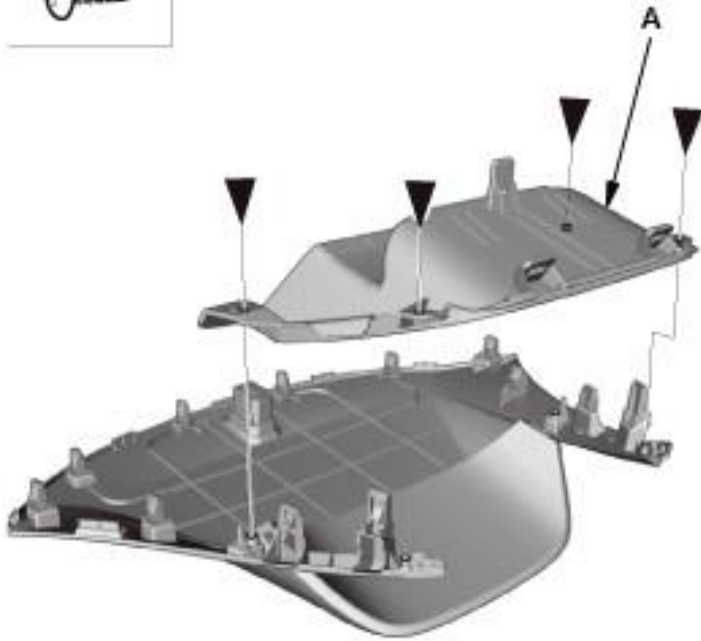
With navigation

Without navigation

**Upper Inner Center Display
Visor**

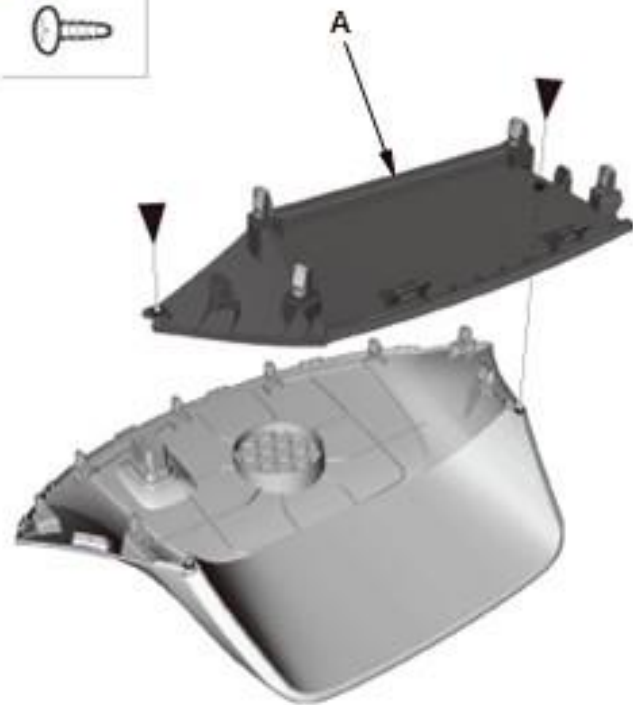
Fastener Locations

▶ : 4



Fastener Locations

▶ : 2





4. Remove the upper inner center display visor (A).



Courtesy of HONDA, U.S.A., INC. HONDA, U.S.A., INC.

With navigation



Courtesy of HONDA, U.S.A., INC. HONDA, U.S.A., INC.

**Installation 1. Center Display
Visor - Install**

Without navigation

**Upper Inner Center Display
Visor**

1. Install the upper inner center display visor (A).



Courtesy of HONDA, U.S.A., INC. HONDA, U.S.A., INC.

With navigation



Courtesy of HONDA, U.S.A., INC. HONDA, U.S.A., INC.

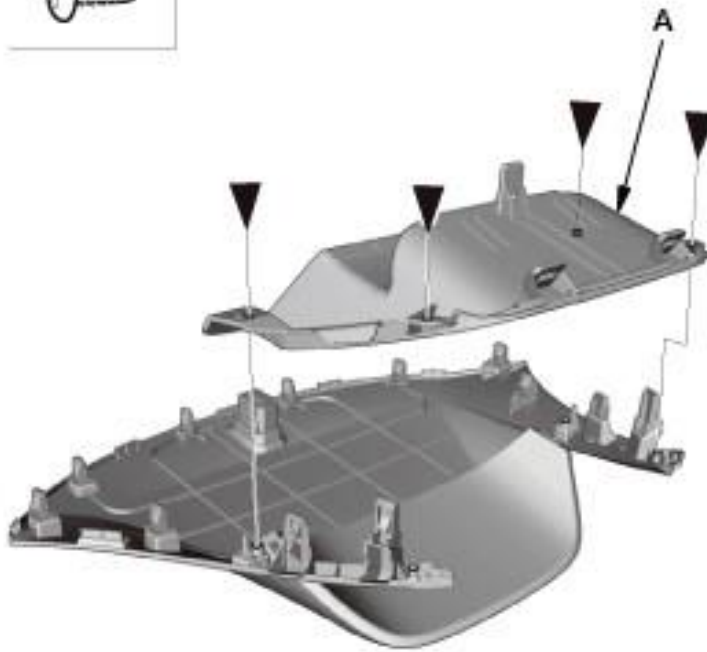
Without navigation

**Lower Inner Center Display
Visor**

2. Install the lower inner
center display visor (A).

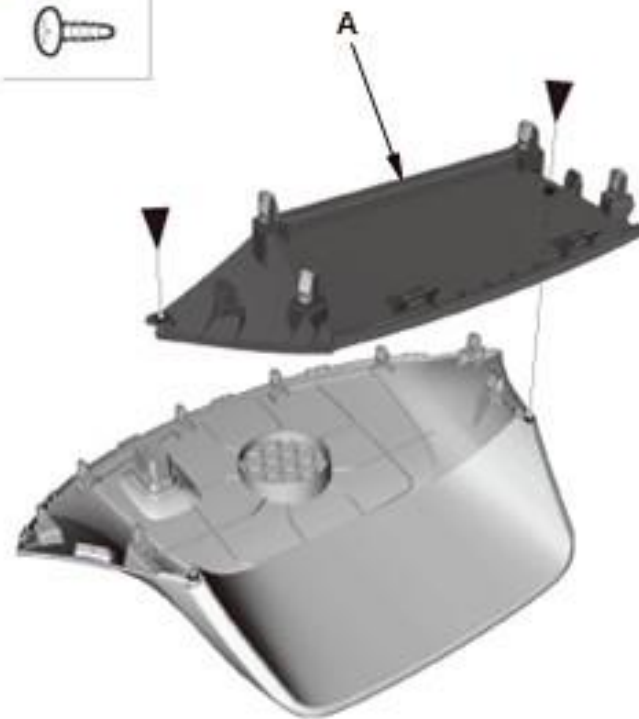
Fastener Locations

▶ : 4



Fastener Locations

▶ : 2



Courtesy of HONDA, U.S.A., INC. HONDA, U.S.A., INC.

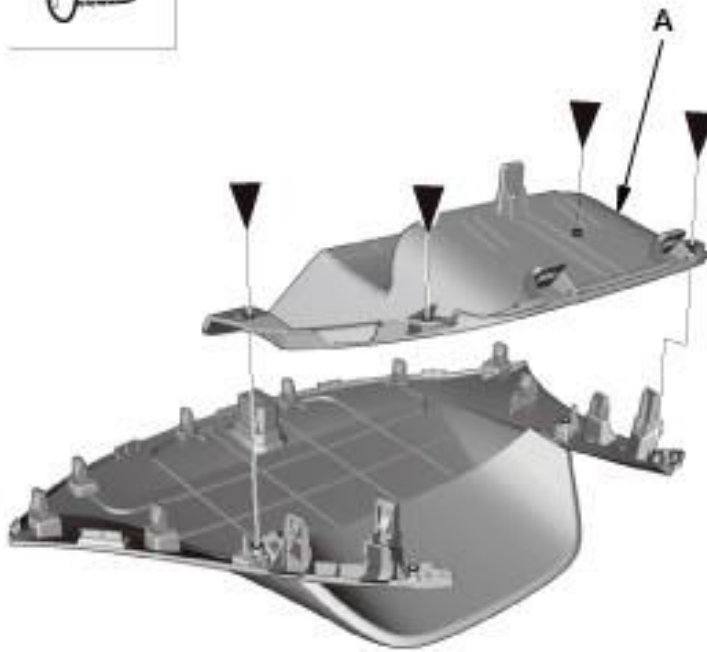
With navigation

Without navigation

Center Display Visor Assembly

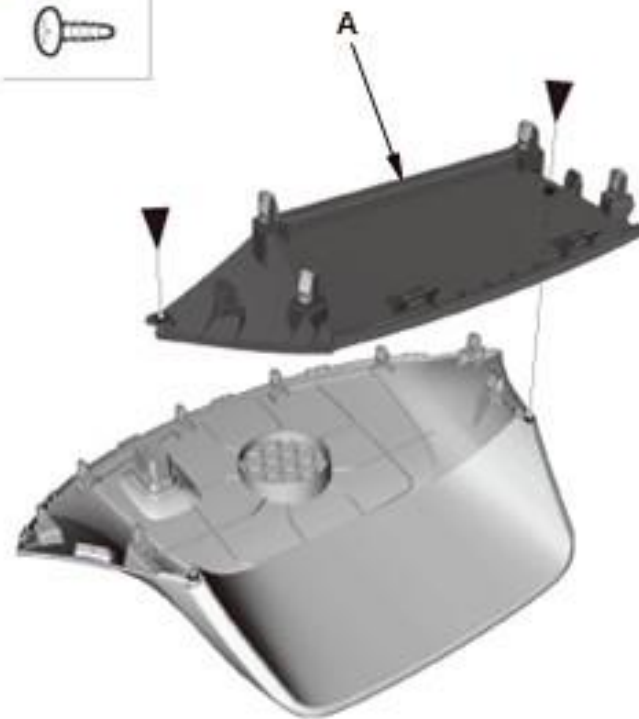
Fastener Locations

▶ : 4



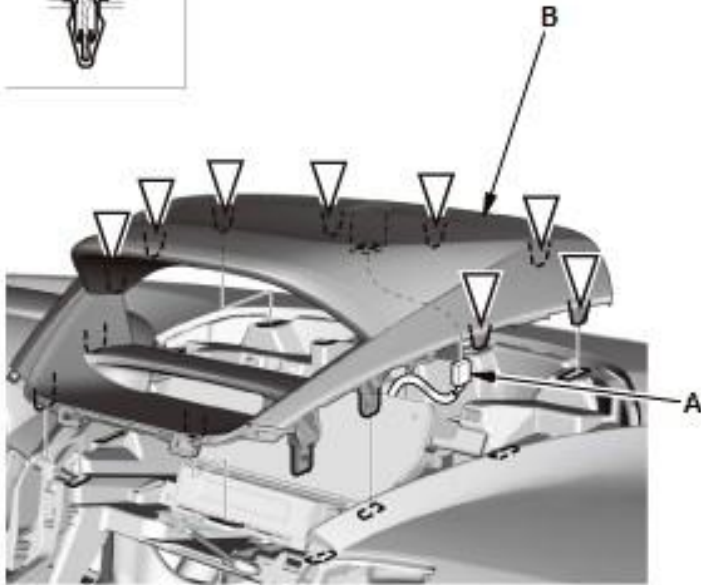
Fastener Locations

▶ : 2



Fastener Locations

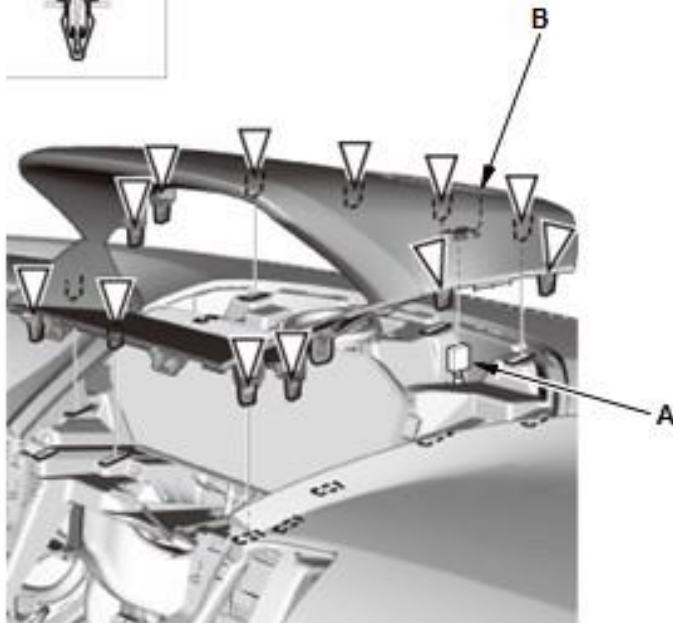
▷ : 8



3. Connect the automatic lighting/sunlight sensor connector (A)
4. Install the center display visor assembly (B).

Fastener Locations

▷ : 12

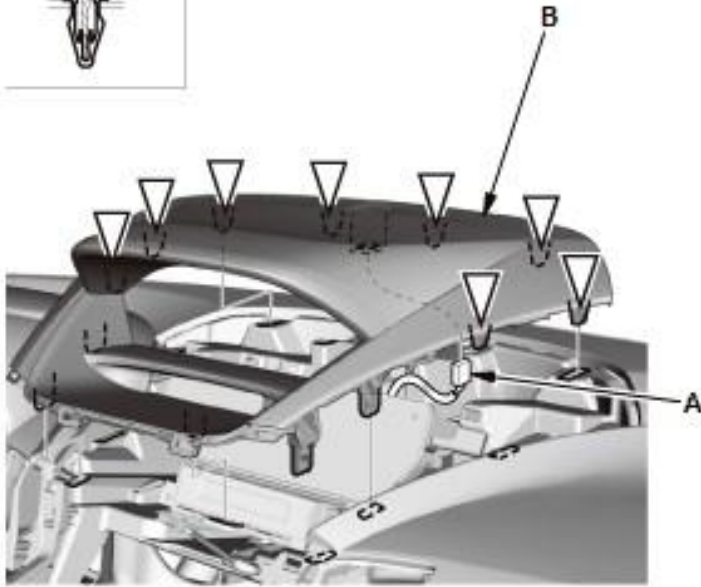


Courtesy of HONDA, U.S.A., INC. HONDA, U.S.A., INC.

With navigation

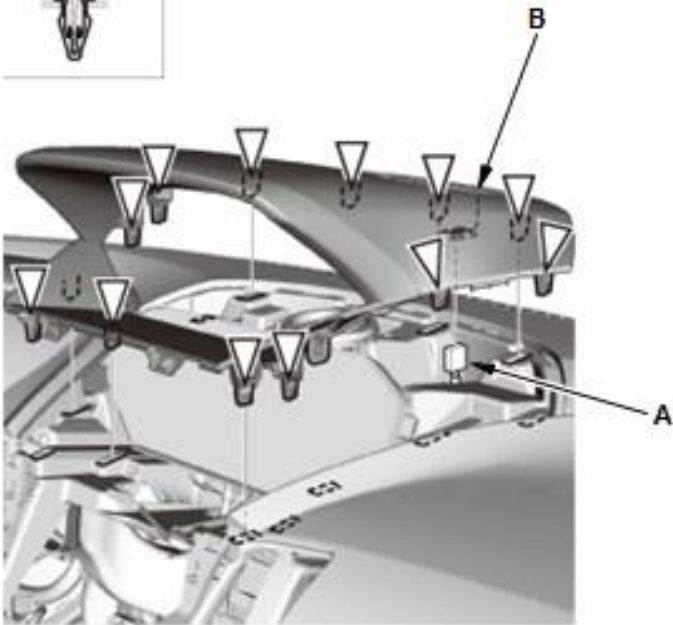
Fastener Locations

▽ : 8



Fastener Locations

▽ : 12



Courtesy of HONDA, U.S.A., INC. HONDA, U.S.A., INC.

1. Install the dashboard center panel:

1. Without navigation

2. With navigation - Refer to: Audio-Navigation Unit Removal and Installation (2013-15), or

Audio-Navigation Unit Removal and Installation (2016-18)

2. Dashboard Center Panel - Install

