

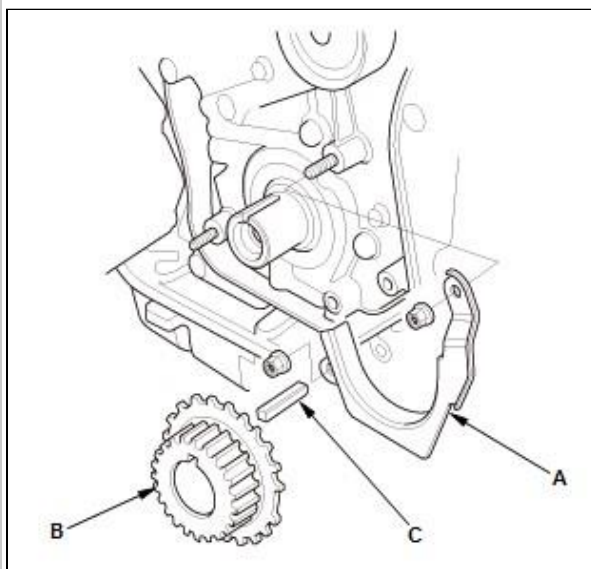
Timing Belt Drive Pulley Removal And Installation (2013-15)

Removal

1. Timing Belt - Remove

1. Remove the timing belt .

2. Timing Belt Drive Pulley - Remove

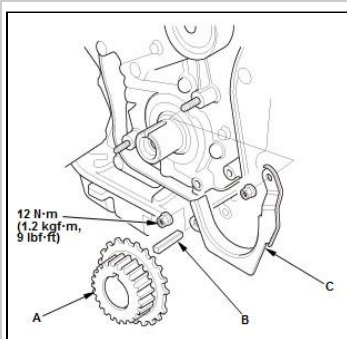


1. Remove the timing belt stopper (A)
2. Remove the timing belt drive pulley (B) and the key (C).

Courtesy of HONDA, U.S.A., INC.

Installation

1. Timing Belt Drive Pulley - Install



1. Inspect the timing belt drive pulley and the key for damage. If it is cracked or damaged, replace the timing belt drive pulley and the key
2. Install the timing belt drive pulley (A) and the key (B)
3. Install the timing belt stopper (C).

Courtesy of HONDA, U.S.A., INC.

2. Timing Belt - Install

1. Install the timing belt .