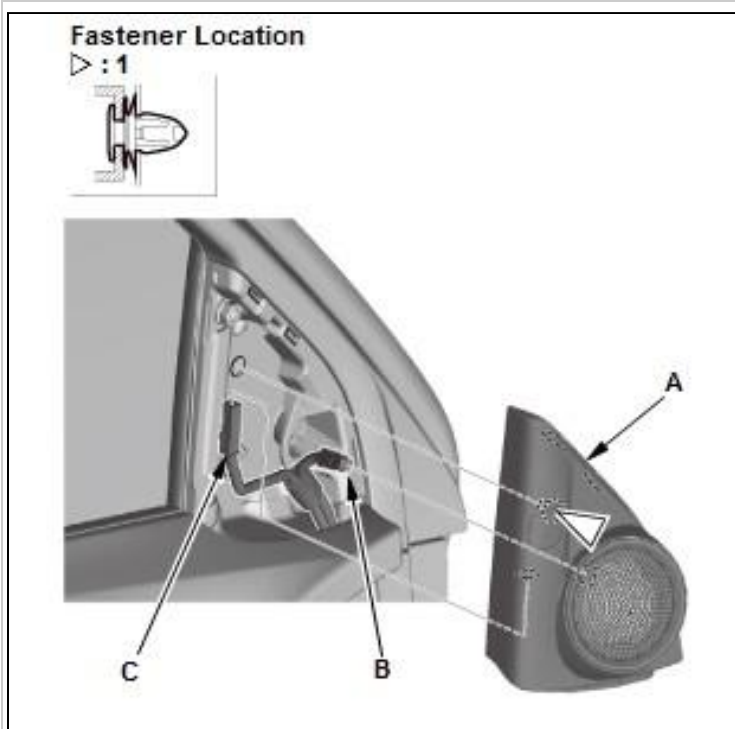


Front Door Panel Removal And Installation (With BSI Alert Indicator) (2016-18)

Removal_Installation

NOTE: If you replace the power window master switch or the front passenger's power window switch, reset the power window control unit .

1. Tweeter Cover - Remove

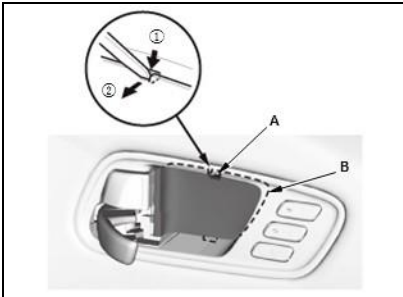


1. Remove the tweeter cover (A)
2. Disconnect the connectors (B, C).

Courtesy of HONDA, U.S.A., INC.

2. Front Door Panel - Remove

1. Push on the upper hook (A) with the appropriate trim tool, then pull back the inner handle cap (B) to remove it.



Courtesy of HONDA, U.S.A., INC.

Fastener Locations

A ▶ : 2



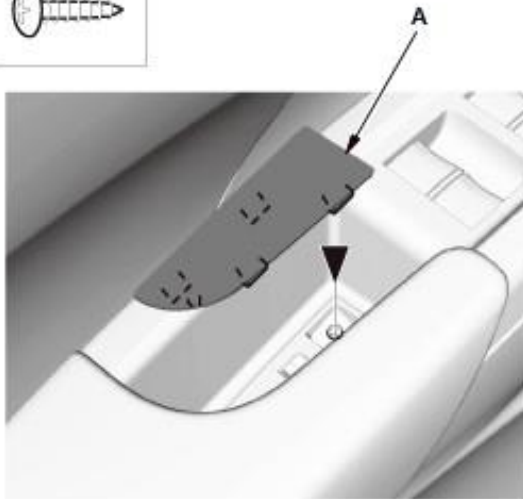
2. Remove the screws (A).

Courtesy of HONDA, U.S.A., INC.

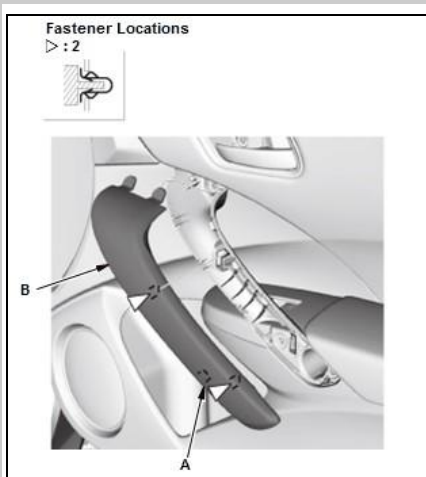
3. Driver's door: Remove the pull pocket lid (A)
4. Driver's door: Remove the screw (B).

Fastener Location

B ▶ : 1



Courtesy of HONDA, U.S.A., INC.



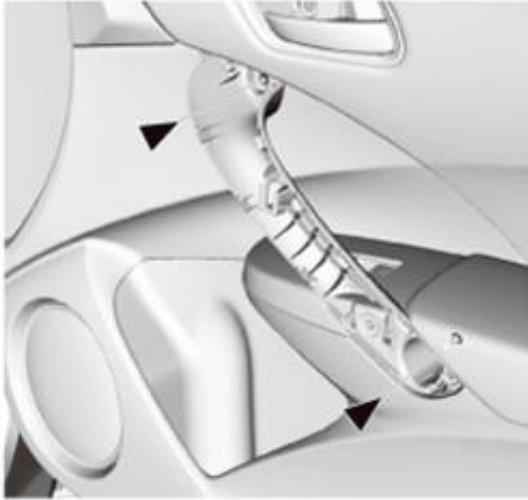
5. Passenger's door: Insert a small flat-tip screwdriver into the notch (A), and remove the grip cover (B).

Courtesy of HONDA, U.S.A., INC.

6. Passenger's door: Remove the screws (A).

Fastener Locations

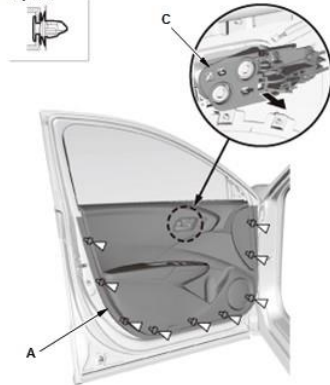
A ▶ : 2



Courtesy of HONDA, U.S.A., INC.

Fastener Locations

B ▷ : 9

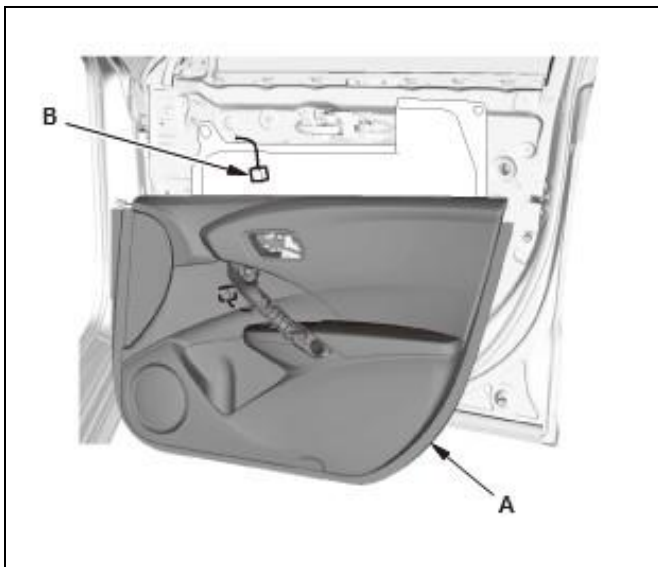
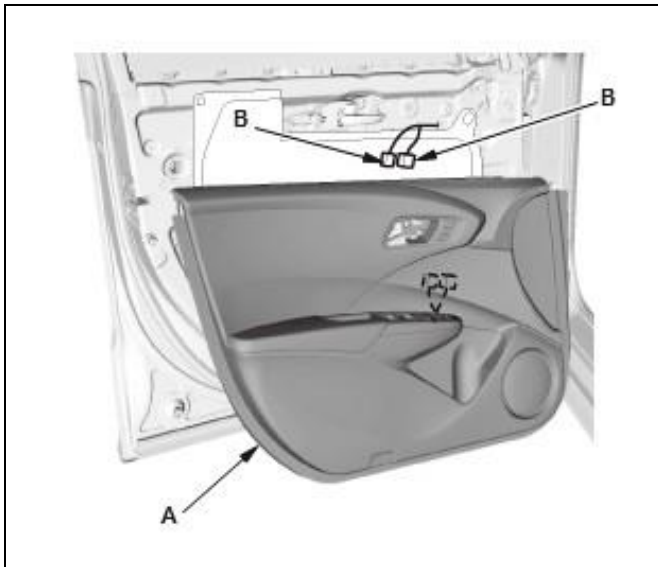


7. Start at the bottom edge of the front door panel (A), remove the clips (B) with a commercially available trim pad remover
8. Starting at the rear, pull the door panel upward
9. Release the inner handle (C) from the inside of the front door panel.

Courtesy of HONDA, U.S.A., INC.

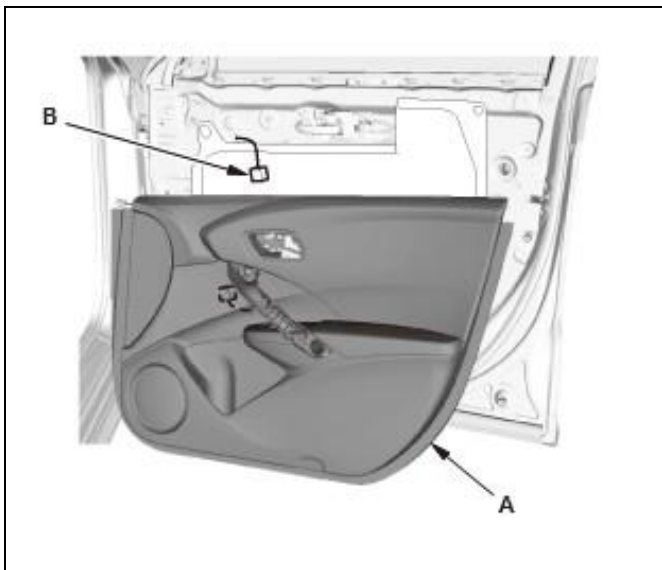
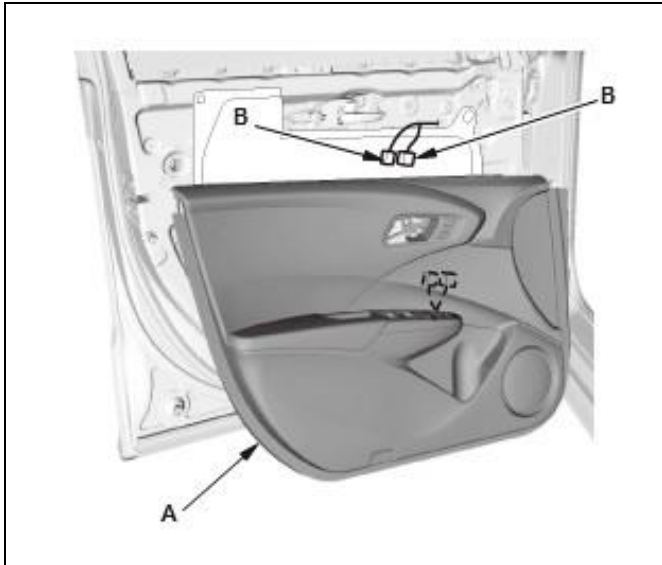
Driver's door

10. While holding the front door panel (A) away from the door, disconnect the connector(s) (B).



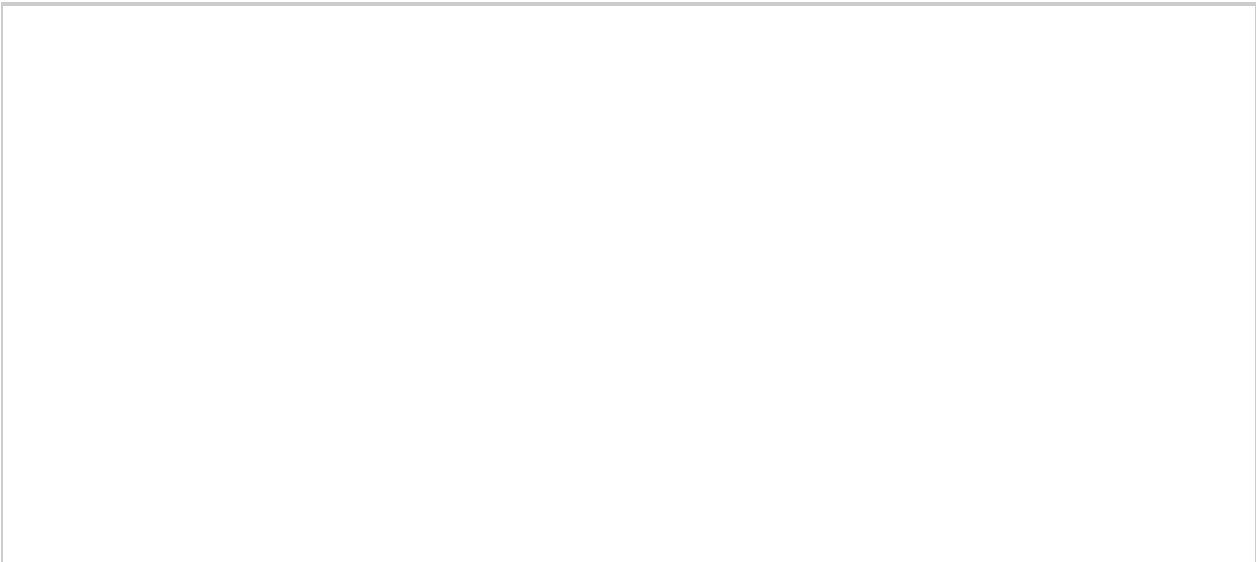
Courtesy of HONDA, U.S.A., INC.HONDA, U.S.A., INC.

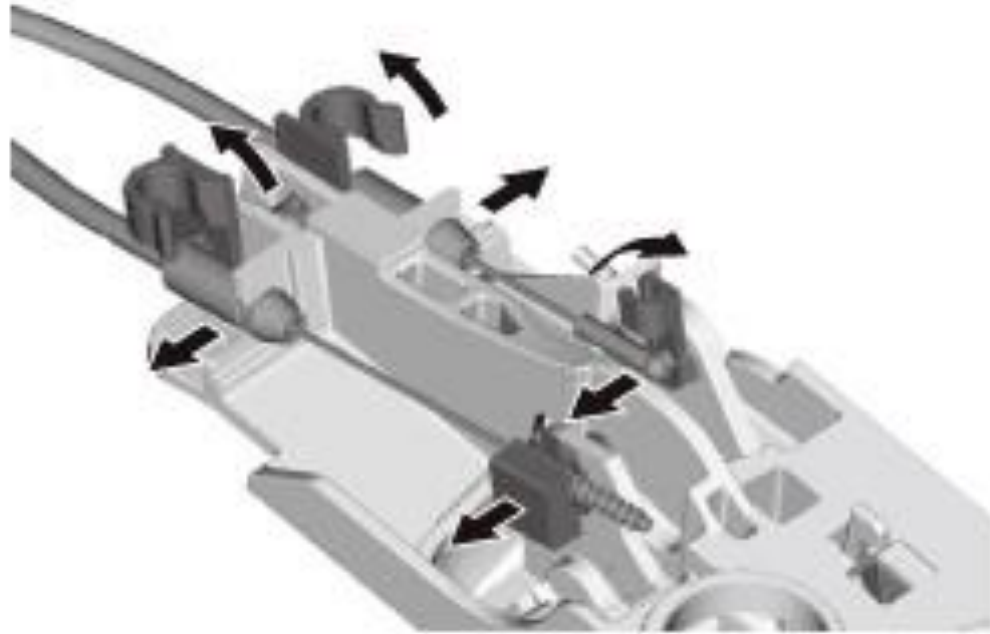
Passenger's door



Courtesy of HONDA, U.S.A., INC. HONDA, U.S.A., INC.

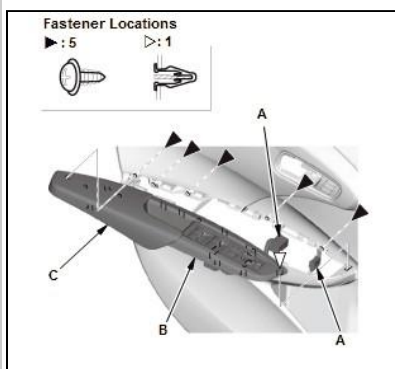
3. Front Door Inner handle - Remove





Courtesy of HONDA, U.S.A., INC.

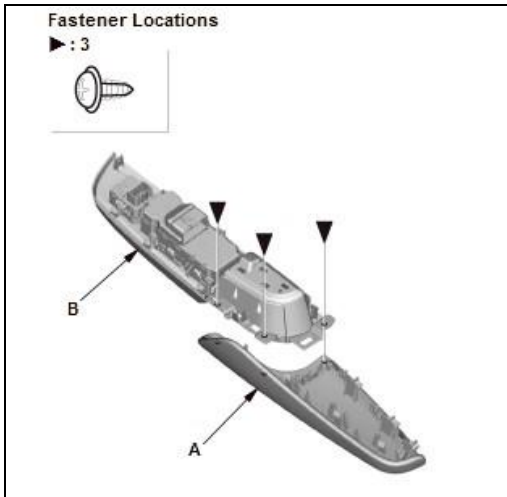
4. Front Door Armrest/Power Window Switch Panel - Remove (Driver's Side)



1. Disconnect the connectors (A)
2. Remove the power window switch panel (B) and the front door armrest (C) as an assembly from the door panel.

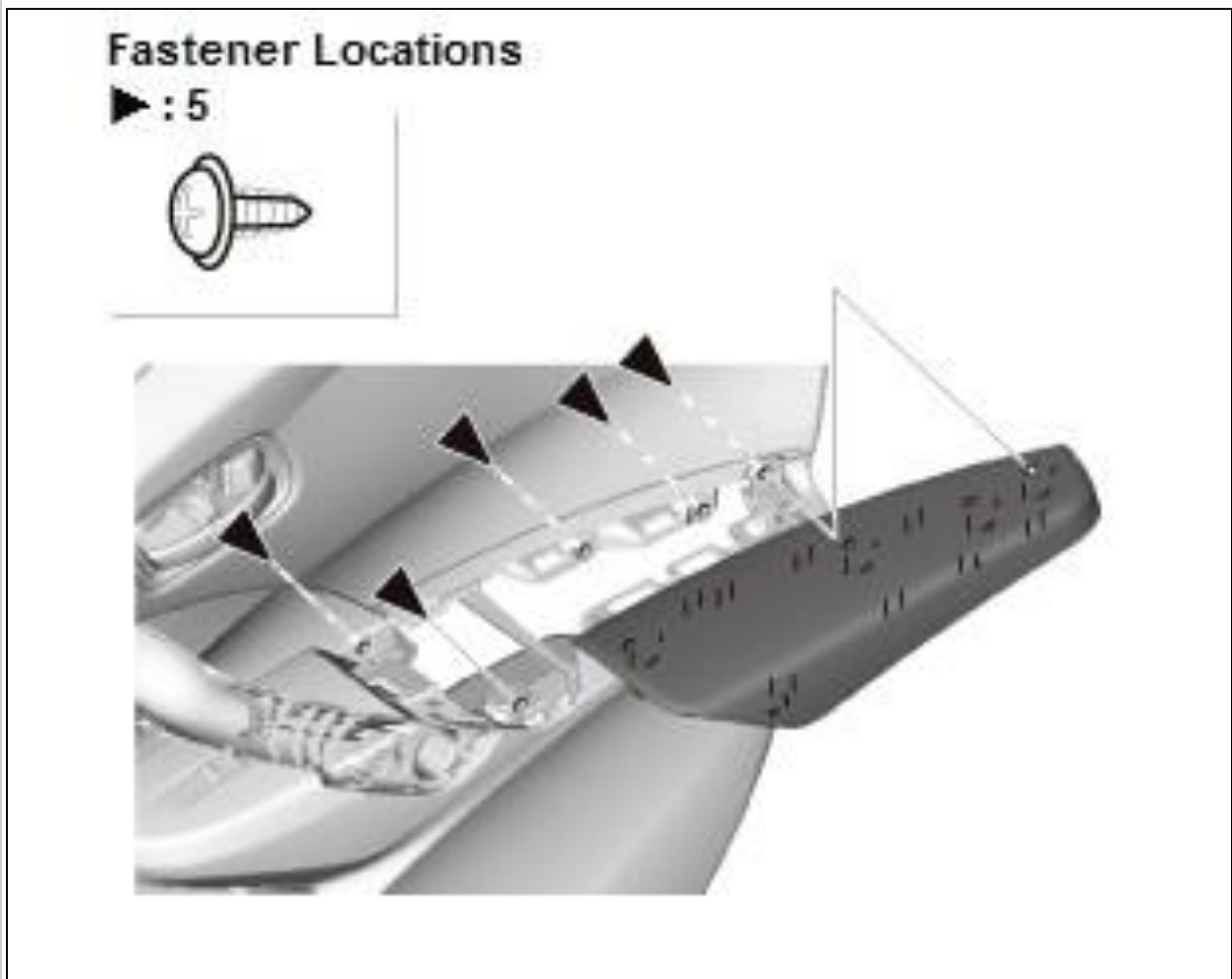
Courtesy of HONDA, U.S.A., INC.

3. Remove the front door armrest (A) from the power window switch panel (B).



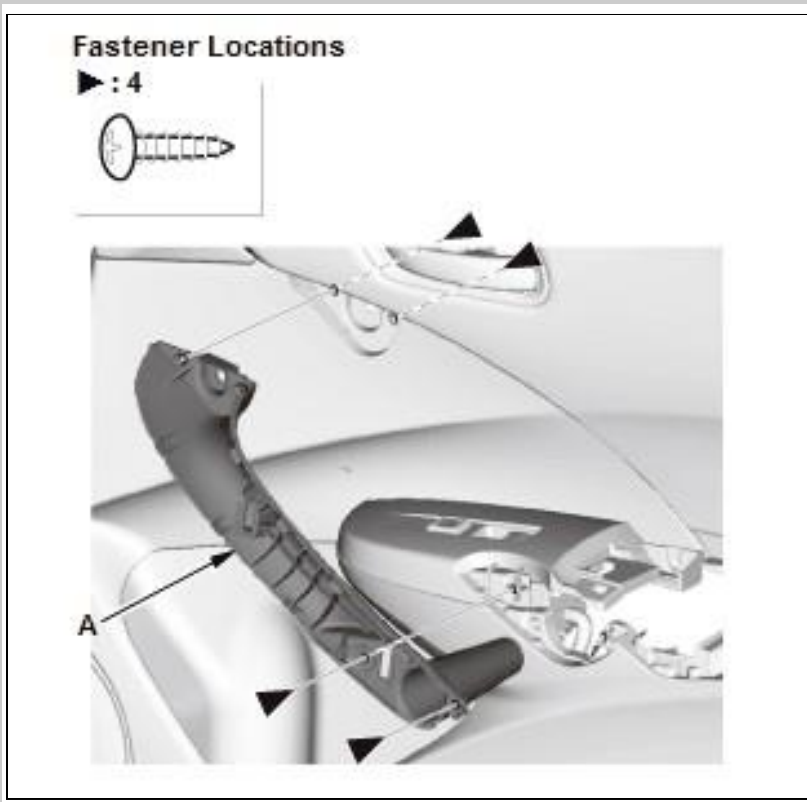
Courtesy of HONDA, U.S.A., INC.

5. Front Door Armrest - Remove (Passenger's Side)



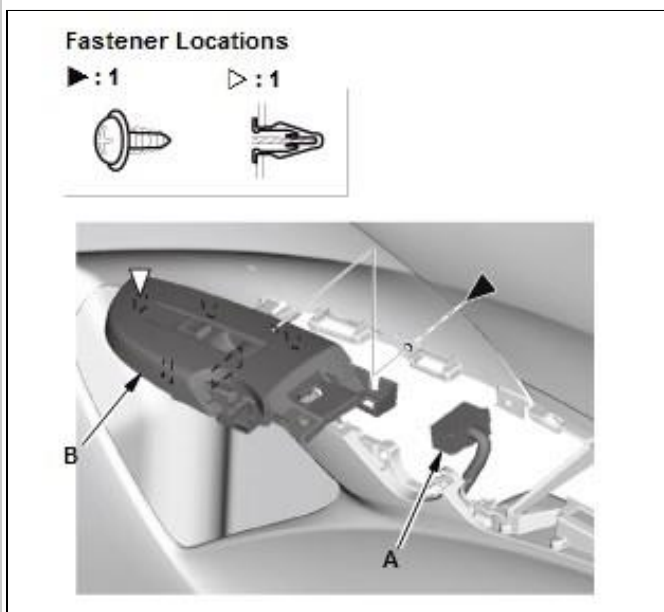
Courtesy of HONDA, U.S.A., INC.

6. Power Window Switch Panel - Remove (Passenger's Side)



1. Remove the grip base (A).

Courtesy of HONDA, U.S.A., INC.



- 2. Disconnect the connector (A)
- 3. Remove the power window switch panel (B).

Courtesy of HONDA, U.S.A., INC.

7. Front Door Inner Weatherstrip - Remove



Courtesy of HONDA, U.S.A., INC.

8. All Removed Parts - Install

1. Install the parts in the reverse order of removal.