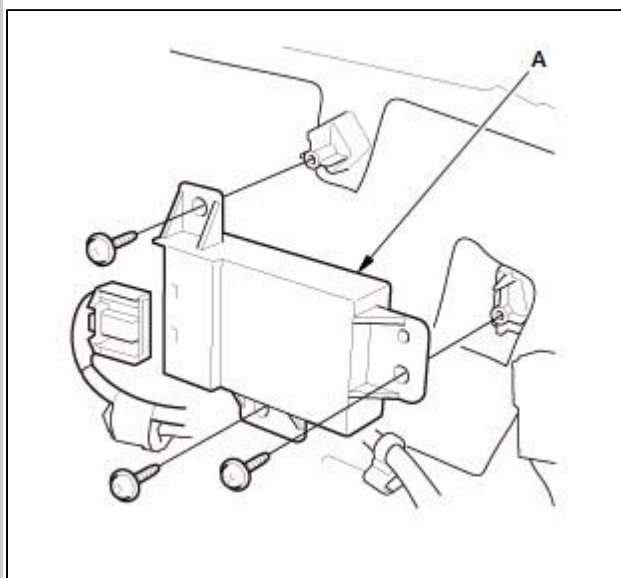


REMOVAL & INSTALLATION > POWER MIRROR CONTROL UNIT REMOVAL AND INSTALLATION (2013-18) > REMOVAL

1. Front Door Panel - Remove

1. Remove the driver's door panel - Refer to: Front Door Panel Removal and Installation (2013-18), or Front Door Panel Removal and Installation (With BSI Alert Indicator) (2016-18) .

2. Power Mirror Control Unit - Remove



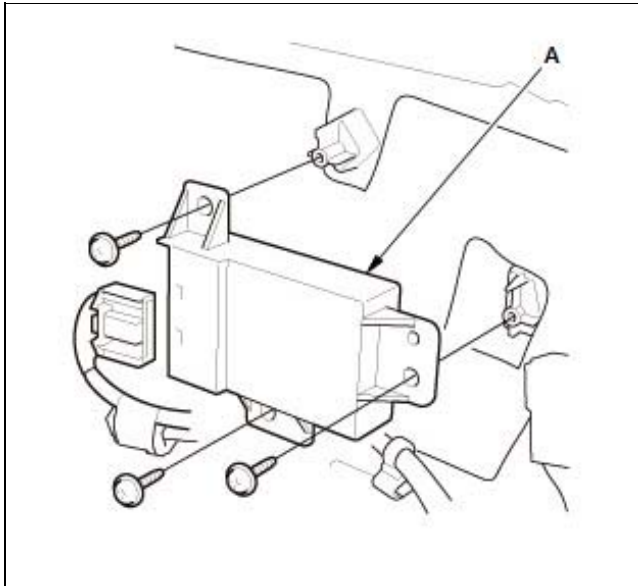
1. Disconnect the power mirror control unit connector
2. Remove the power mirror control unit (A).

Courtesy of HONDA, U.S.A., INC.

REMOVAL & INSTALLATION > POWER MIRROR CONTROL UNIT REMOVAL AND INSTALLATION (2013-18) > INSTALLATION

1. Power Mirror Control Unit - Install

1. Install the power mirror control unit (A)
2. Connect the power mirror control unit connector.



Courtesy of HONDA, U.S.A., INC.

2. Front Door Panel - Install

1. Install the driver's door panel - Refer to: Front Door Panel Removal and Installation (2013-18), or Front Door Panel Removal and Installation (With BSI Alert Indicator) (2016-18) .