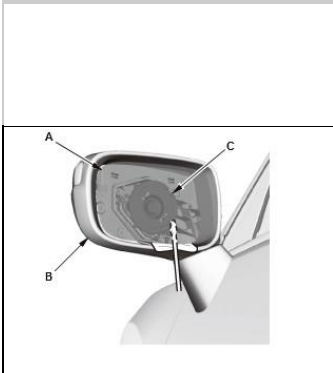


# REMOVAL & INSTALLATION > MIRROR HOLDER REMOVAL AND INSTALLATION (2013-18) > REMOVAL

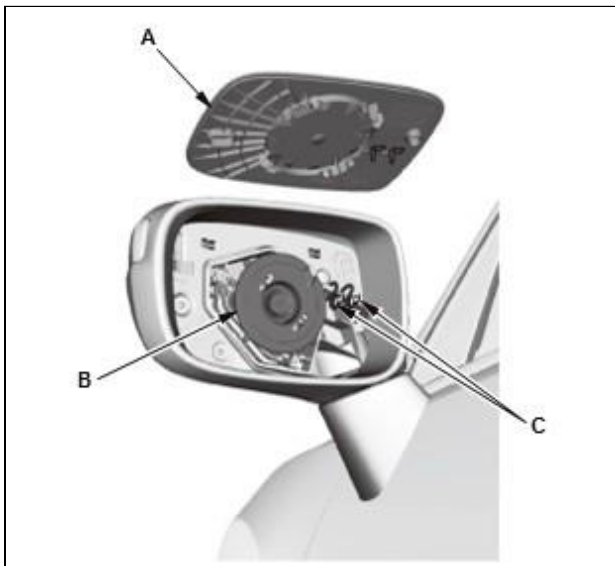
## 1. Mirror Holder - Remove



Courtesy of HONDA, U.S.A., INC.

1. Carefully push on the top edge of the mirror holder (A) by hand
2. Put a shop towel in the opening between the bottom edge of the mirrorholder and the mirror housing (B) to prevent scratches
3. Insert a flat-tip screwdriver under the mirror holder, and quickly twist the screwdriver to separate the mirror holder from the actuator (C)
4. Insert a flat-tip screwdriver further into the mirror holder and twist it again.

**NOTE:** Do not pry up on the mirror holder to separate the two parts, as this can cause either the mirror glass or actuator to break.

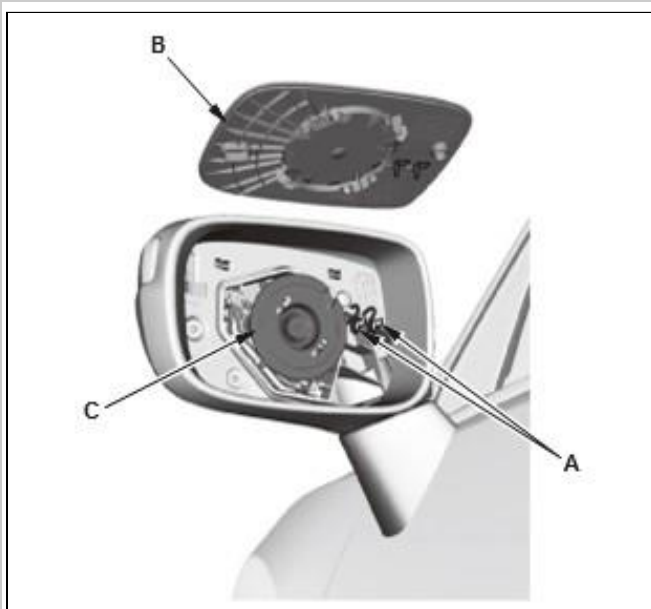


Courtesy of HONDA, U.S.A., INC.

5. Separate the mirror holder (A) from the actuator (B)
6. Disconnect the mirror defogger connectors (C).

## REMOVAL & INSTALLATION > MIRROR HOLDER REMOVAL AND INSTALLATION (2013-18) > INSTALLATION

### 1. Mirror Holder - Install

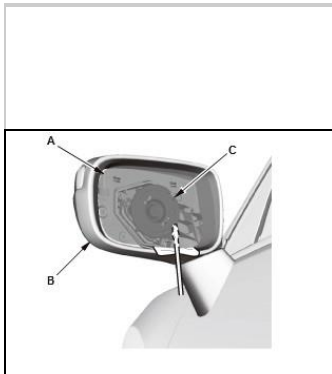


Courtesy of HONDA, U.S.A., INC.

1. Connect the mirror defogger connectors (A)
2. Install the mirror holder (B) to the actuator (C)
3. Check the actuator operation.

## REMOVAL & INSTALLATION > MIRROR HOLDER REMOVAL AND INSTALLATION(WITH AUTOMATIC DIMMING MIRROR) (2016-18) > REMOVAL

### 1. Mirror Holder - Remove

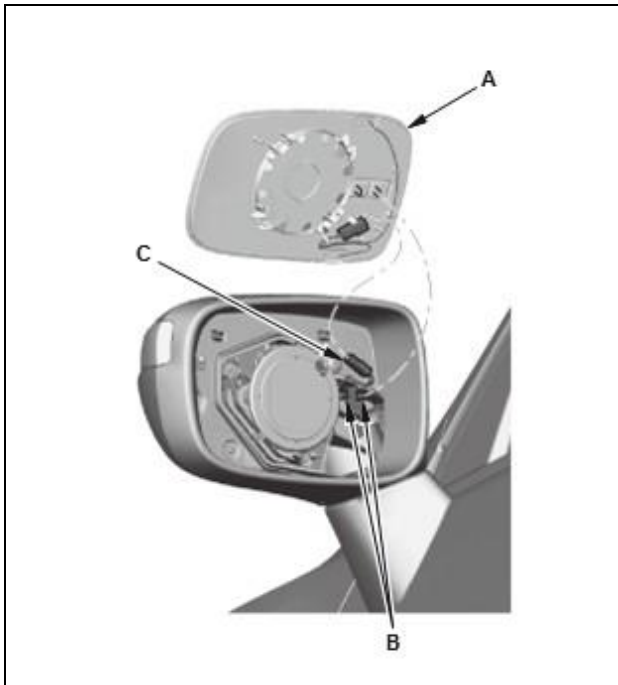


Courtesy of HONDA, U.S.A., INC.

1. Carefully push on the top edge of the mirror holder (A) by hand
2. Put a shop towel in the opening between the bottom edge of the mirrorholder and the mirror housing (B) to prevent scratches
3. Insert a flat-tip screwdriver under the mirror holder, and quickly twistthe screwdriver to separate the mirror holder from the actuator (C)
4. Insert a flat-tip screwdriver further into the mirror holder and twist it again.

**NOTE:** Do not pry up on the mirror holder to separate the two parts, as this can cause either the mirror glass or actuator to break.

Separate the mirror holder (A)

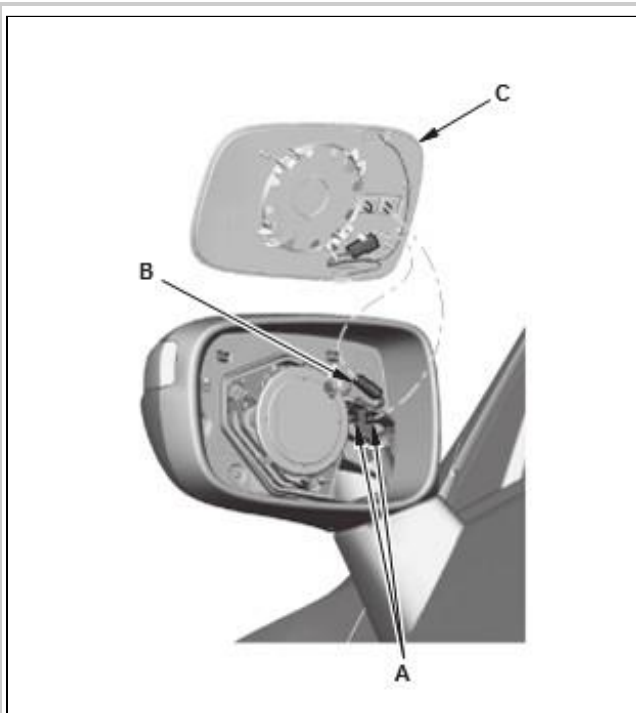


Courtesy of HONDA, U.S.A., INC.

6. Disconnect the terminals (B) and the connector (C).

## REMOVAL & INSTALLATION > MIRROR HOLDER REMOVAL AND INSTALLATION(WITH AUTOMATIC DIMMING MIRROR) (2016-18) > INSTALLATION

1. Mirror Holder - Install



Courtesy of HONDA, U.S.A., INC.

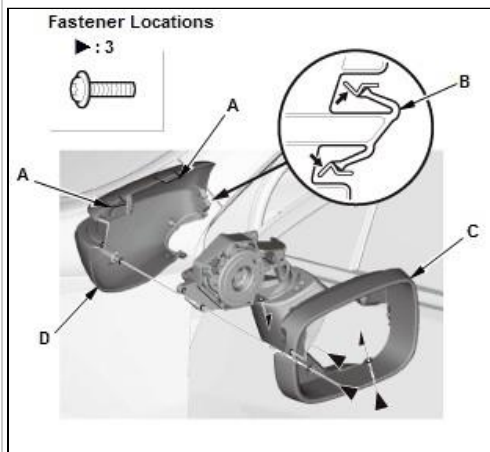
1. Connect the terminals (A) and the connector (B)
2. Install the mirror holder (C)
3. Check the actuator operation.

## REMOVAL & INSTALLATION > MIRROR HOUSING COVER REMOVAL AND INSTALLATION (2013-18) > REMOVAL

### 1. Side Turn Signal Light - Remove

1. Remove the side turn signal light .

### 2. Mirror Housing - Remove

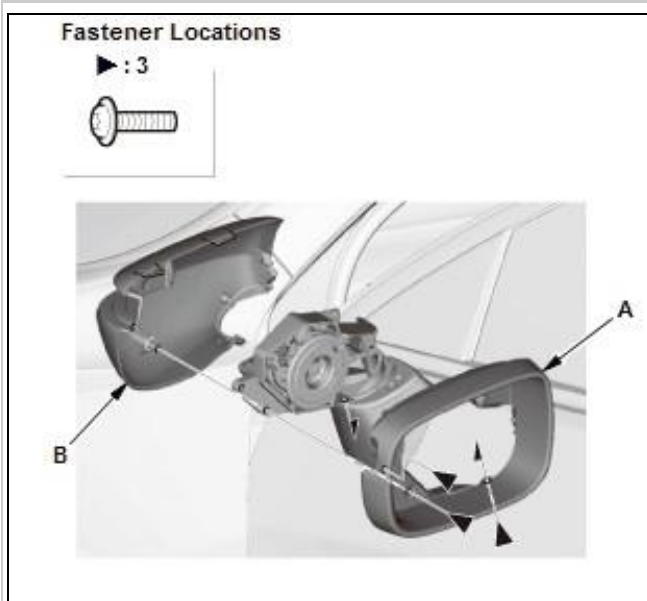


1. Release the hooks (A, B), then remove the visor (C) and the mirror housing (D).

Courtesy of HONDA, U.S.A., INC.

## REMOVAL & INSTALLATION > MIRROR HOUSING COVER REMOVAL AND INSTALLATION (2013-18) > INSTALLATION

### 1. Mirror Housing - Install



1. Install the visor (A) and the mirror housing (B).

Courtesy of HONDA, U.S.A., INC.

2. Side Turn Signal Light - Install

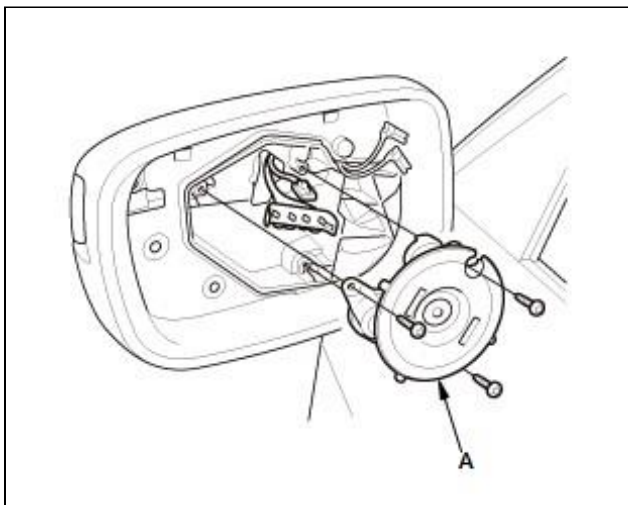
1. Install the side turn signal light .

**REMOVAL & INSTALLATION > POWER MIRROR ACTUATOR REMOVAL AND INSTALLATION (2013-18) > REMOVAL**

1. Mirror Holder - Remove

1. Remove the mirror holder - Refer to: Mirror Holder Removal and Installation (2013-18), or Mirror Holder Removal and Installation(With Automatic Dimming Mirror) (2016-18) .

2. Power Mirror Actuator - Remove



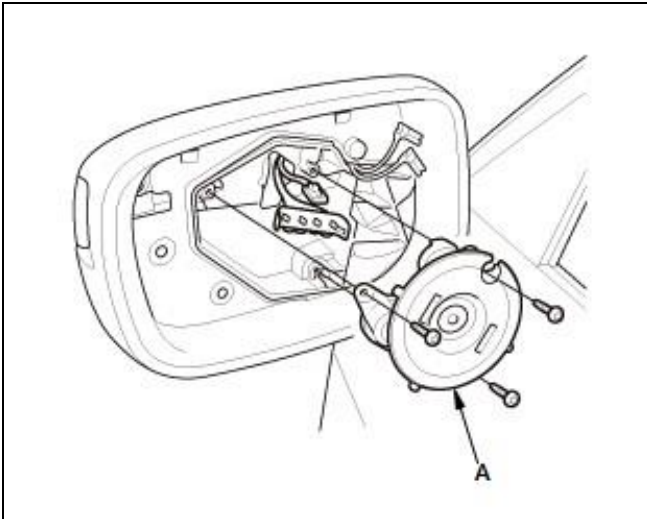
1. Remove the power mirror actuator (A)
2. Disconnect the power mirror actuator connectors.

Courtesy of HONDA, U.S.A., INC.

**REMOVAL & INSTALLATION > POWER MIRROR ACTUATOR REMOVAL AND INSTALLATION (2013-18) > INSTALLATION**

1. Power Mirror Actuator - Install

1. Connect the power mirror actuator connectors
2. Install the power mirror actuator (A).



Courtesy of HONDA, U.S.A., INC.

## 2. Mirror Holder - Install

1. Install the mirror holder - Refer to: Mirror Holder Removal and Installation (2013-18), or Mirror Holder Removal and Installation(With Automatic Dimming Mirror) (2016-18) .

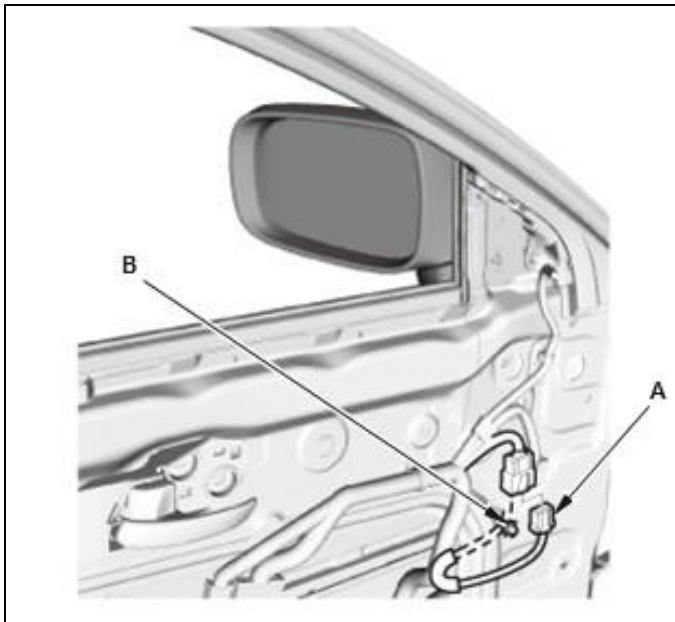
## **REMOVAL & INSTALLATION > POWER MIRROR REMOVAL AND INSTALLATION (2013-18) > REMOVAL**

### 1. Front Door Panel - Remove

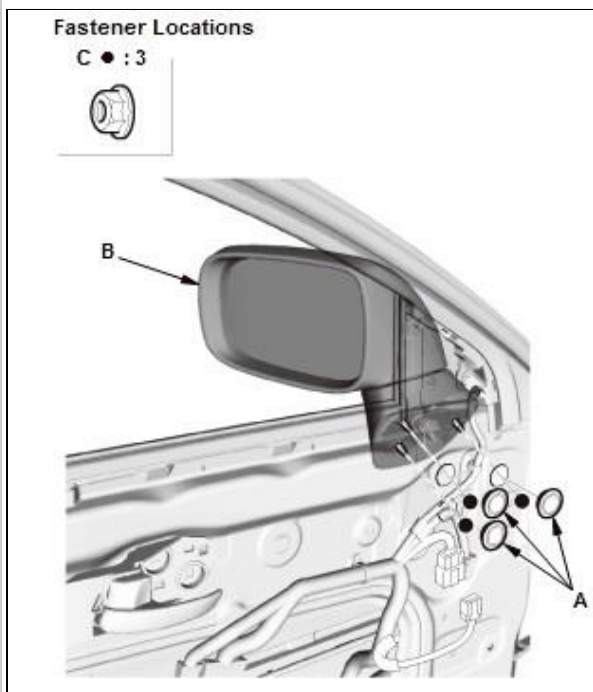
1. Remove the front door panel - Refer to: Front Door Panel Removal and Installation (2013-18), or Front Door Panel Removal and Installation(With BSI Alert Indicator) (2016-18) .

### 2. Power Mirror - Remove

1. Disconnect the power mirror connector (A)  
2. Remove the harness clip (B).



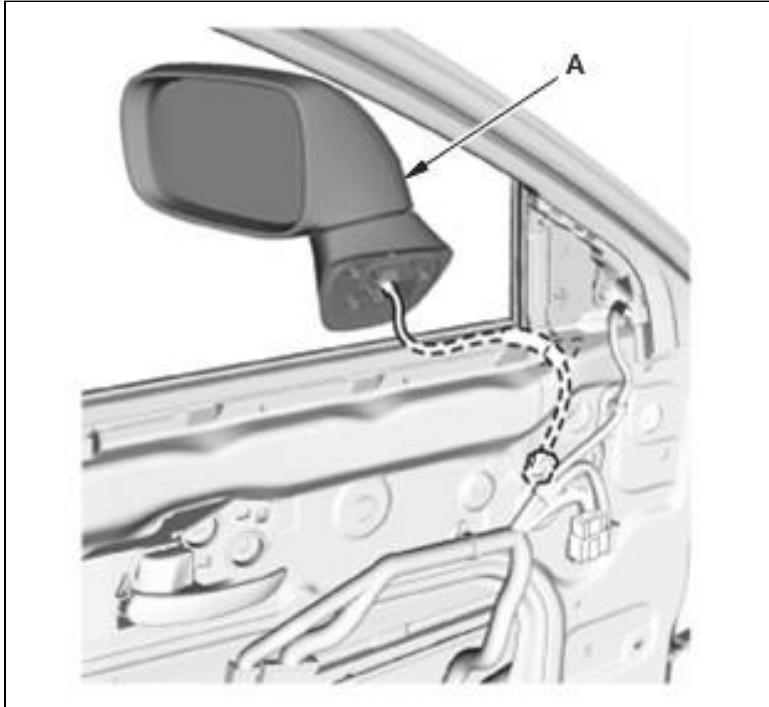
Courtesy of HONDA, U.S.A., INC.



Courtesy of HONDA, U.S.A., INC.

3. Remove the plug caps (A)
4. While holding the power mirror (B), remove the nuts (C).

5. Remove the power mirror (A).

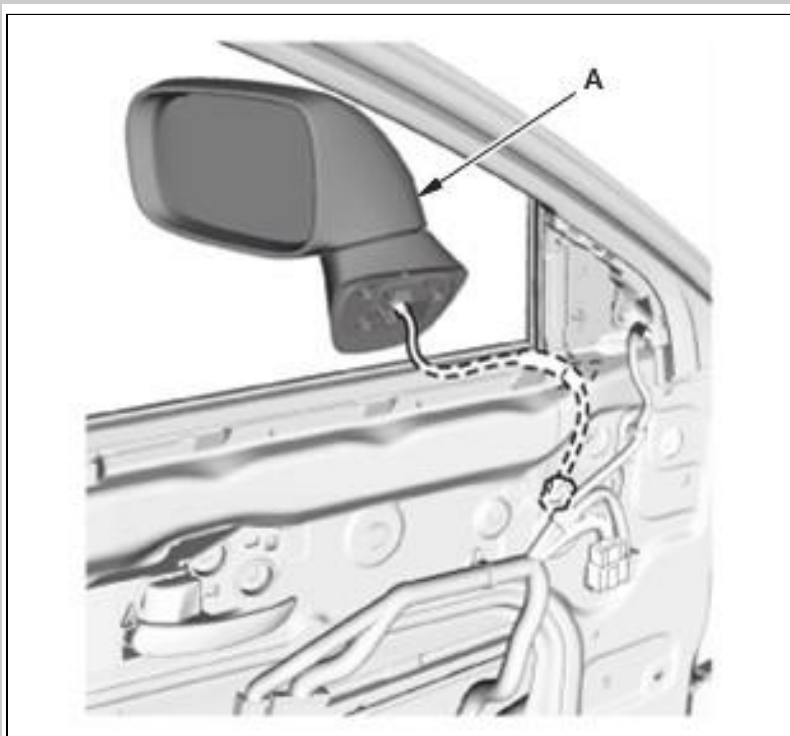


Courtesy of HONDA, U.S.A., INC.



# REMOVAL & INSTALLATION > POWER MIRROR REMOVAL AND INSTALLATION (2013-18) > INSTALLATION

## 1. Power Mirror - Install

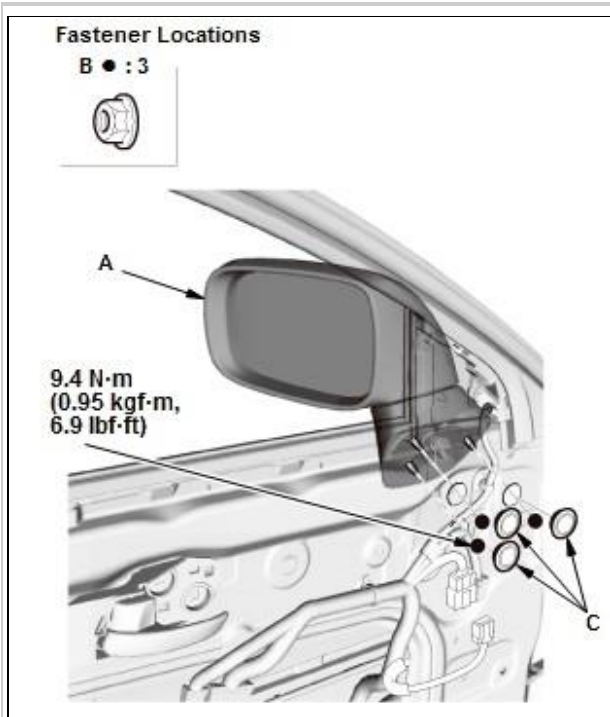


1. Install the power mirror (A).

Courtesy of HONDA, U.S.A., INC.

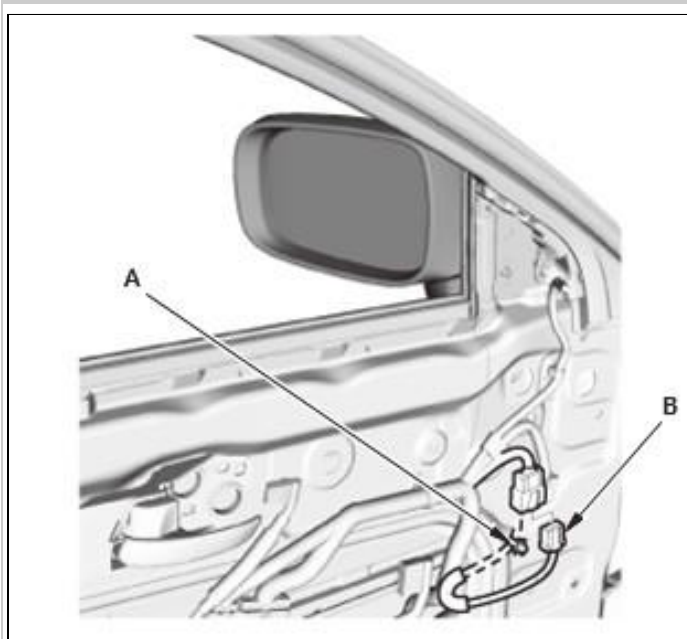
--	--

1. Install the front door panel - Refer to: Front Door Panel Removal and Installation (2013-18), or Front Door Panel Removal and Installation(With BSI Alert Indicator) (2016-18) .



Courtesy of HONDA, U.S.A., INC.

2. While holding the power mirror (A), install the nuts (B)
3. Install the plug caps (C).



Courtesy of HONDA, U.S.A., INC.

4. Install the harness clip (A)
5. Connect the power mirror connector (B).

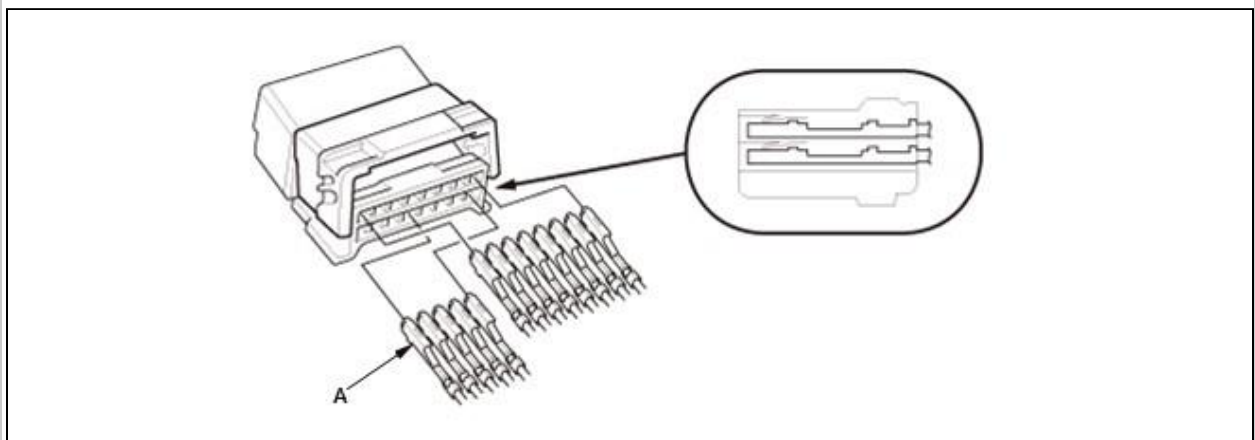
2. Front Door Panel - Install

**REMOVAL & INSTALLATION > POWER MIRROR RETRACT ACTUATOR REMOVAL AND INSTALLATION (2016-18) > REMOVAL**

1. Power Mirror - Remove
2. Power Mirror Actuator - Remove

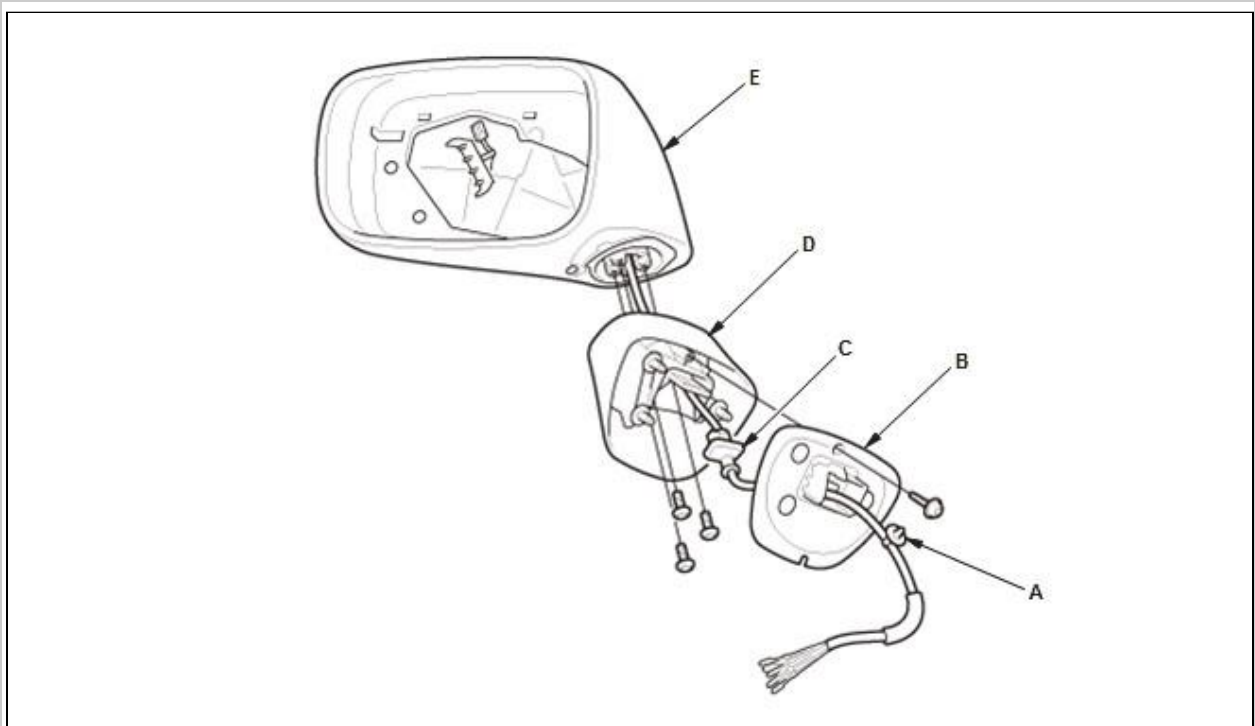
3. Side Turn Signal Light - Remove

4. Power Mirror Retract Actuator - Remove



Courtesy of HONDA, U.S.A., INC.

2. Remove the clip (A) and the gasket (B).

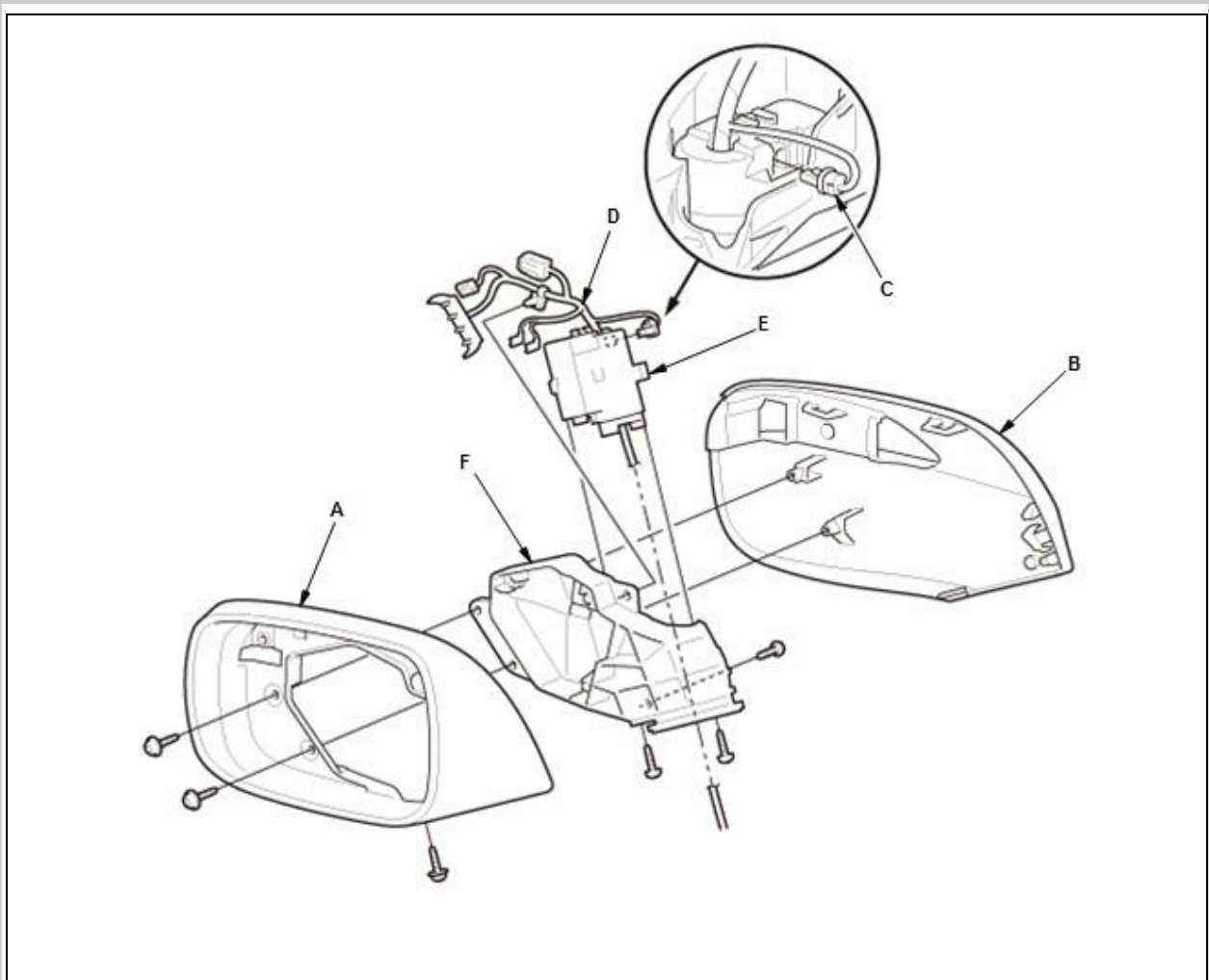


Courtesy of HONDA, U.S.A., INC.

3. Remove the grommet (C) from the gasket, then remove it

4. Remove the bracket (D) from the power mirror housing (E)

5. Remove the screws (A), and separate the visor (B) from the power mirror housing (C).

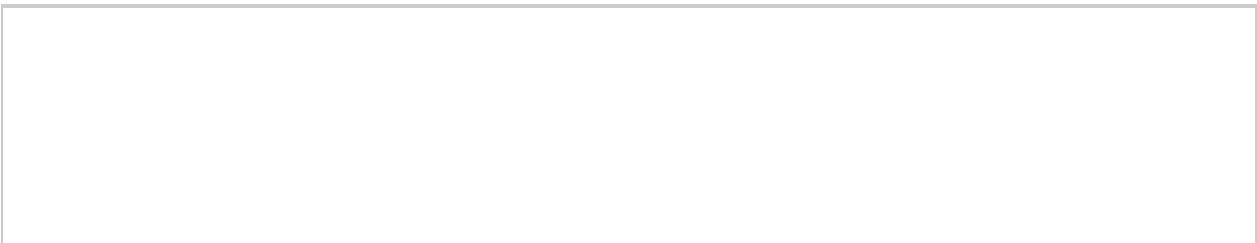


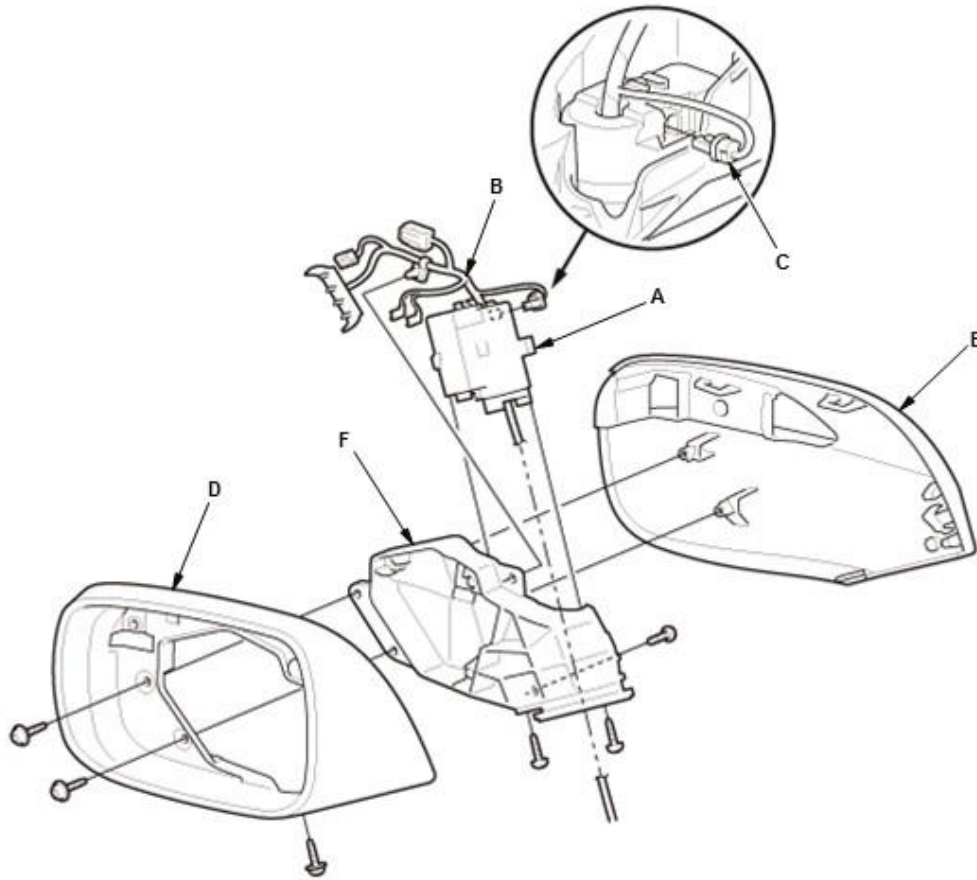
Courtesy of HONDA, U.S.A., INC.

6. Disconnect the retract actuator 2P connector (C), then remove the harness (D)
7. Remove the retract actuator (E) from the actuator housing (F).

## REMOVAL & INSTALLATION > POWER MIRROR RETRACT ACTUATOR REMOVAL AND INSTALLATION (2016-18) > INSTALLATION

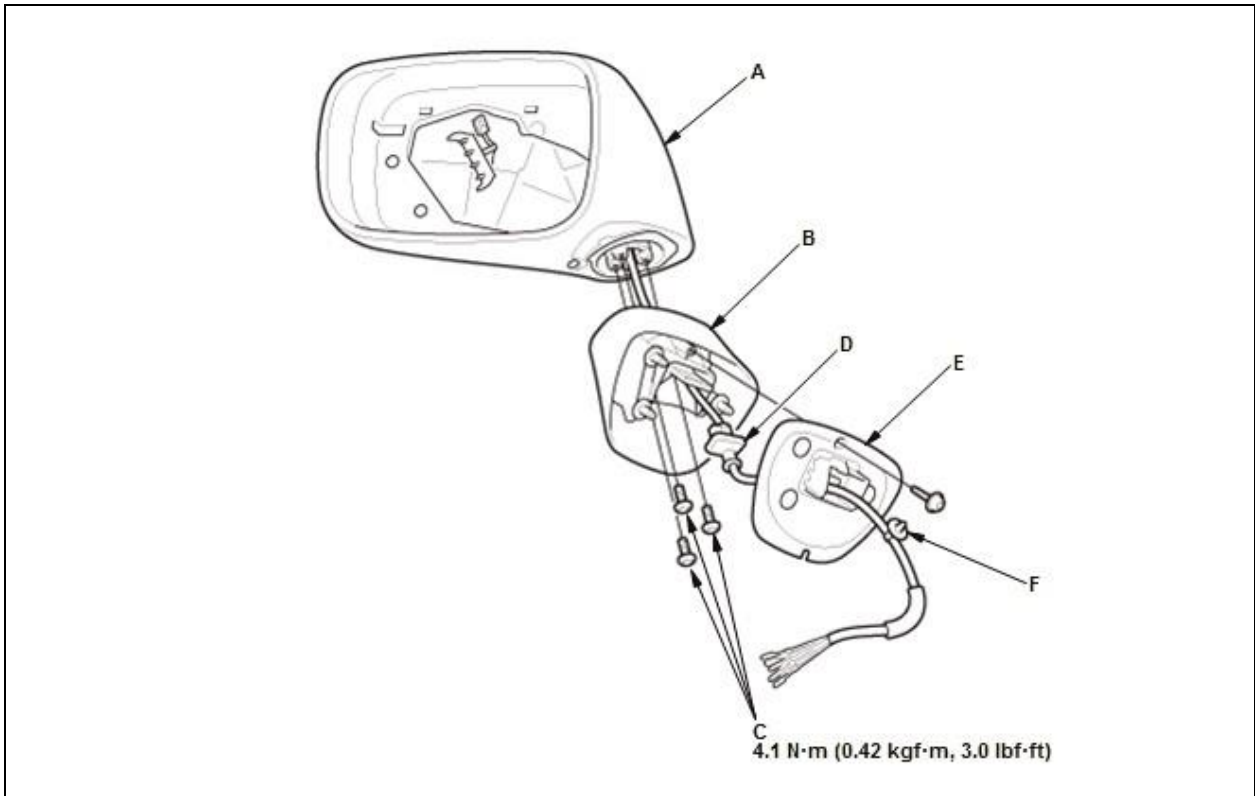
1. Power Mirror Retract Actuator - Install





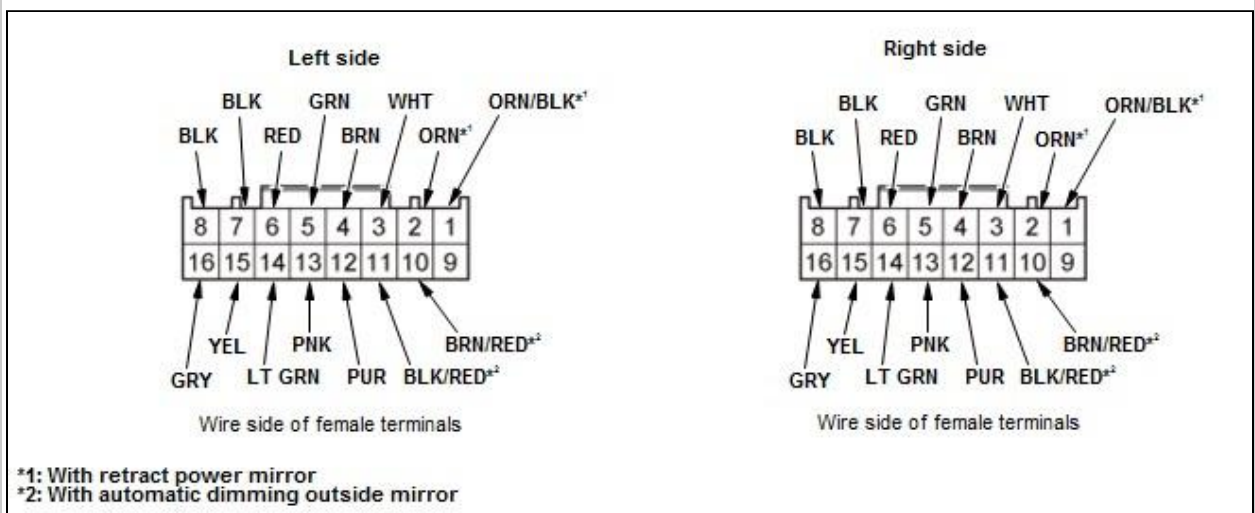
Courtesy of HONDA, U.S.A., INC.

2. Install the harness (B), then connect the retract actuator 2P connector (C)
3. Install the visor (D) and power mirror housing (E) to the actuator housing (F)
4. Install the power mirror housing (A) to the bracket (B). Apply LOCTITE to the screws (C).



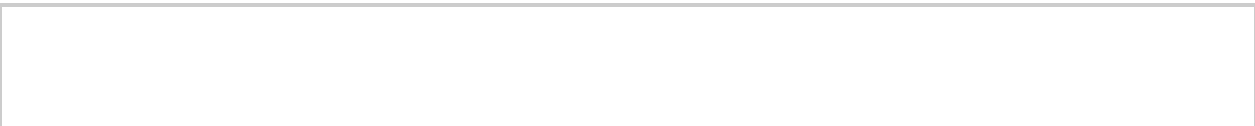
Courtesy of HONDA, U.S.A., INC.

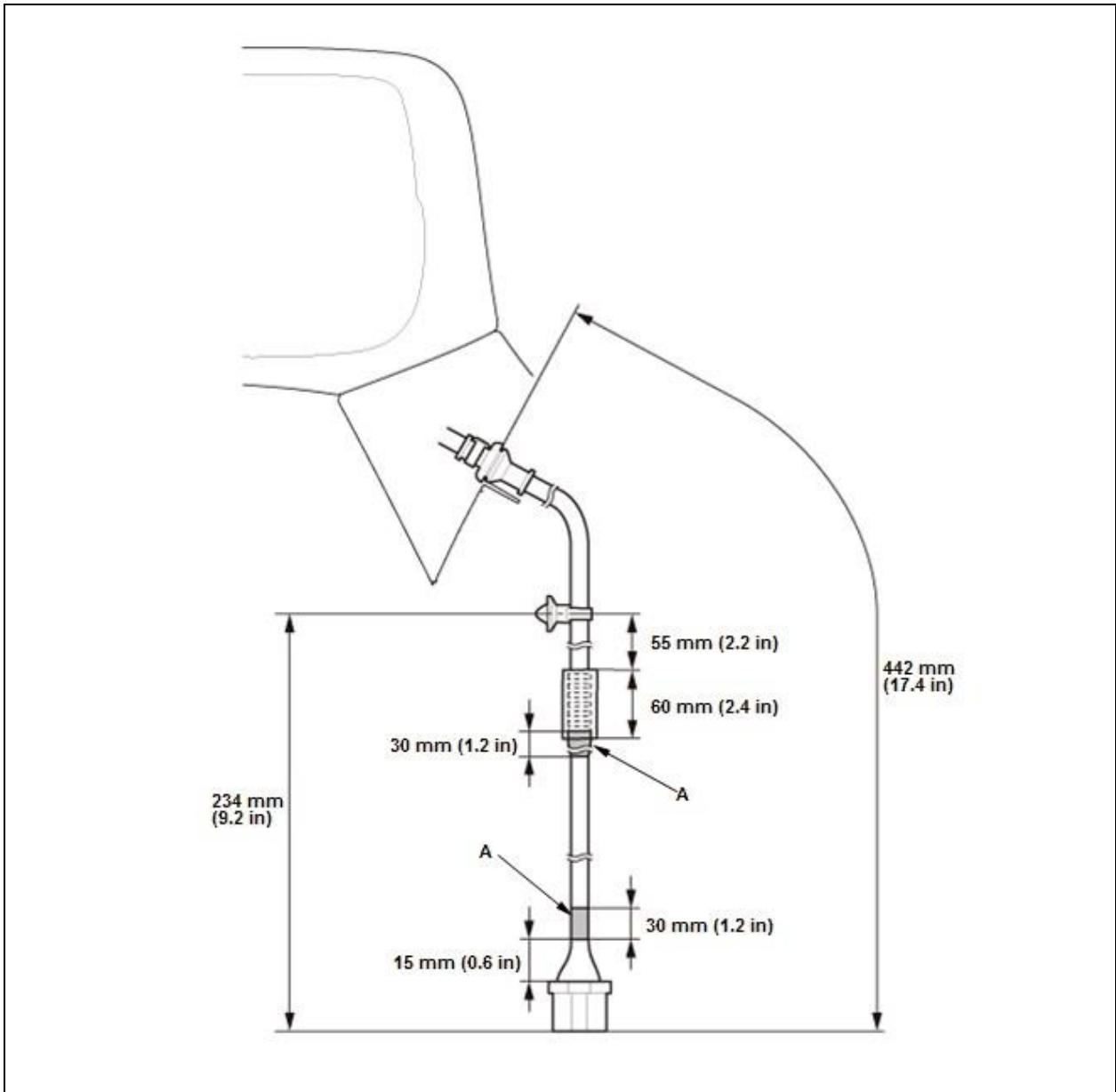
5. Install the grommet (D)
6. Install the gasket (E) and clip (F)
7. Insert the mirror actuator wires into the terminal locations at the following as shown.



Courtesy of HONDA, U.S.A., INC.

8. Apply electrical tape (A) to seal the wire harness.





Courtesy of HONDA, U.S.A., INC.

2. Side Turn Signal Light - Install
3. Power Mirror Actuator - Install
4. Power Mirror - Install

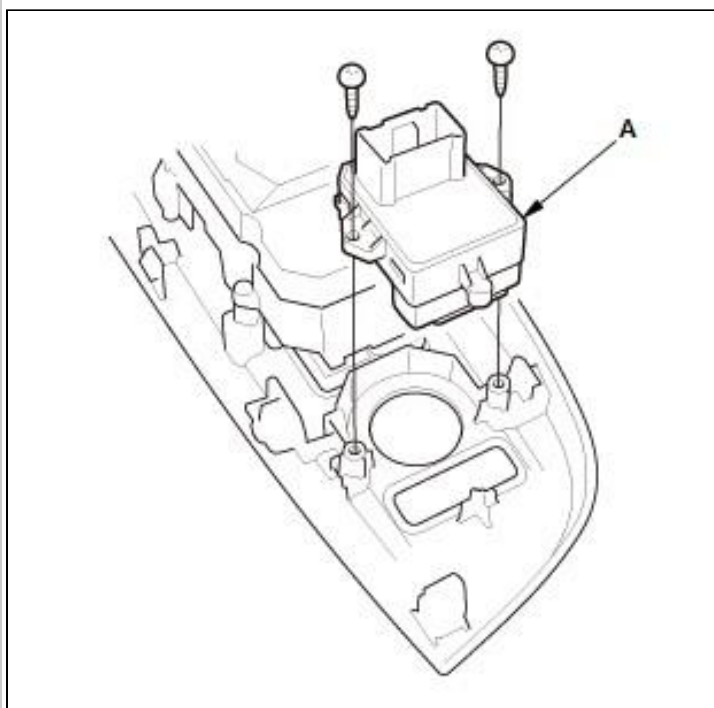
## REMOVAL & INSTALLATION > POWER MIRROR SWITCH REMOVAL AND INSTALLATION (2013-18) > REMOVAL

1. Front Door Switch Panel - Remove

1. Remove the driver's door switch panel - Refer to: Front Door Panel Removal and Installation (2013-18), or Front Door Panel Removal and Installation(With BSI Alert Indicator) (2016-18) .



## 2. Power Mirror Switch - Remove

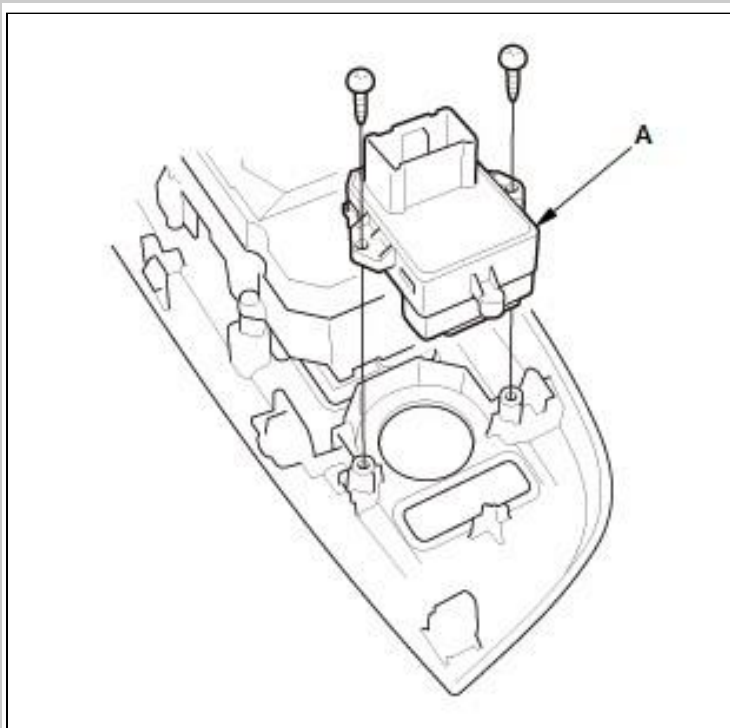


1. Remove the power mirror switch (A).

Courtesy of HONDA, U.S.A., INC.

## REMOVAL & INSTALLATION > POWER MIRROR SWITCH REMOVAL AND INSTALLATION (2013-18) > INSTALLATION

### 1. Power Mirror Switch - Install



1. Install the power mirror switch (A).

Courtesy of HONDA, U.S.A., INC.

## 2. Front Door Switch Panel - Install

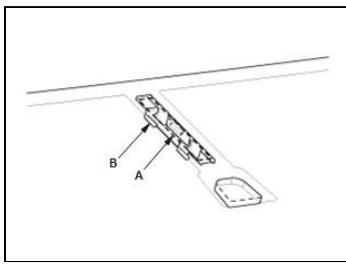
1. Install the driver's door switch panel - Refer to: Front Door Panel Removal and Installation (2013-18), or Front Door Panel Removal and Installation(With BSI Alert Indicator) (2016-18) .

**REMOVAL & INSTALLATION > REARVIEW MIRROR HARNESS COVER BASE  
REMOVAL AND INSTALLATION (2013-18) > REMOVAL**

## 1. Rearview Mirror - Remove

1. Remove the rearview mirror - Refer to: Rearview Mirror Removal and Installation (2013-18), or Rearview Mirror Removal and Installation(With Camera Cover) (2016-18) .

## 2. Rearview Mirror Harness Cover Base - Remove

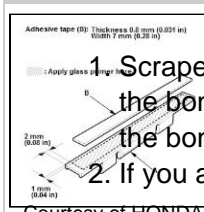


1. Carefully cut through the adhesive tape (A) under the rearview mirror harness cover base (B) with a piano wire, then remove the base.

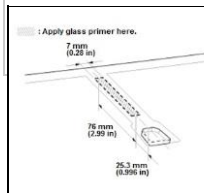
Courtesy of HONDA, U.S.A., INC.

## REMOVAL & INSTALLATION > REARVIEW MIRROR HARNESS COVER BASE REMOVAL AND INSTALLATION (2013-18) > INSTALLATION

### 1. Rearview Mirror Harness Cover Base - Install



Courtesy of HONDA,  
U.S.A., INC.



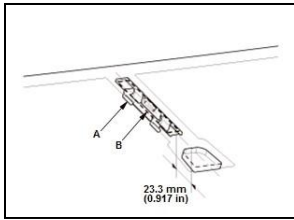
Courtesy of HONDA,  
U.S.A., INC.

1. Scrape off all of the original the adhesive tape with a putty knife from the windshield. Clean the bonding surface on the inside face of the windshield with isopropyl alcohol. Make sure the bonding surface is kept free of water, oil and grease

2. If you are reinstalling the original rearview mirror harness cover base (A), scrape off all of the original adhesive tape with a putty knife from the base. Clean the base surface with isopropyl alcohol. Apply primer to the base as shown, and attach the adhesive tape (B) to the base.

windshield. Let the primer dry at least 10 minutes, then attach it to the windshield within 12 hours.

3. Before installing the rearview mirror harness cover base, apply primer to the area where the harness cover base will be applied to the inside face of the



Courtesy of HONDA, U.S.A.,  
INC.

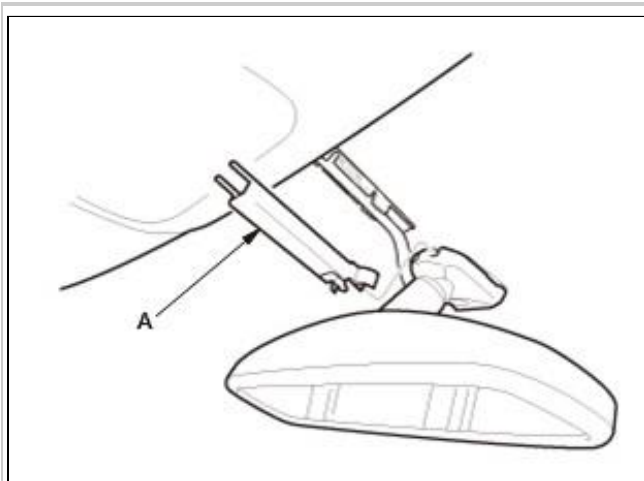
4. Attach the rearview mirror harness cover base (A) with adhesive tape (B) to the inside face of the windshield as shown, then press the adhesive areas into place securely.

## 2. Rearview Mirror - Install

1. Install the rearview mirror - Refer to: Rearview Mirror Removal and Installation (2013-18), or Rearview Mirror Removal and Installation(With Camera Cover) (2016-18) .

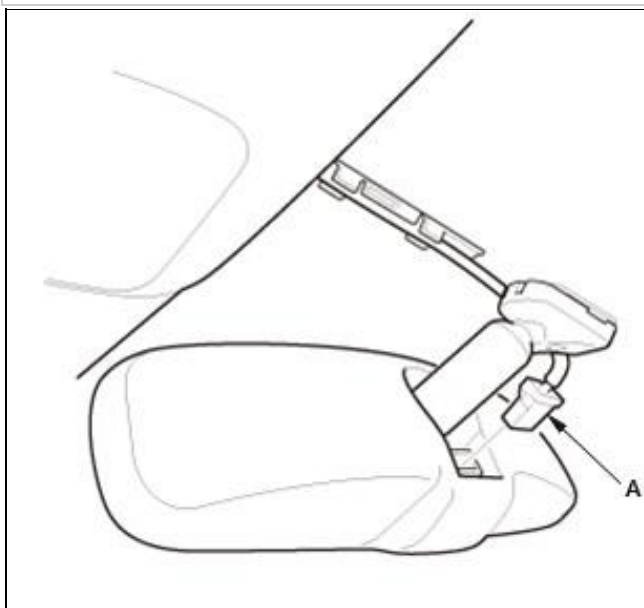
# REMOVAL & INSTALLATION > REARVIEW MIRROR REMOVAL AND INSTALLATION (2013-18) > REMOVAL

## 1. Rearview Mirror - Remove



1. Remove the rearview mirror harness cover (A).

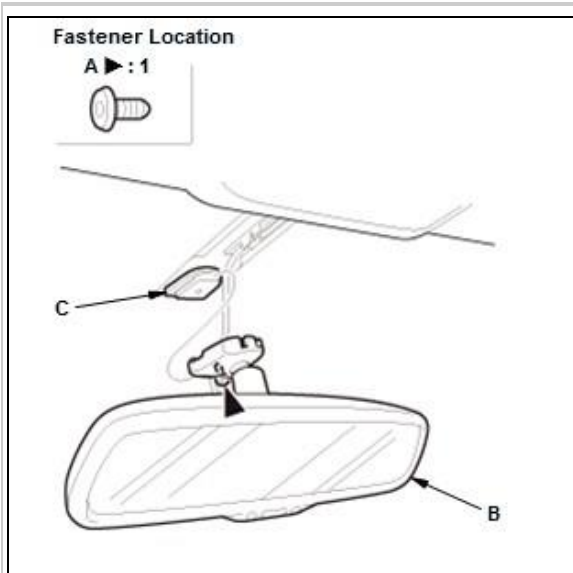
Courtesy of HONDA, U.S.A., INC.



(A).

Courtesy of HONDA, U.S.A., INC.

Disconnect the rearview mirror connector

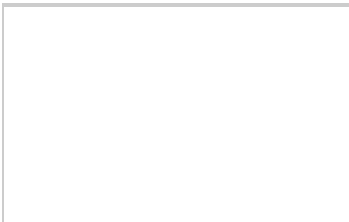


3. Loosen the screw (A) with a TORX T20 bit
4. Slide the rearview mirror (B) rearward and off the mount (C).

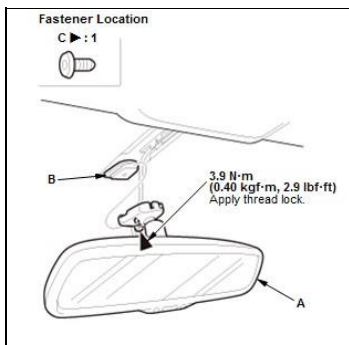
Courtesy of HONDA, U.S.A., INC.

## REMOVAL & INSTALLATION > REARVIEW MIRROR REMOVAL AND INSTALLATION (2013-18) > INSTALLATION

### 1. Rearview Mirror - Install

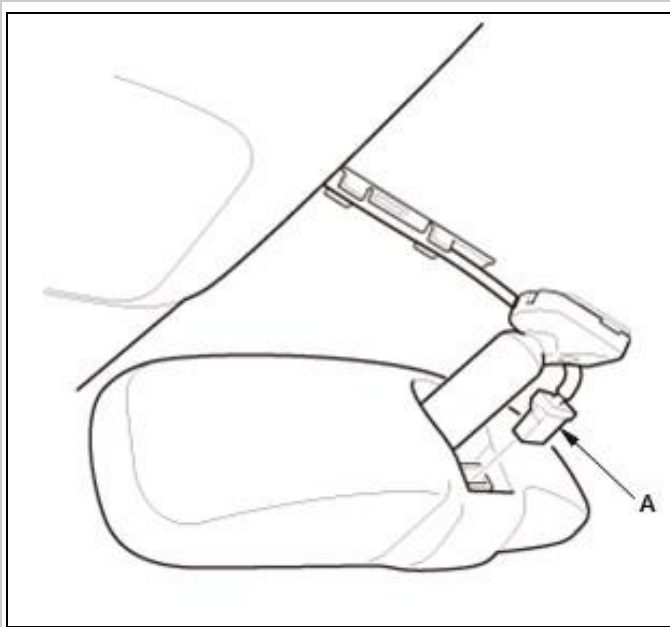


1. Install the rearview mirror (A) to the mount (B)
2. Install the screw (C) with a TORX T20 bit.



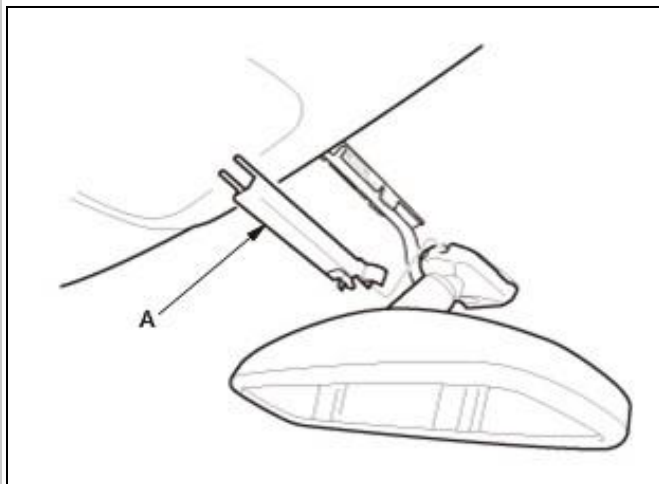
**NOTE:** Before installing the rearview mirror, remove the TORX screw, and apply medium strength liquid thread lock to it.

Courtesy of HONDA, U.S.A., INC.



3. Connect the rearview mirror connector (A).

Courtesy of HONDA, U.S.A., INC.



4. Install the rearview mirror harness cover (A).

Courtesy of HONDA, U.S.A., INC.

## REMOVAL & INSTALLATION > REARVIEW MIRROR REMOVAL AND INSTALLATION(WITH CAMERA COVER) (2016-18) > REMOVAL\_INSTALLATION

1. Camera Cover - Remove

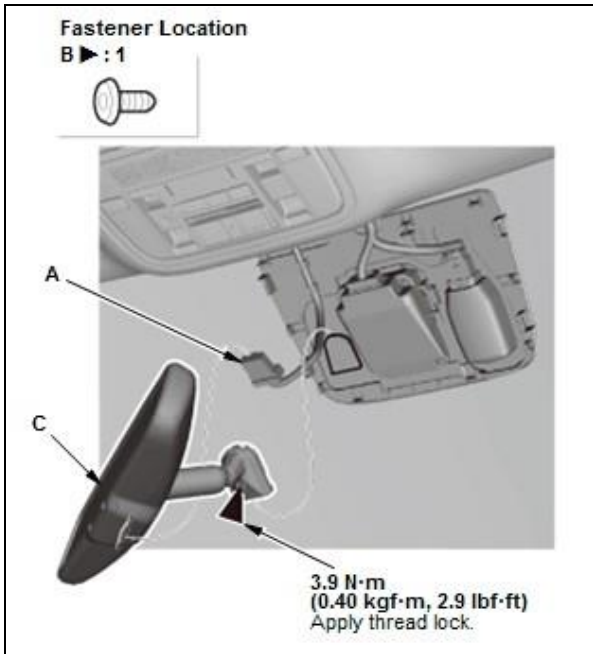




Courtesy of HONDA, U.S.A., INC.

## 2. Rearview Mirror - Remove

1. Disconnect the connector (A)
2. Loosen the screw (B) with a TORX T20 bit
3. Slide the rearview mirror (C) rearward and off themount.



Courtesy of HONDA, U.S.A., INC.

### 3. All Removed Parts - Install

1. Install the parts in the reverse order of removal.