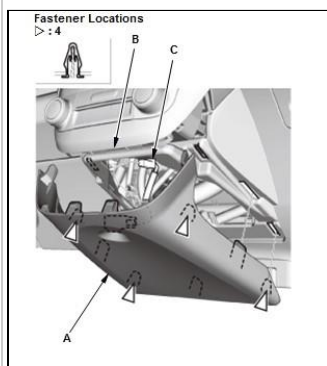


REMOVAL / INSTALLATION > DASHBOARD CENTER LOWER PANEL REMOVAL AND INSTALLATION (2013-18)

REMOVAL

1. Dashboard Center Lower Panel - Remove

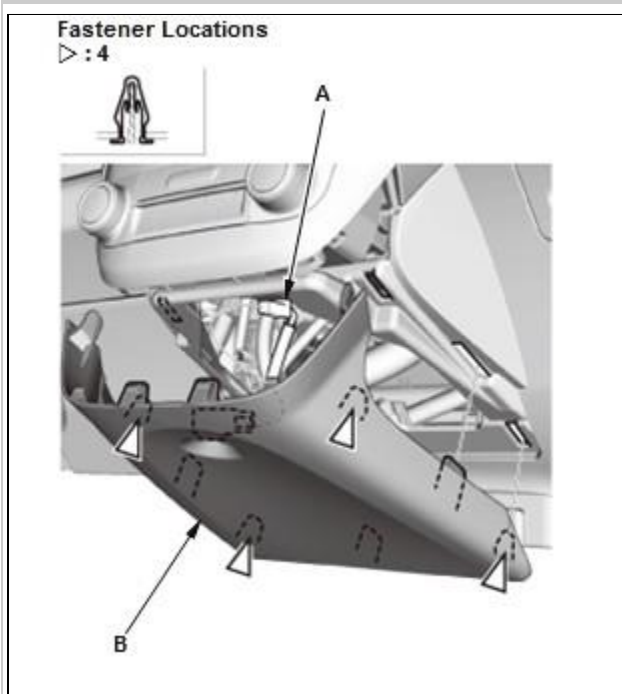


Courtesy of HONDA, U.S.A., INC.

1. Using a plastic trim tool, pry between the dashboard center lower panel (A) and the audio bezel (B), then pull down on each side to release the clips
2. Disconnect the center lower panel light connector (C).

REMOVAL / INSTALLATION > DASHBOARD CENTER LOWER PANEL REMOVAL AND INSTALLATION (2013-18) > INSTALLATION

1. Dashboard Center Lower Panel - Install



1. Connect the center lower panel light connector (A)
2. Install the dashboard center lower panel (B).

Courtesy of HONDA, U.S.A., INC.