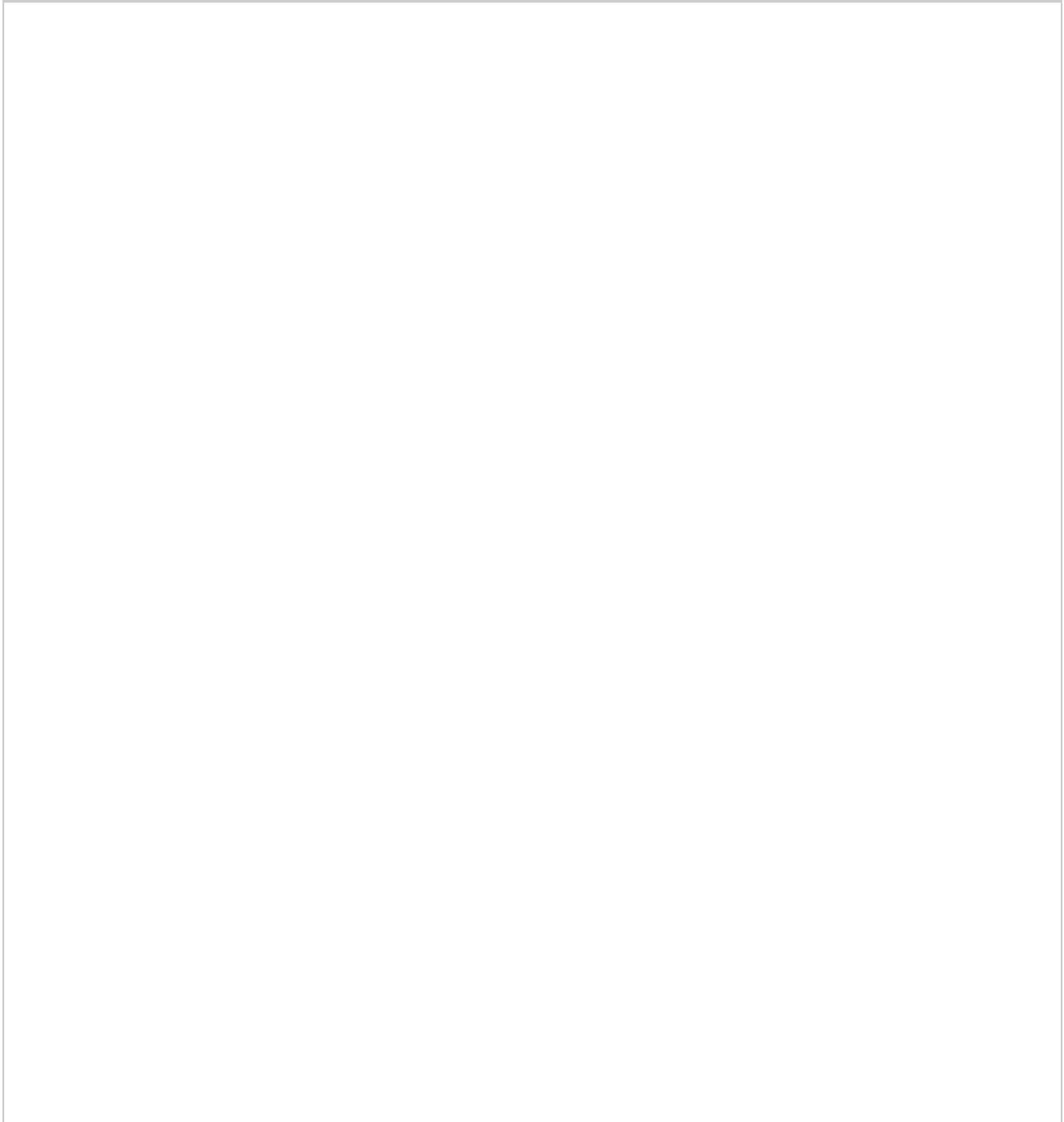


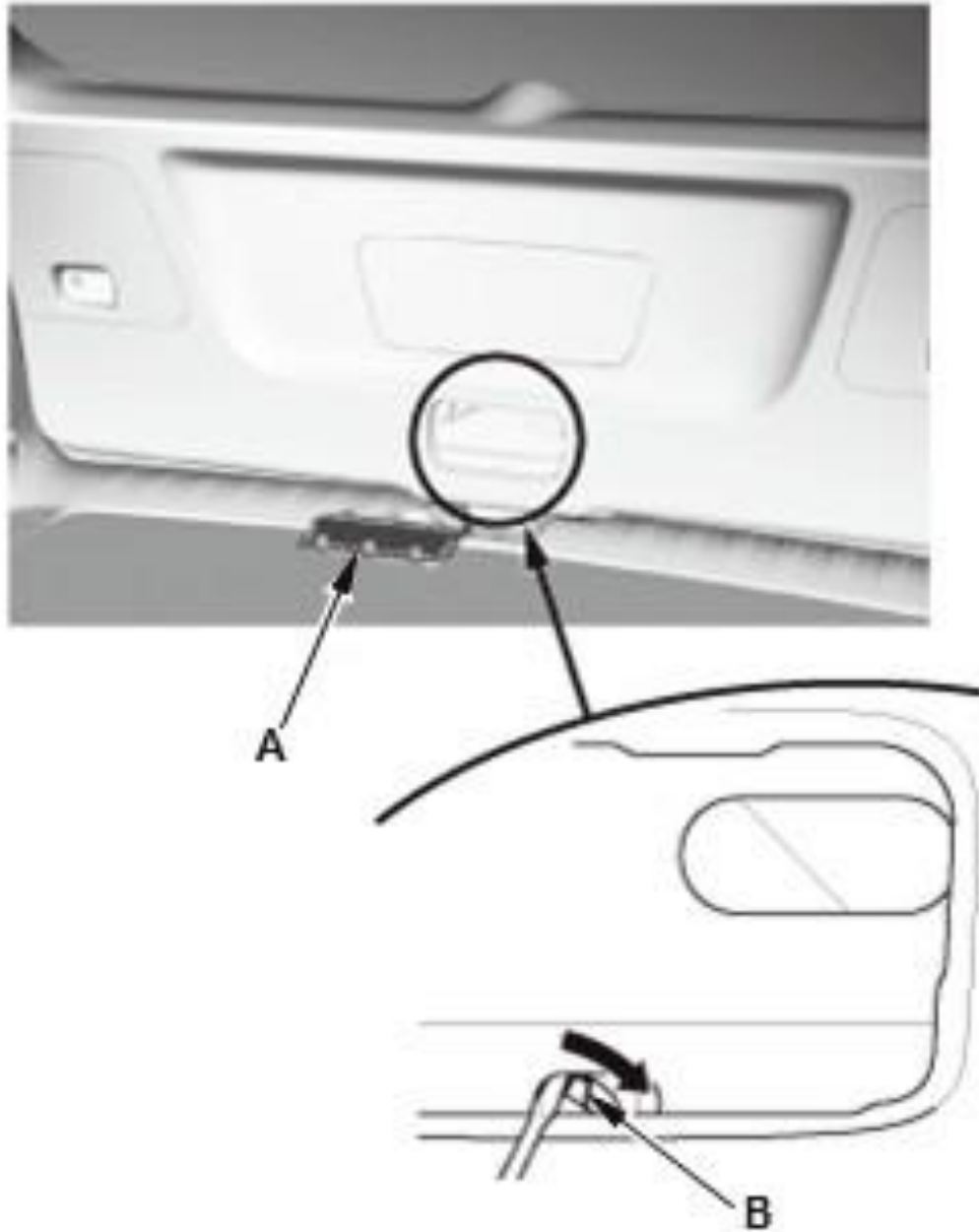
Tailgate Latch Removal And Installation (2013-18)

Removal

NOTE: If the tailgate latch cannot be unlocked by using the tailgate outer handle switch or the keyless entry transmitter or by unlocking the driver's door lock, remove the maintenance lid (A) from the tailgate lower trim panel, then turn the emergency lever (B) clockwise as shown.

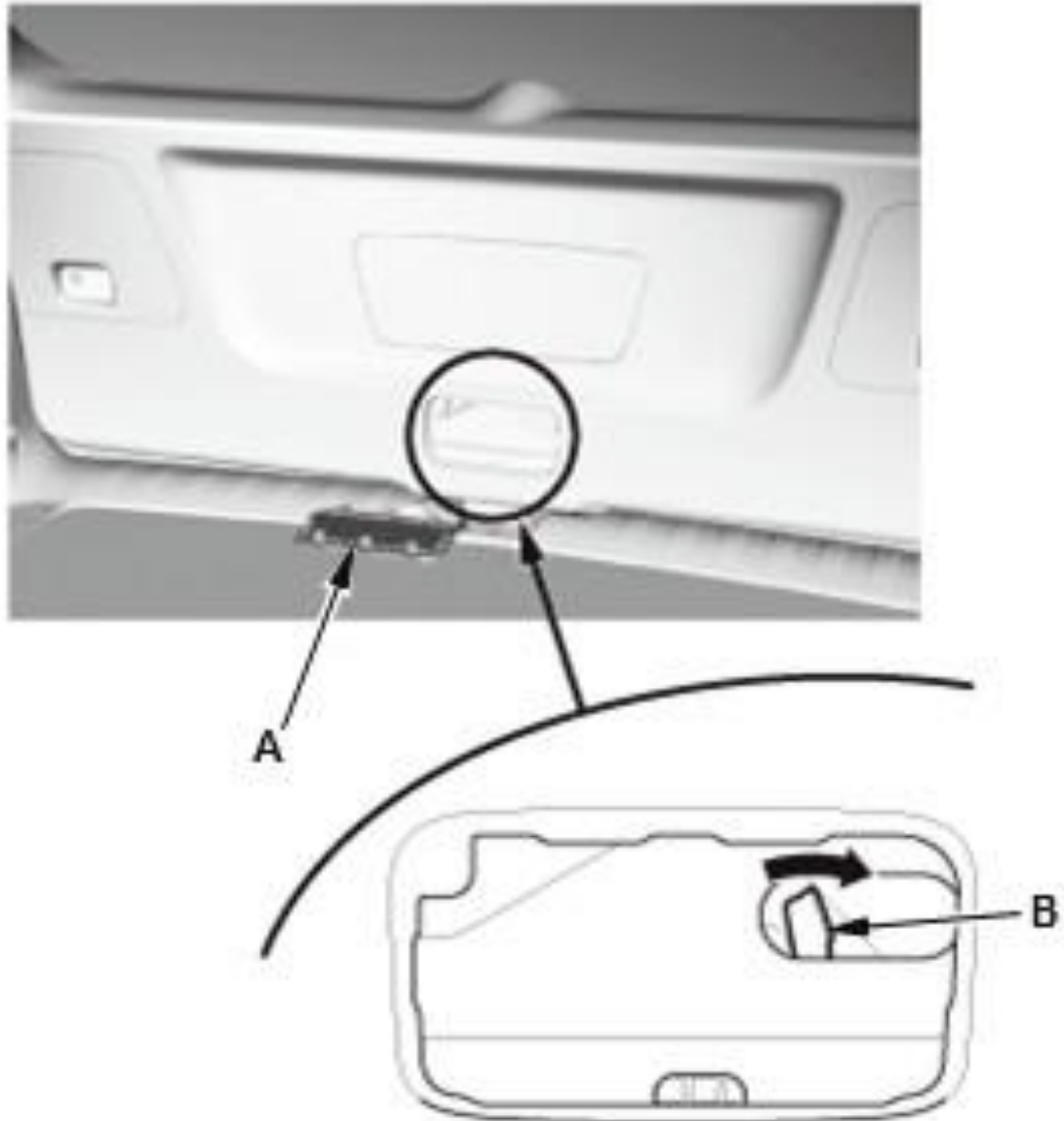
Without power tailgate





Courtesy of HONDA, U.S.A., INC.

With power tailgate



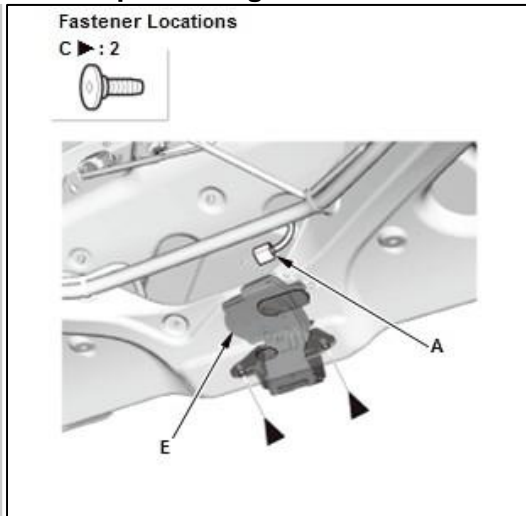
Courtesy of HONDA, U.S.A., INC.

1. Tailgate Lower Trim Panel - Remove

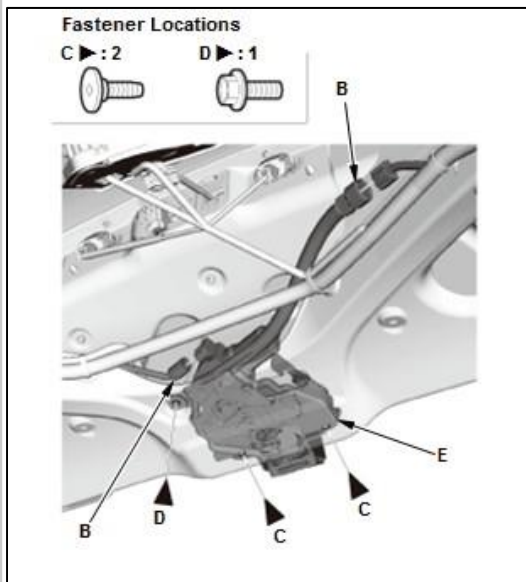
1. Remove the tailgate lower trim panel - Refer to: Interior Trim Removal and Installation - Cargo Areas (2013-18), or Interior Trim Removal and Installation - Pillar Areas (2013-18), or Interior Trim Removal and Installation - Rear Side Area (2013-18), or Interior Trim Removal and Installation - Tailgate Areas (2013-18), or Interior Trim Removal and Installation - Door Areas (2013-18) .

2. Tailgate Latch - Remove

Without power tailgate

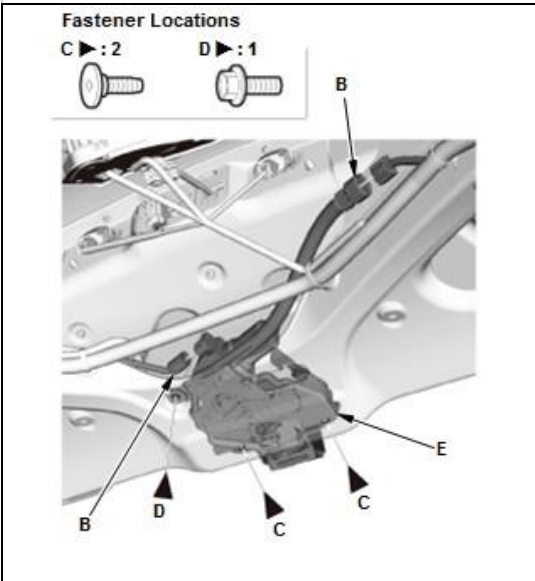
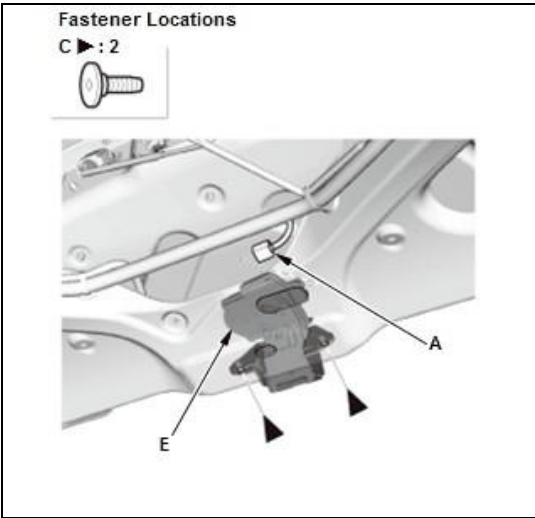


1. Disconnect the tailgate latch switch connector (A) (without power tailgate) or the power tailgate closer unit connectors (B) (with power tailgate)
2. Remove the bolts (C, D) securing the tailgate latch (E).



Courtesy of HONDA, U.S.A., INC. HONDA, U.S.A., INC.

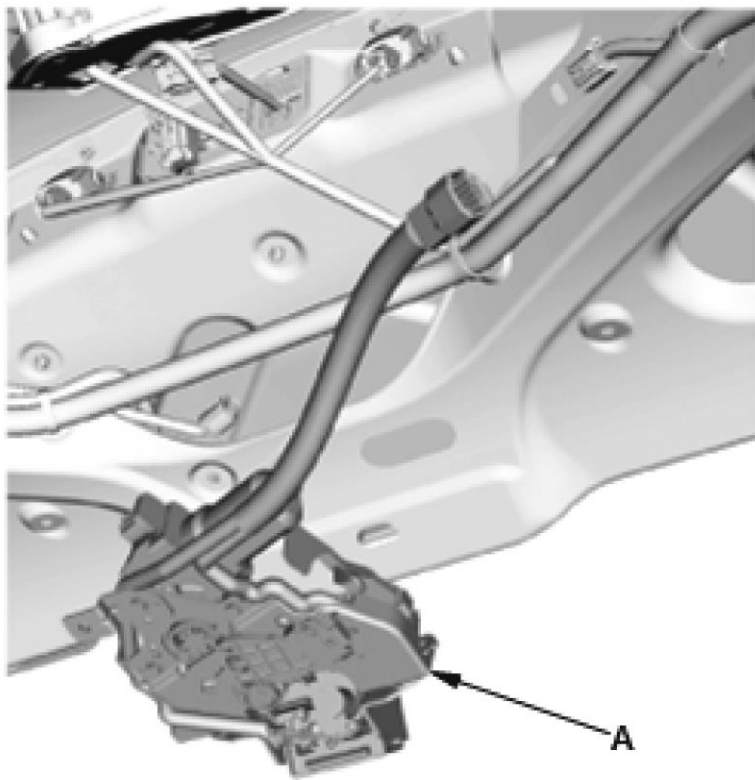
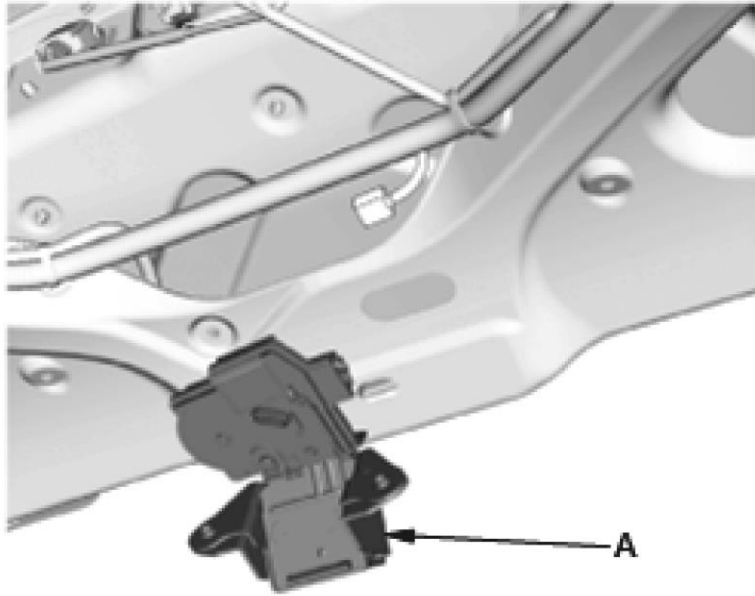
With power tailgate



Courtesy of HONDA, U.S.A., INC. HONDA, U.S.A., INC.

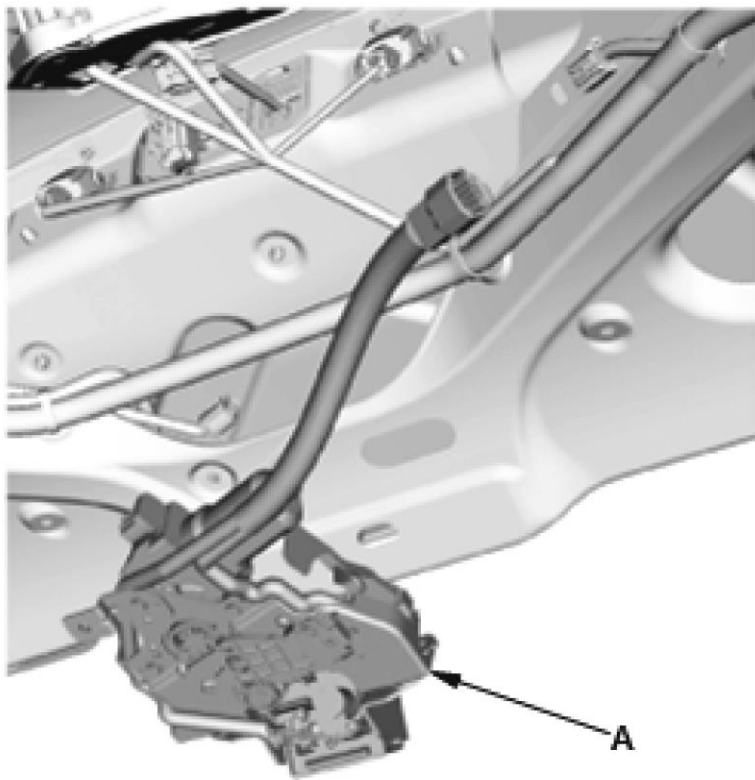
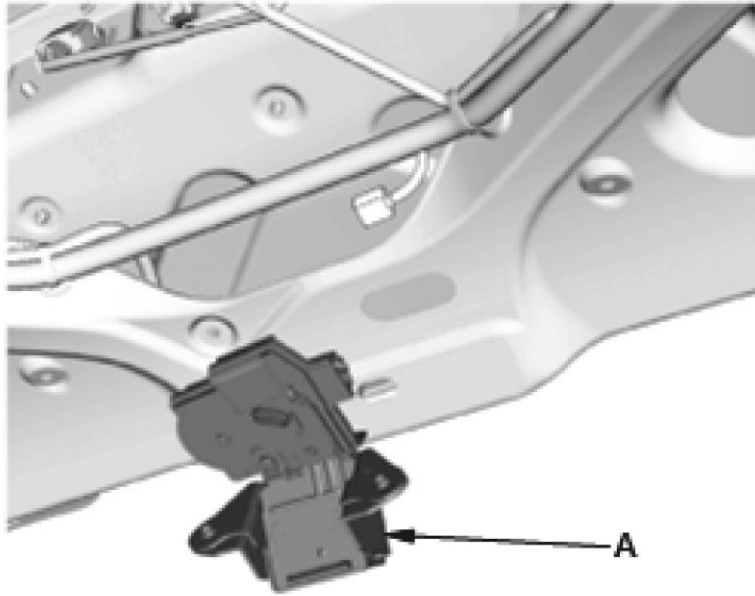
Without power tailgate

3. Remove the tailgate latch (A).



Courtesy of HONDA , U.S.A., INC.HONDA , U.S.A., INC.

With power tailgate



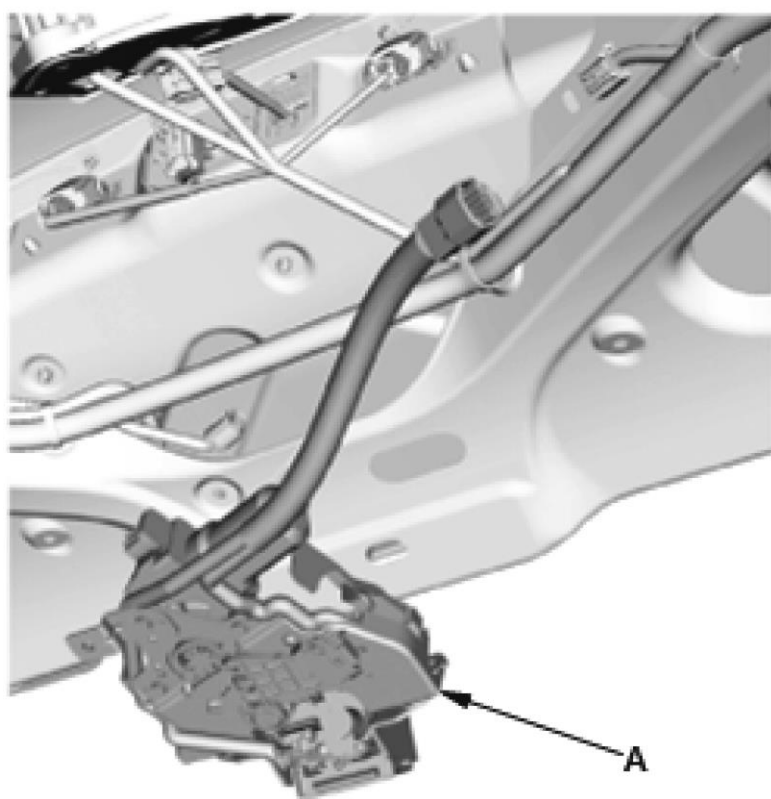
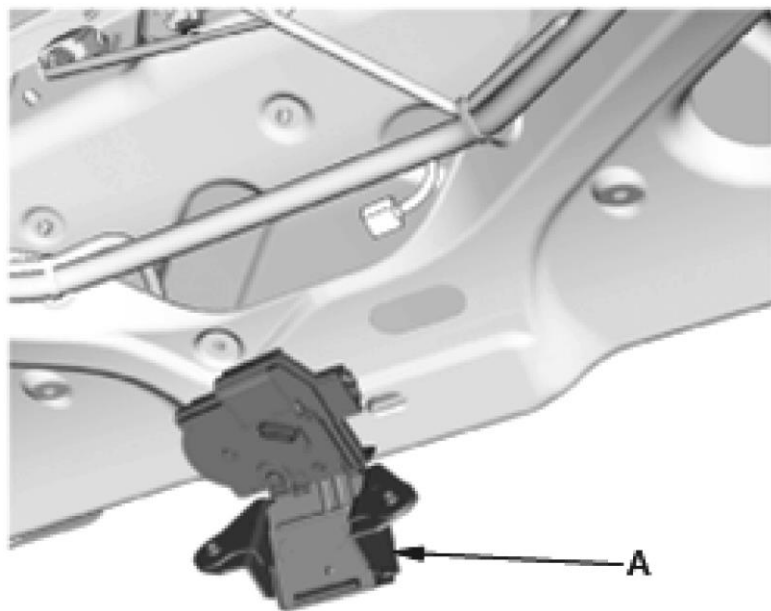
Courtesy of HONDA, U.S.A., INC. HONDA, U.S.A., INC.

Installation

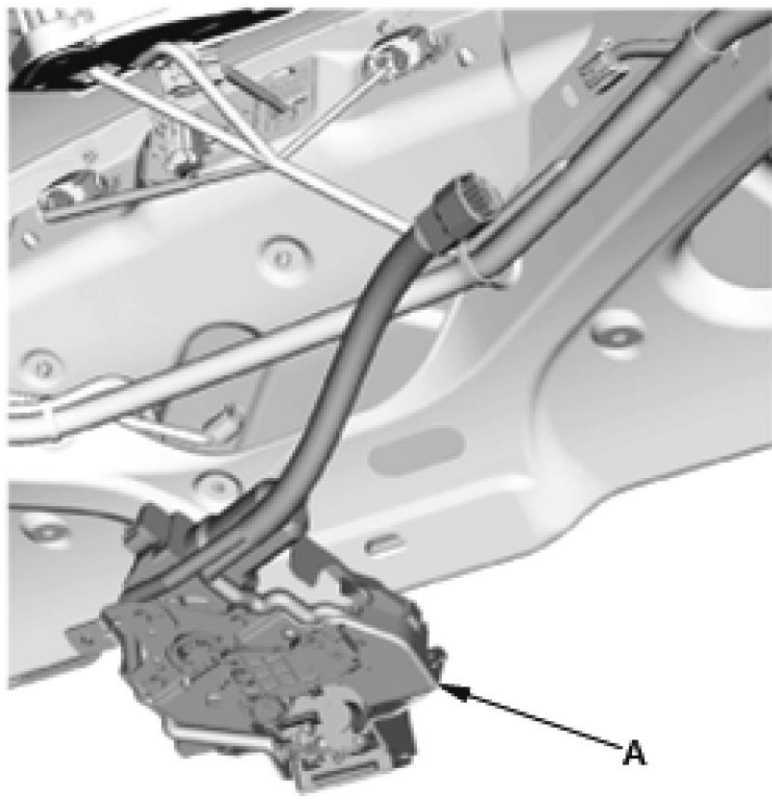
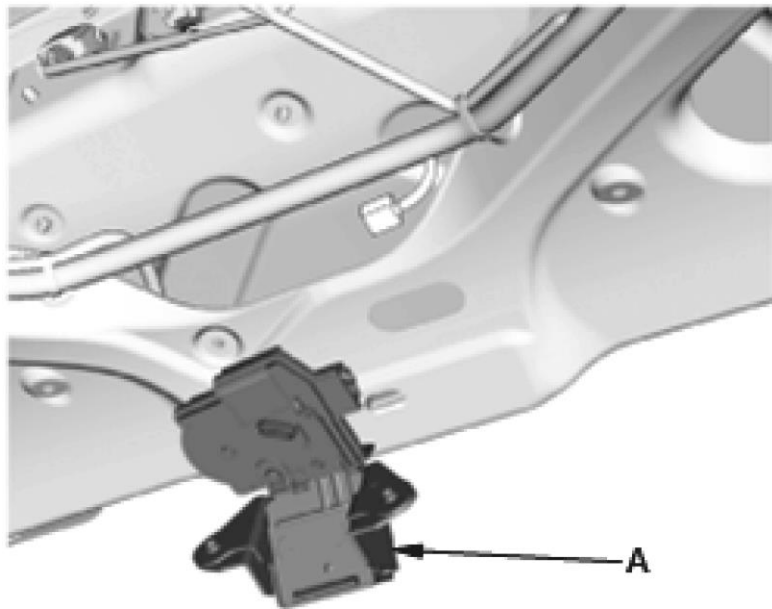
1. Tailgate Latch - Install

Without power tailgate

1. Install the tailgate latch (A).

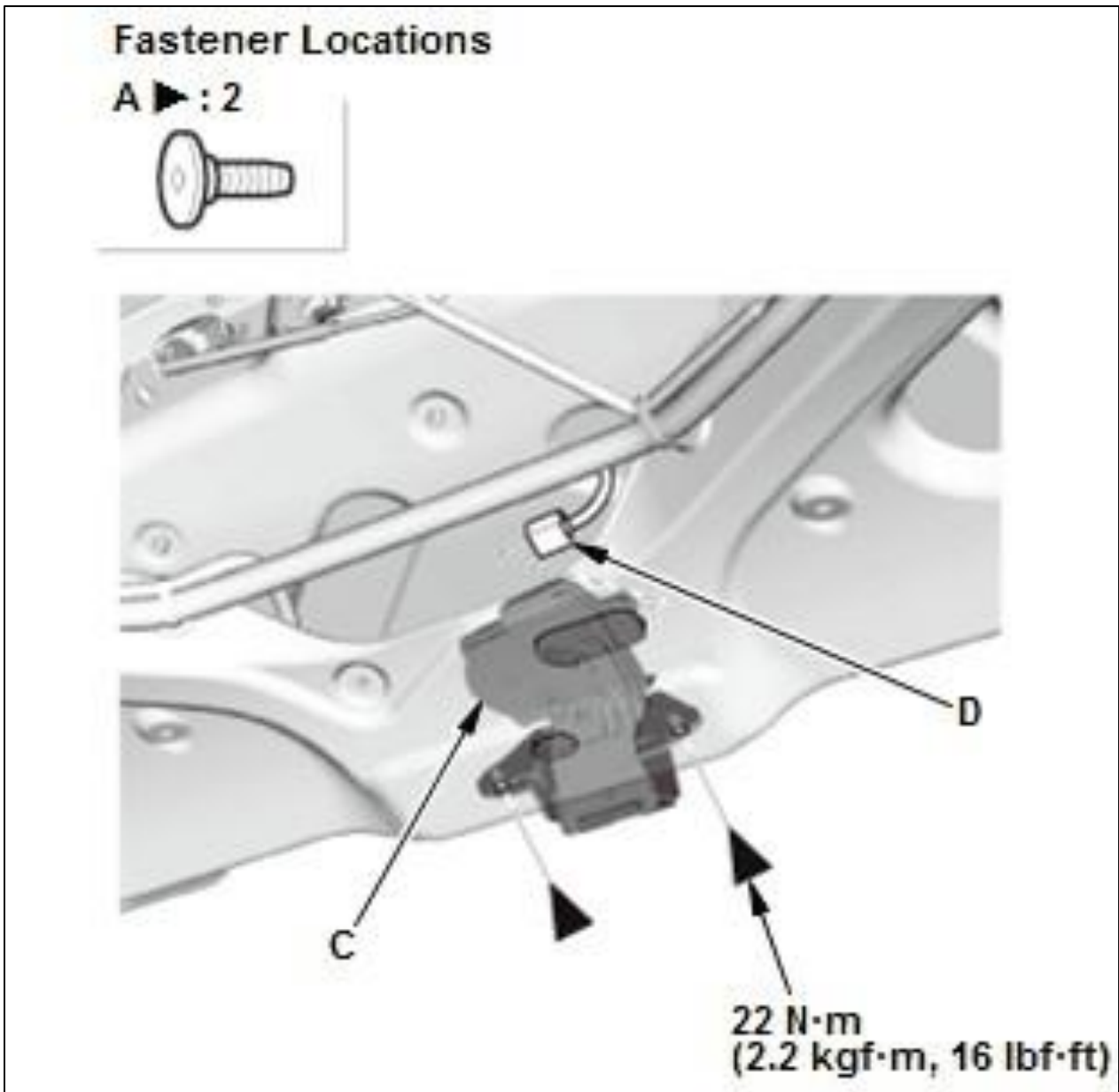


With power tailgate



Without power tailgate

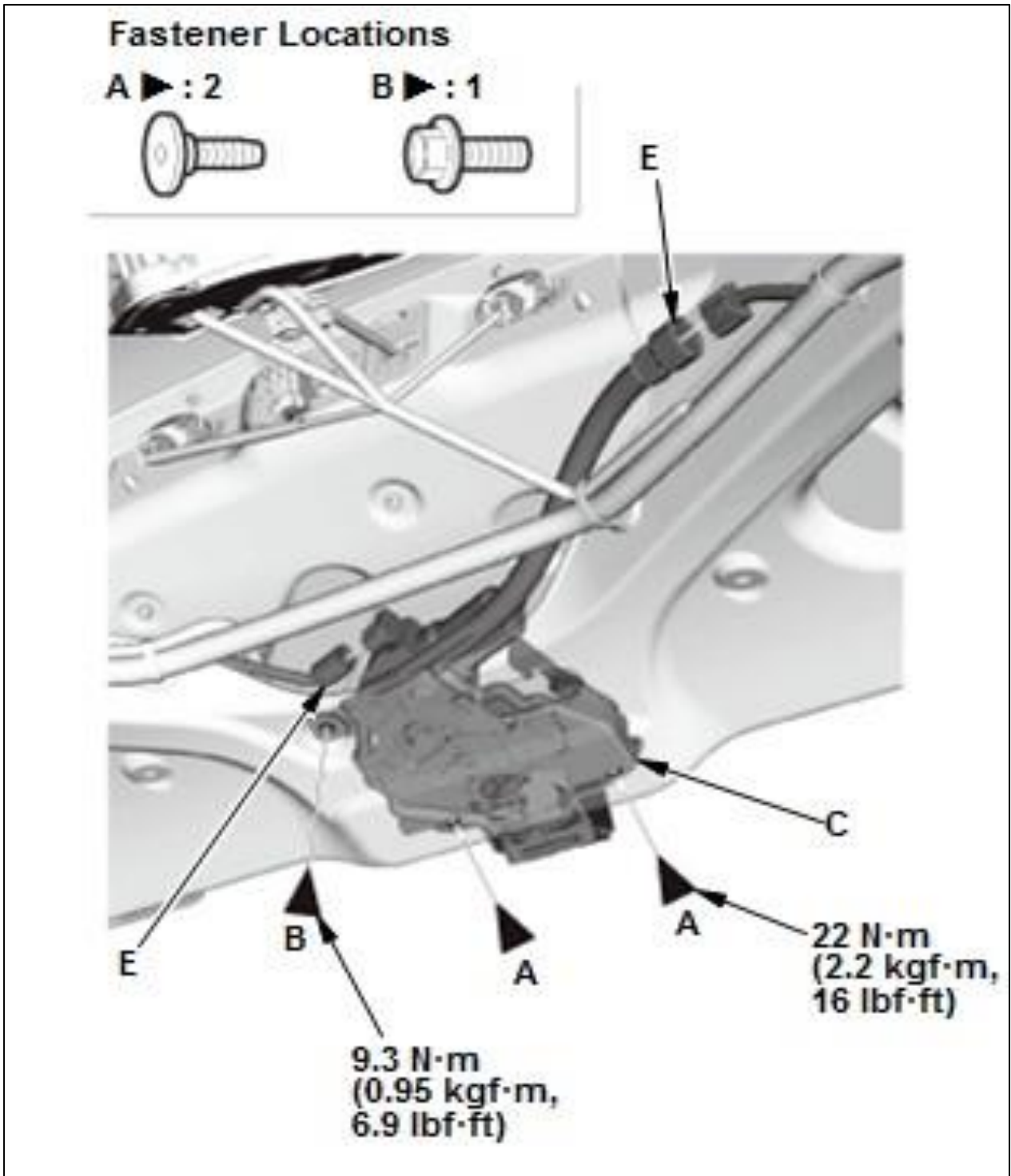
Fig 1: Tailgate Latch With Torque Specifications (Without Power Tailgate)



Courtesy of HONDA, U.S.A., INC.

With power tailgate

Fig 2: Tailgate Latch With Torque Specifications (With Power Tailgate)



Courtesy of HONDA, U.S.A., INC.

2. Install the bolts (A, B) securing the tailgate latch (C)
3. Connect the tailgate latch switch connector (D) (without power tailgate) or the power tailgate closer unit connectors (E) (with power tailgate).

2. Tailgate Lower Trim Panel - Install

1. Install the tailgate lower trim panel - Refer to: Interior Trim Removal and Installation - Cargo

Areas (2013-18), or Interior Trim Removal and Installation - Pillar Areas (2013-18), or Interior Trim Removal and Installation - Rear Side Area (2013-18), or Interior Trim Removal and Installation - Tailgate Areas (2013-18), or Interior Trim Removal and Installation - Door Areas (2013-18) .