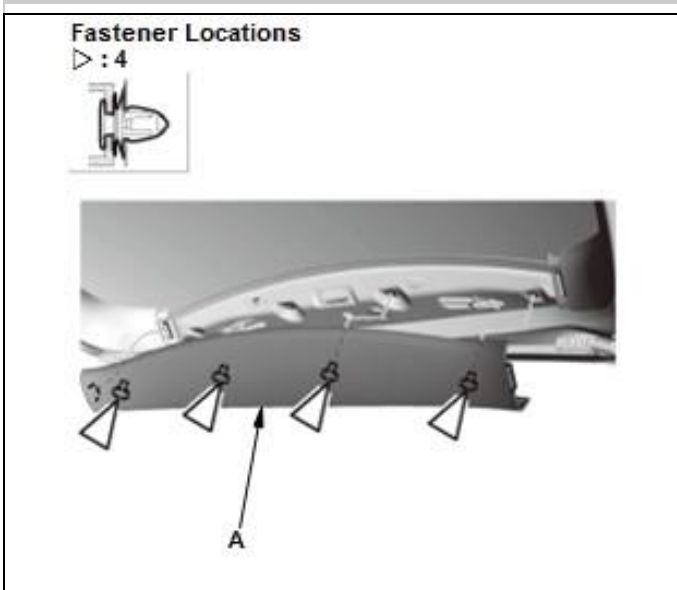


## Interior Trim Removal And Installation - Tailgate Areas (2013-18)

### Removal

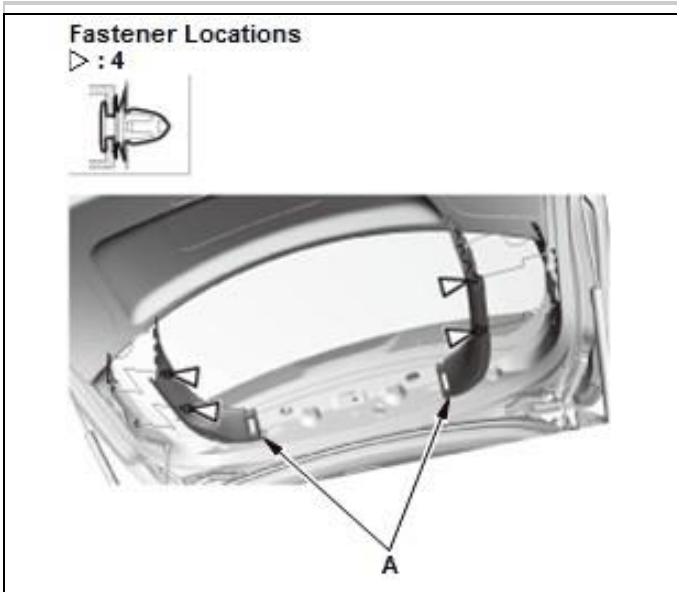
#### 1. Tailgate Upper Trim Panel - Remove



1. Remove the tailgate upper trim panel (A).

Courtesy of HONDA, U.S.A., INC.

#### 2. Tailgate Side Trim Panel - Remove



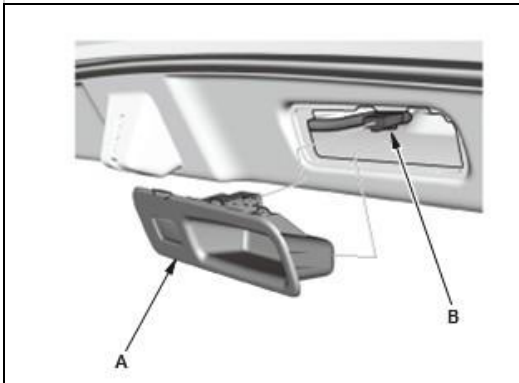
1. Remove the tailgate side trim panels (A).

Courtesy of HONDA, U.S.A., INC.

3. Tailgate Light - Remove

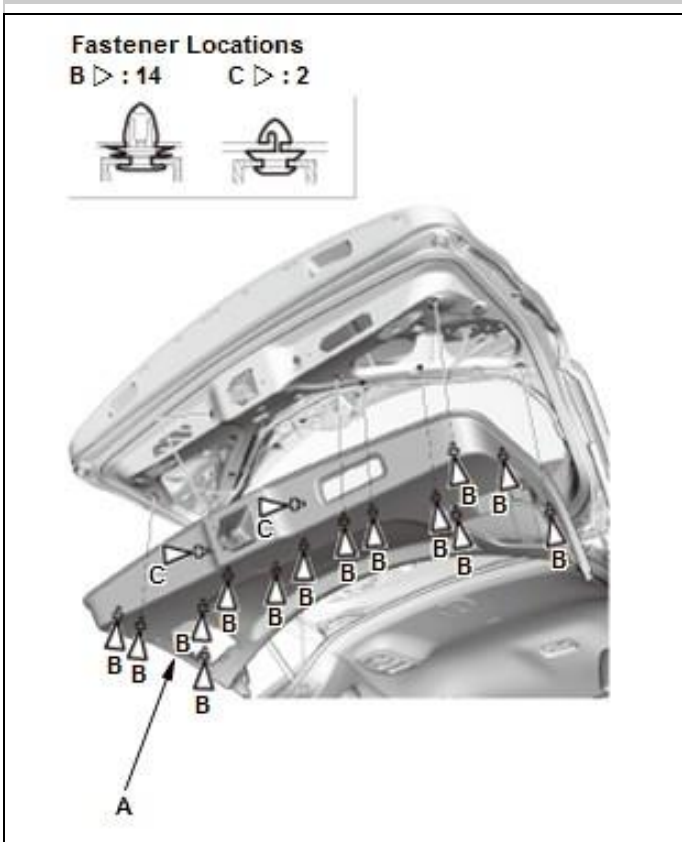
1. Remove both tailgate light .

4. Tailgate Lower Trim Panel - Remove



1. Remove the pull pocket (A)
2. With power tailgate: Disconnect the power tailgate switch connector (B).

Courtesy of HONDA, U.S.A., INC.

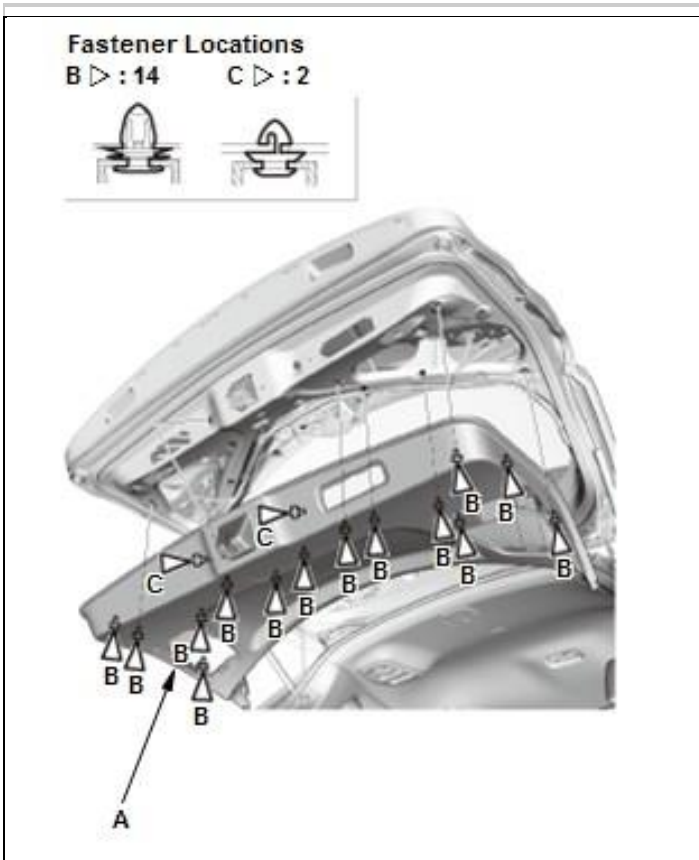


3. Remove the tailgate lower trim panel (A).

Courtesy of HONDA, U.S.A., INC.

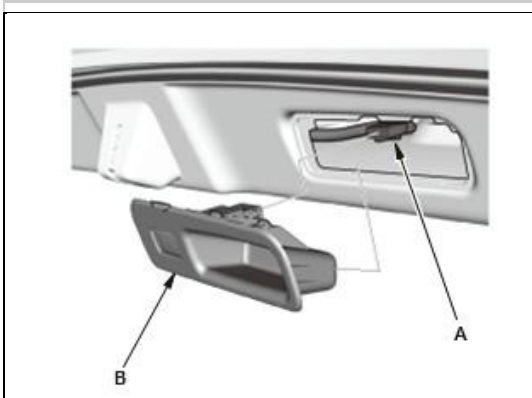
**Installation**

## 1. Tailgate Lower Trim Panel - Install



1. Install the tailgate lower trim panel (A).

Courtesy of HONDA, U.S.A., INC.



2. With power tailgate: Connect the power tailgate switch connector (A)  
3. Install the pull pocket (B).

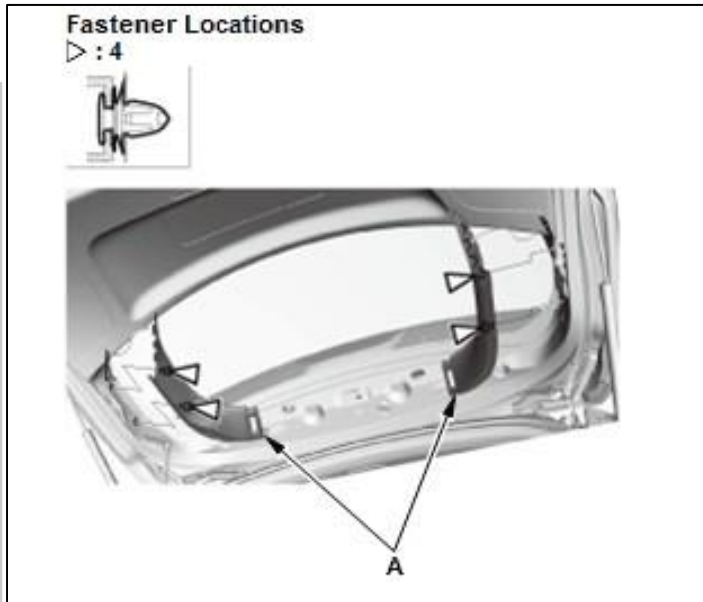
Courtesy of HONDA, U.S.A., INC.

## 2. Tailgate Light - Install

1. Install both tailgate light .

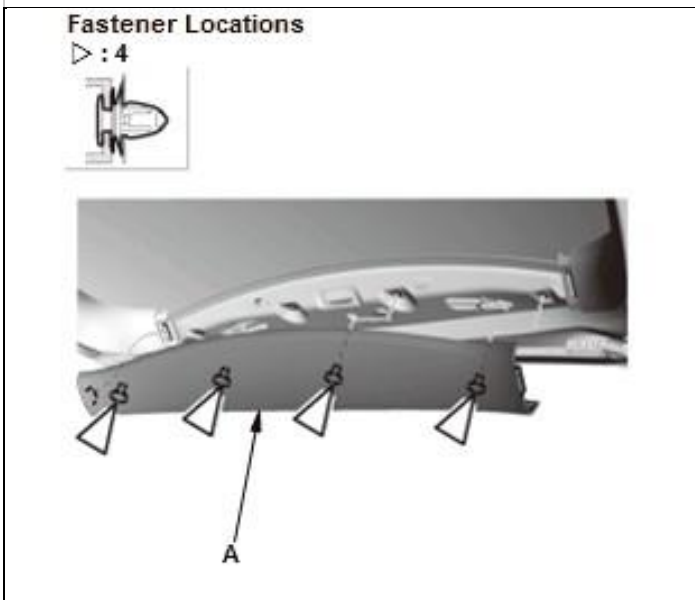
## 3. Tailgate Side Trim Panel - Install

1. Install the tailgate side trim panels (A).



Courtesy of HONDA, U.S.A., INC.

#### 4. Tailgate Upper Trim Panel - Install



Courtesy of HONDA, U.S.A., INC.

1. Install the tailgate upper trim panel (A).