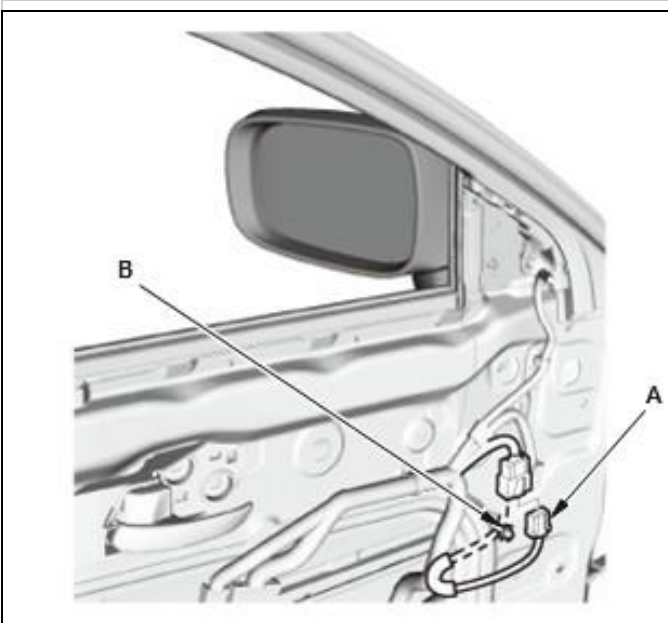


REMOVAL & INSTALLATION > POWER MIRROR REMOVAL AND INSTALLATION (2013-18) > REMOVAL

1. Front Door Panel - Remove

1. Remove the front door panel - Refer to: Front Door Panel Removal and Installation (2013-18), or Front Door Panel Removal and Installation(With BSI Alert Indicator) (2016-18) .

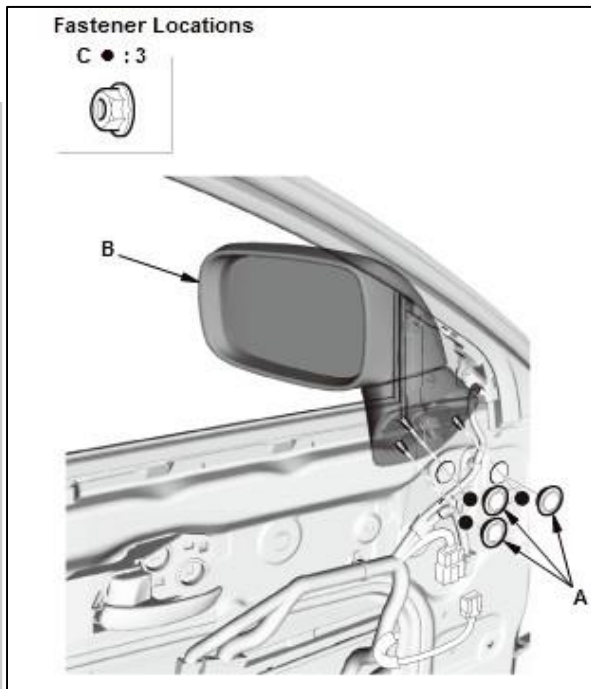
2. Power Mirror - Remove



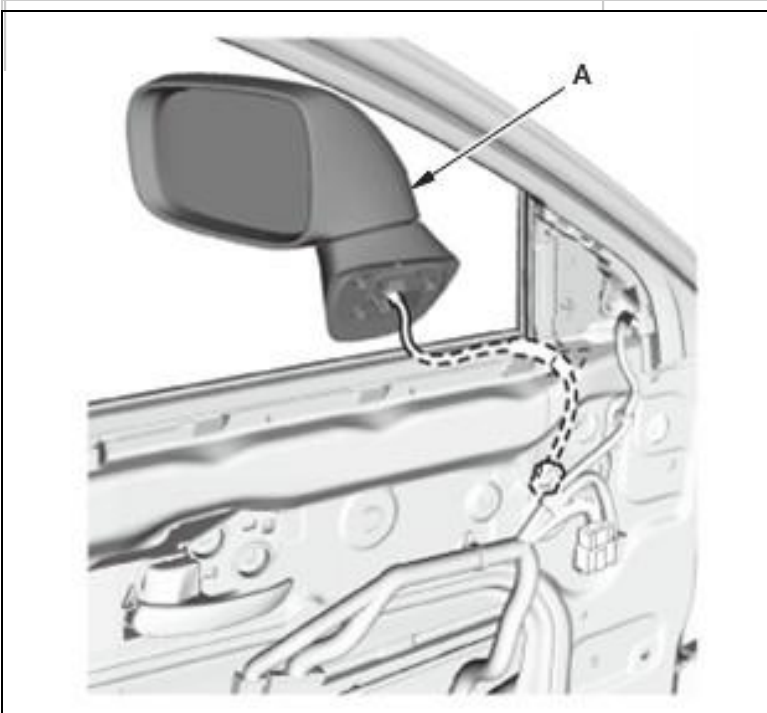
1. Disconnect the power mirror connector (A)
2. Remove the harness clip (B).

Courtesy of HONDA, U.S.A., INC.

3. Remove the plug caps (A)
4. While holding the power mirror (B), remove the nuts (C).



Courtesy of HONDA, U.S.A., INC.

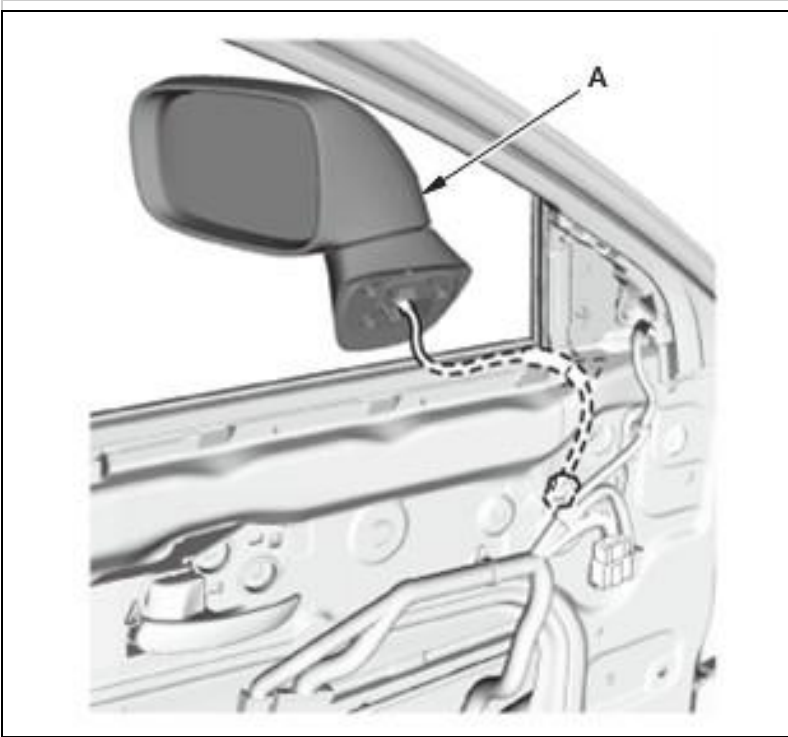


Courtesy of HONDA, U.S.A., INC.

5. Remove the power mirror (A).

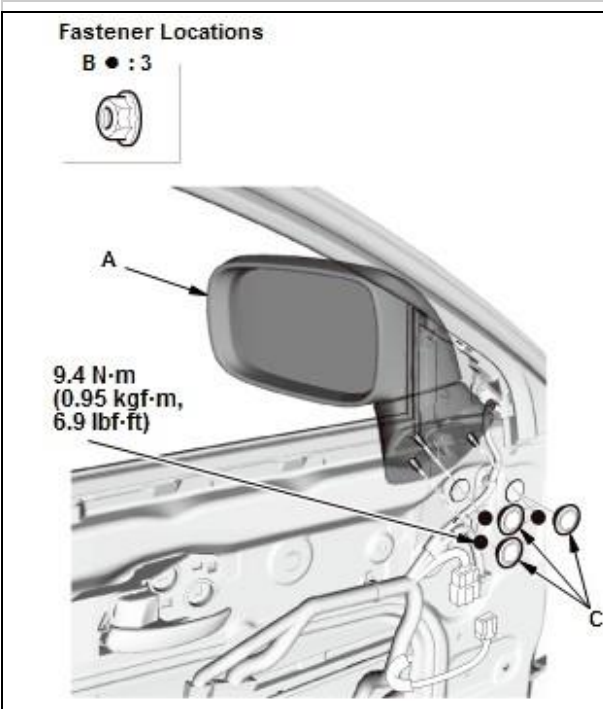
**REMOVAL & INSTALLATION > POWER MIRROR REMOVAL AND INSTALLATION
(2013-18) > INSTALLATION**

1. Power Mirror - Install



1. Install the power mirror (A).

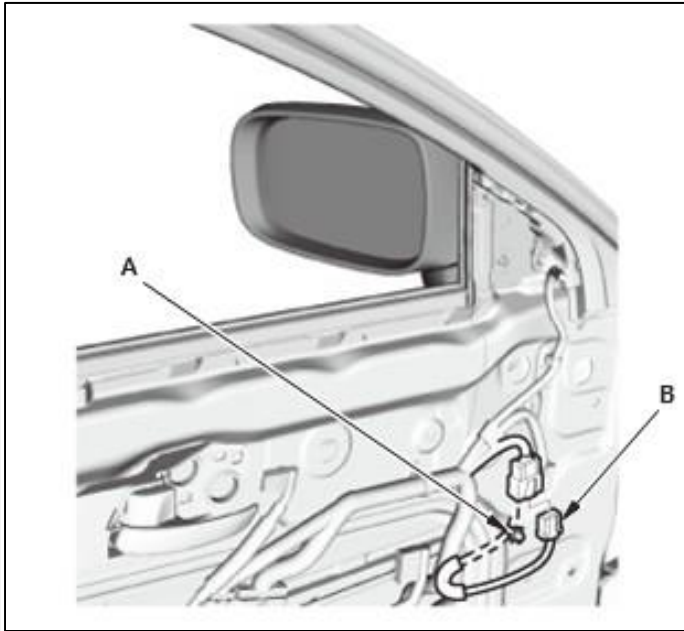
Courtesy of HONDA, U.S.A., INC.



2. While holding the power mirror (A), install the nuts (B)
3. Install the plug caps (C).

Courtesy of HONDA, U.S.A., INC.

4. Install the harness clip (A)
5. Connect the power mirror connector (B).



Courtesy of HONDA, U.S.A., INC.

2. Front Door Panel - Install

1. Install the front door panel - Refer to: Front Door Panel Removal and Installation (2013-18), or Front Door Panel Removal and Installation(With BSI Alert Indicator) (2016-18) .

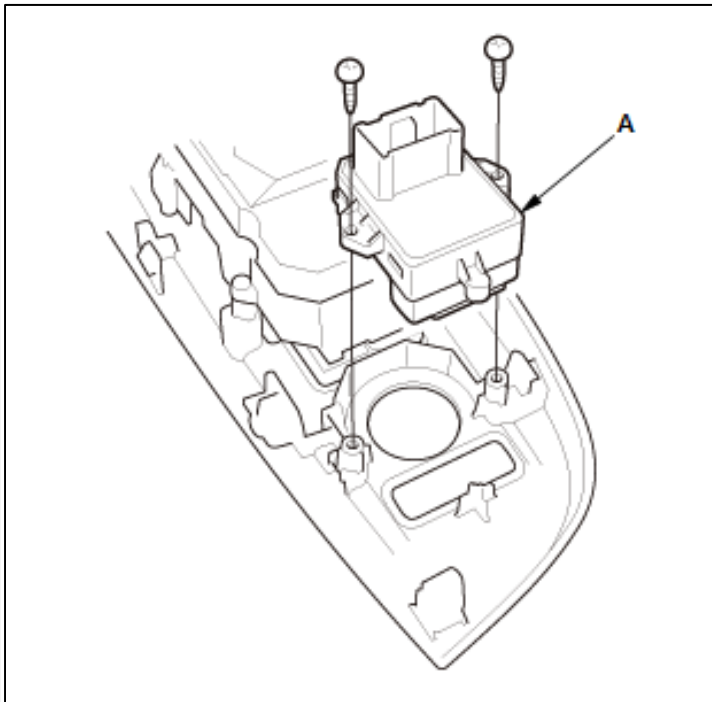
REMOVAL & INSTALLATION > POWER MIRROR SWITCH REMOVAL AND INSTALLATION (2013-18) > REMOVAL

1. Front Door Switch Panel - Remove

1. Remove the driver's door switch panel - Refer to: Front Door Panel Removal and Installation (2013-18), or Front Door Panel Removal and Installation(With BSI Alert Indicator) (2016-18) .

2. Power Mirror Switch - Remove

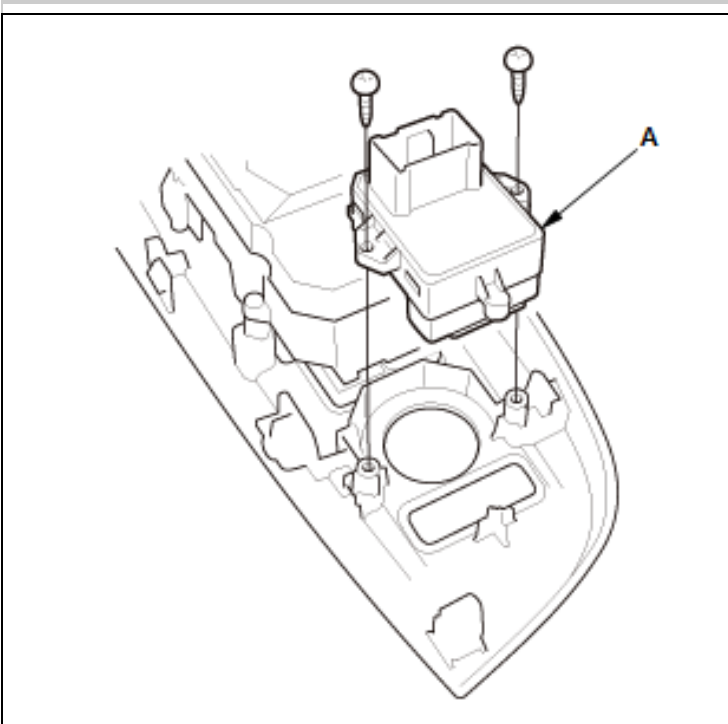
1. Remove the power mirror switch (A).



Courtesy of HONDA, U.S.A., INC.

REMOVAL & INSTALLATION > POWER MIRROR SWITCH REMOVAL AND INSTALLATION (2013-18) > INSTALLATION

1. Power Mirror Switch - Install



Courtesy of HONDA, U.S.A., INC.

1. Install the power mirror switch (A).

2. Front Door Switch Panel - Install

1. Install the driver's door switch panel- Refer to: Front Door Panel Removal and Installation (2013-18), or Front Door Panel Removal and Installation(With BSI Alert Indicator) (2016-18).

