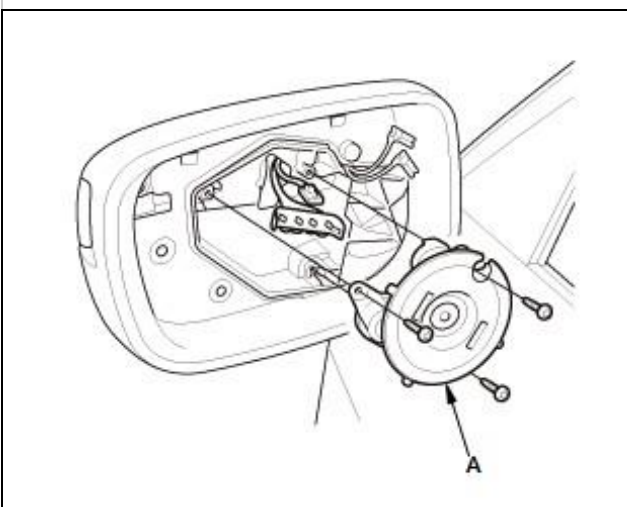


REMOVAL & INSTALLATION > POWER MIRROR ACTUATOR REMOVAL AND INSTALLATION (2013-18) > REMOVAL

1. Mirror Holder - Remove

1. Remove the mirror holder - Refer to: Mirror Holder Removal and Installation (2013-18), or Mirror Holder Removal and Installation(With Automatic Dimming Mirror) (2016-18) .

2. Power Mirror Actuator - Remove



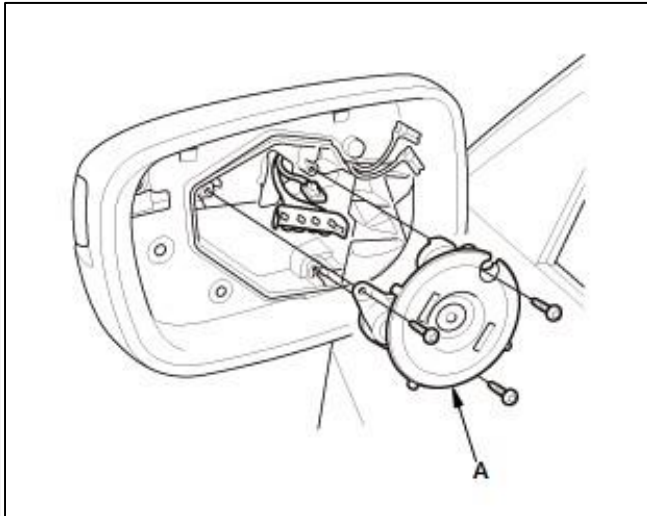
1. Remove the power mirror actuator (A)
2. Disconnect the power mirror actuator connectors.

Courtesy of HONDA, U.S.A., INC.

REMOVAL & INSTALLATION > POWER MIRROR ACTUATOR REMOVAL AND INSTALLATION (2013-18) > INSTALLATION

1. Power Mirror Actuator - Install

1. Connect the power mirror actuator connectors
2. Install the power mirror actuator (A).



Courtesy of HONDA, U.S.A., INC.

2. Mirror Holder - Install

1. Install the mirror holder - Refer to: Mirror Holder Removal and Installation (2013-18), or Mirror Holder Removal and Installation(With Automatic Dimming Mirror) (2016-18) .

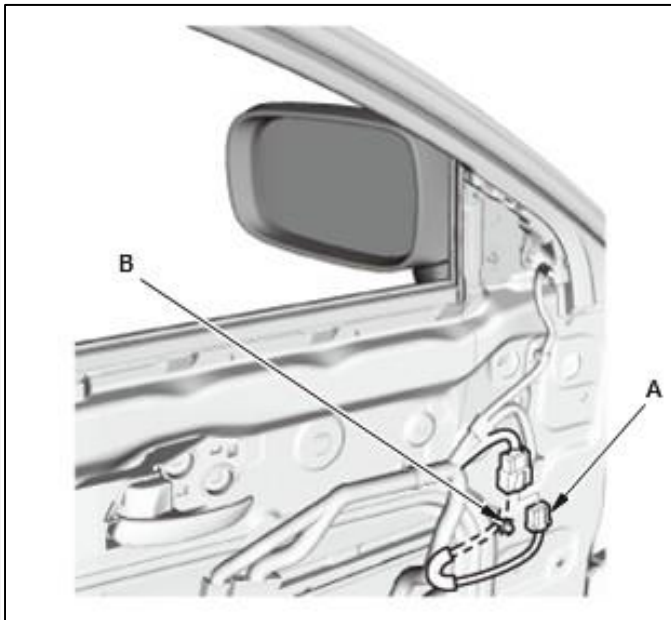
REMOVAL & INSTALLATION > POWER MIRROR REMOVAL AND INSTALLATION (2013-18) > REMOVAL

1. Front Door Panel - Remove

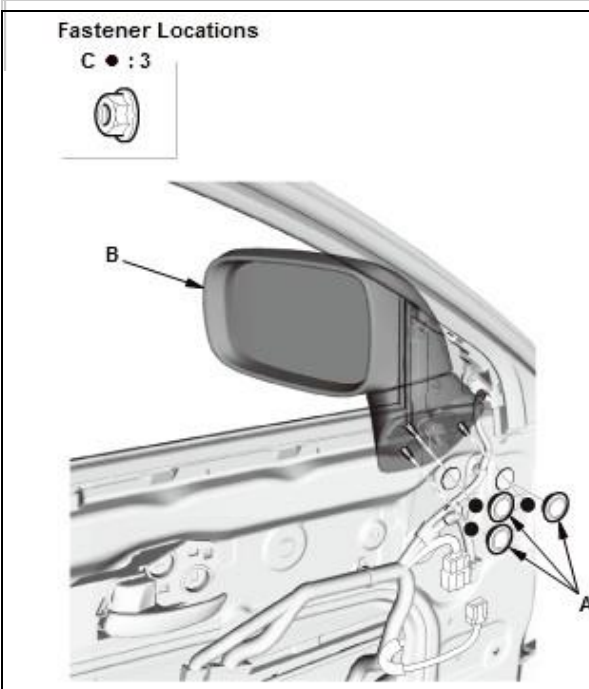
1. Remove the front door panel - Refer to: Front Door Panel Removal and Installation (2013-18), or Front Door Panel Removal and Installation(With BSI Alert Indicator) (2016-18) .

2. Power Mirror - Remove

1. Disconnect the power mirror connector (A)
2. Remove the harness clip (B).



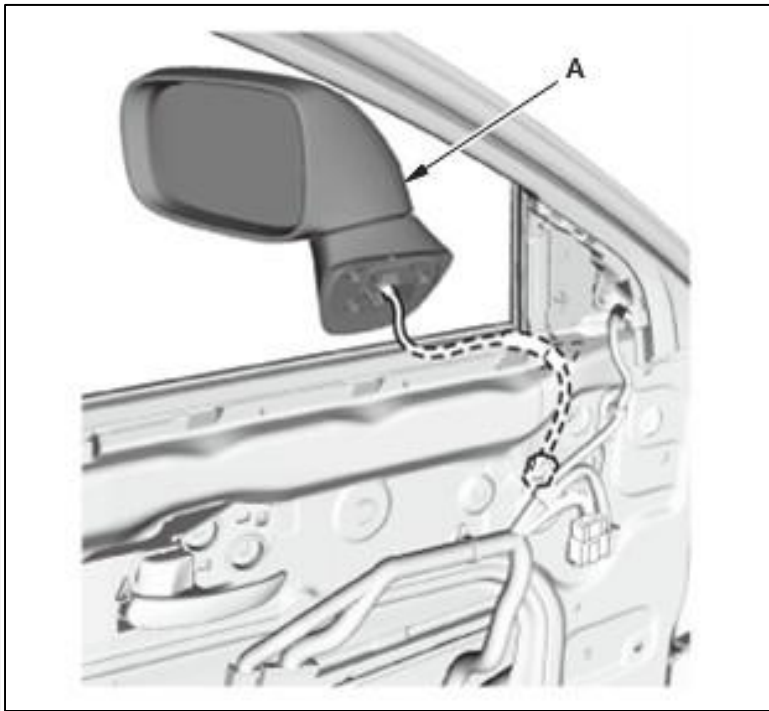
Courtesy of HONDA, U.S.A., INC.



Courtesy of HONDA, U.S.A., INC.

3. Remove the plug caps (A)
4. While holding the power mirror (B), remove the nuts (C).

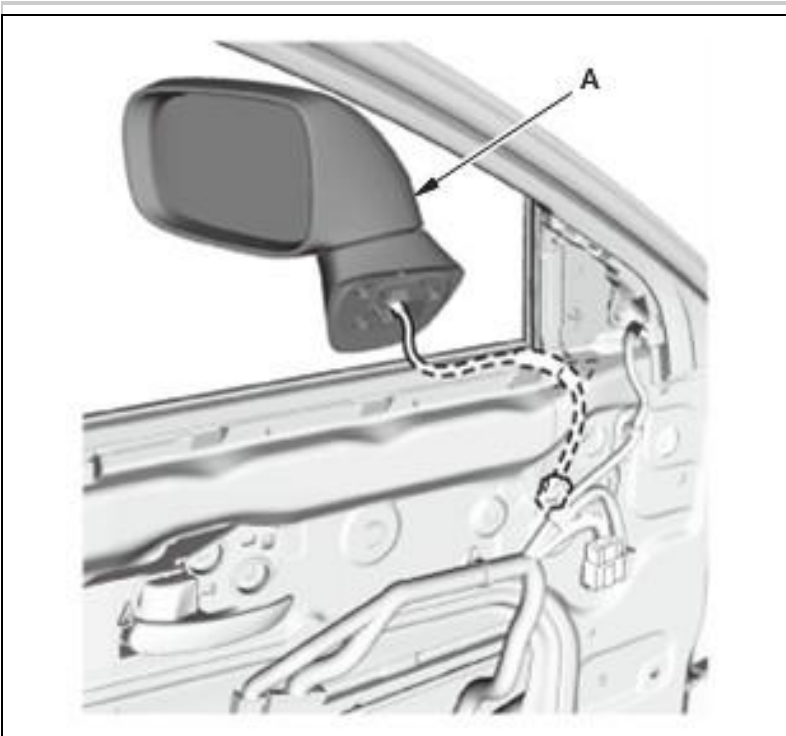
5. Remove the power mirror (A).



Courtesy of HONDA, U.S.A., INC.

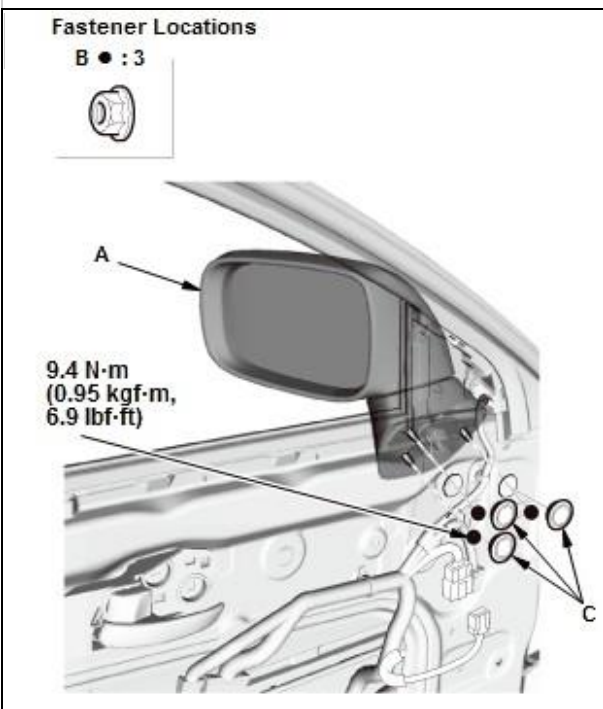
REMOVAL & INSTALLATION > POWER MIRROR REMOVAL AND INSTALLATION (2013-18) > INSTALLATION

1. Power Mirror - Install



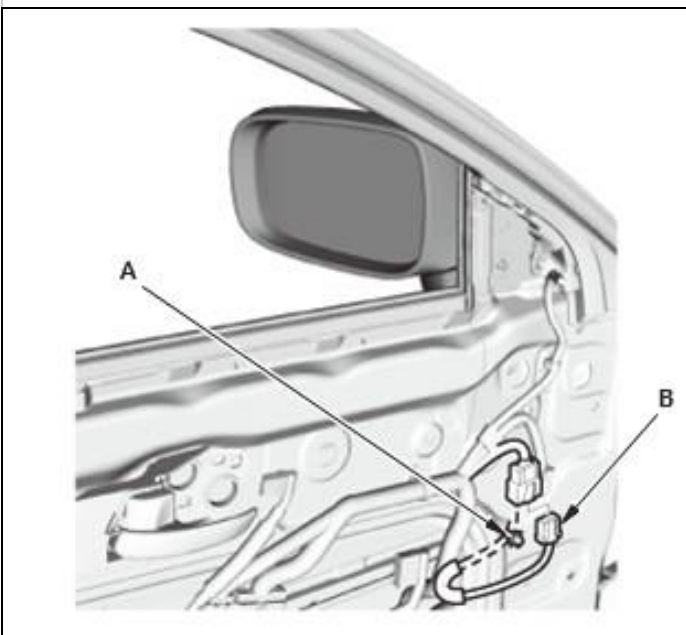
Courtesy of HONDA, U.S.A., INC.

1. Install the power mirror (A).



Courtesy of HONDA, U.S.A., INC.

2. While holding the power mirror (A), install the nuts (B)
3. Install the plug caps (C).



Courtesy of HONDA, U.S.A., INC.

4. Install the harness clip (A)
5. Connect the power mirror connector (B).

2. Front Door Panel - Install

1. Install the front door panel - Refer to: Front Door Panel Removal and Installation (2013-18), or Front Door Panel Removal and Installation(With BSI Alert Indicator) (2016-18) .

