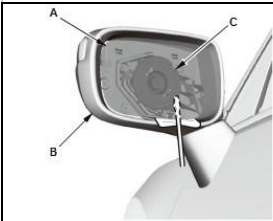


REMOVAL & INSTALLATION > MIRROR HOLDER REMOVAL AND INSTALLATION (2013-18) > REMOVAL

1. Mirror Holder - Remove



Courtesy of HONDA, U.S.A., INC.

1. Carefully push on the top edge of the mirror holder (A) by hand
2. Put a shop towel in the opening between the bottom edge of the mirror holder and the mirror housing (B) to prevent scratches
3. Insert a flat-tip screwdriver under the mirror holder, and quickly twist the screwdriver to separate the mirror holder from the actuator (C)
4. Insert a flat-tip screwdriver further into the mirror holder and twist it again.

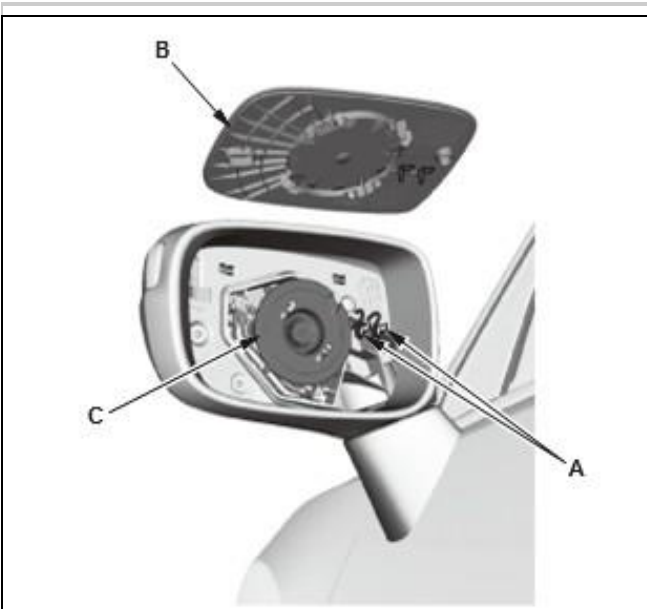
NOTE: *Do not pry up on the mirror holder to separate the two parts, as this can cause either the mirror glass or actuator to break.*

5. Separate the mirror holder (A) from the actuator (B)
6. Disconnect the mirror defogger connectors (C).

Courtesy of HONDA, U.S.A., INC.

REMOVAL & INSTALLATION > MIRROR HOLDER REMOVAL AND INSTALLATION (2013-18) > INSTALLATION

1. Mirror Holder - Install



1. Connect the mirror defogger connectors (A)
2. Install the mirror holder (B) to the actuator (C)
3. Check the actuator operation.

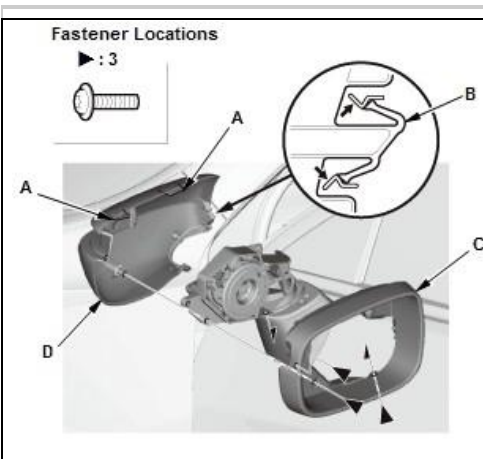
Courtesy of HONDA, U.S.A., INC.

REMOVAL & INSTALLATION > MIRROR HOUSING COVER REMOVAL AND INSTALLATION (2013-18) > REMOVAL

1. Side Turn Signal Light - Remove

1. Remove the side turn signal light .

2. Mirror Housing - Remove



1. Release the hooks (A, B), then remove the visor (C) and the mirror housing (D).

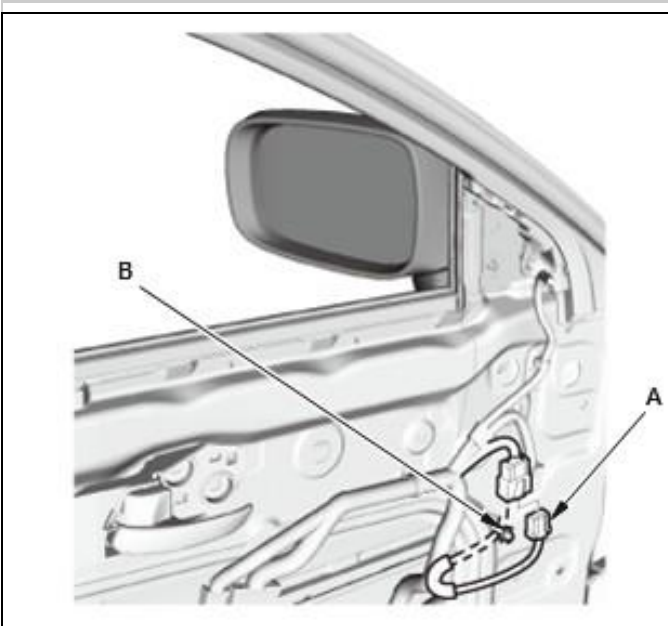
Courtesy of HONDA, U.S.A., INC.

REMOVAL & INSTALLATION > POWER MIRROR REMOVAL AND INSTALLATION (2013-18) > REMOVAL

1. Front Door Panel - Remove

1. Remove the front door panel - Refer to: Front Door Panel Removal and Installation (2013-18), or Front Door Panel Removal and Installation(With BSI Alert Indicator) (2016-18) .

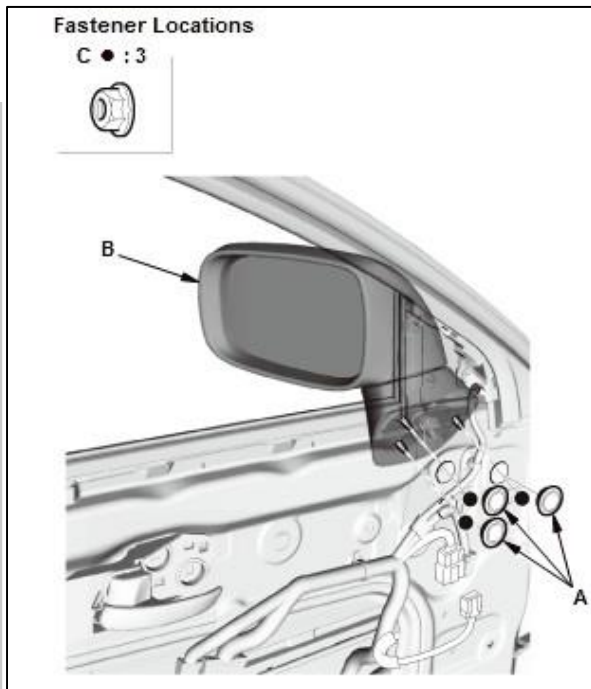
2. Power Mirror - Remove



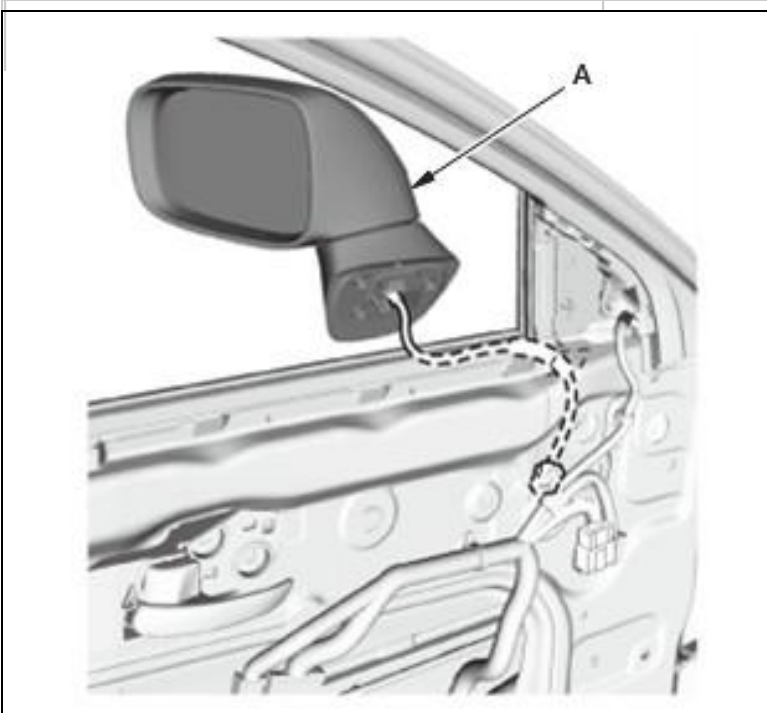
1. Disconnect the power mirror connector (A)
2. Remove the harness clip (B).

Courtesy of HONDA, U.S.A., INC.

3. Remove the plug caps (A)
4. While holding the power mirror (B), remove the nuts (C).



Courtesy of HONDA, U.S.A., INC.

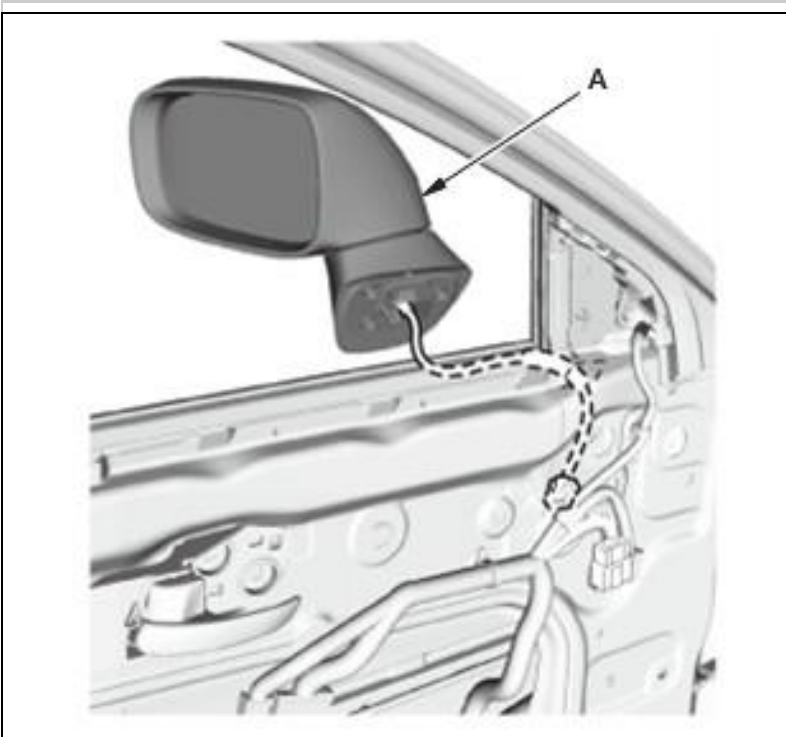


Courtesy of HONDA, U.S.A., INC.

5. Remove the power mirror (A).

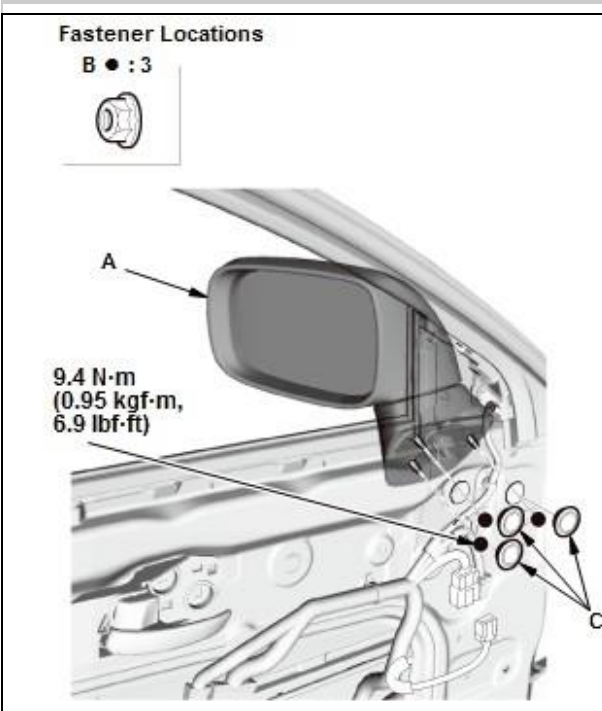
**REMOVAL & INSTALLATION > POWER MIRROR REMOVAL AND INSTALLATION
(2013-18) > INSTALLATION**

1. Power Mirror - Install



1. Install the power mirror (A).

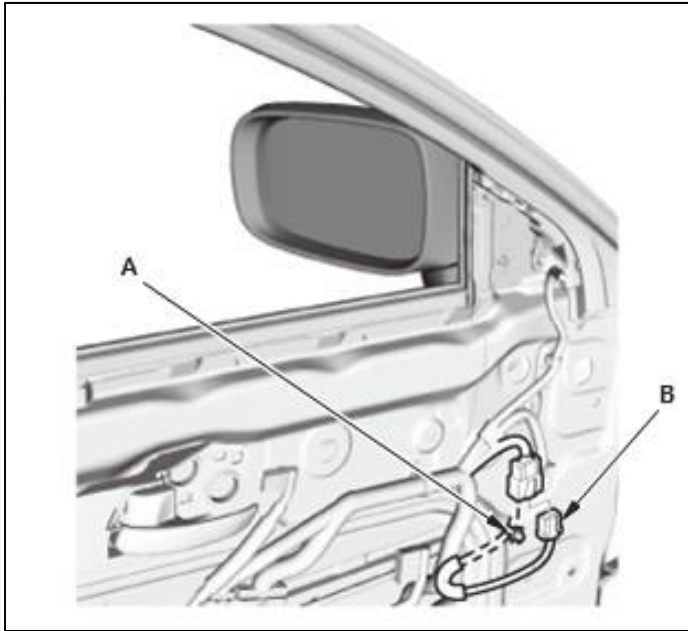
Courtesy of HONDA, U.S.A., INC.



2. While holding the power mirror (A), install the nuts (B)
3. Install the plug caps (C).

Courtesy of HONDA, U.S.A., INC.

4. Install the harness clip (A)
5. Connect the power mirror connector (B).



Courtesy of HONDA, U.S.A., INC.

2. Front Door Panel - Install

1. Install the front door panel - Refer to: Front Door Panel Removal and Installation (2013-18), or Front Door Panel Removal and Installation(With BSI Alert Indicator) (2016-18) .