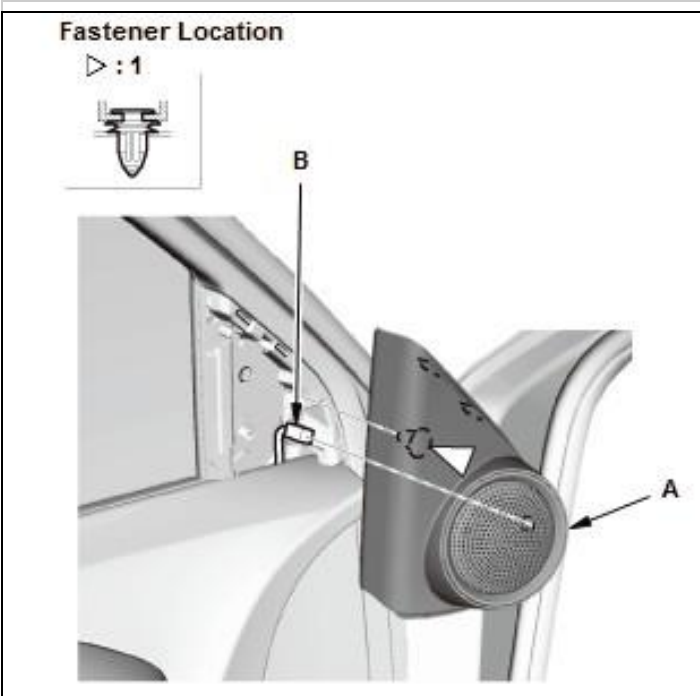


## Front Door Panel Removal And Installation (2013-18)

### Removal

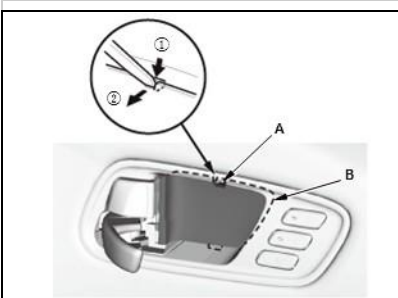
#### 1. Tweeter Cover - Remove



1. Remove the tweeter cover (A)
2. Disconnect the tweeter connector (B).

Courtesy of HONDA, U.S.A., INC.

#### 2. Front Door Panel - Remove



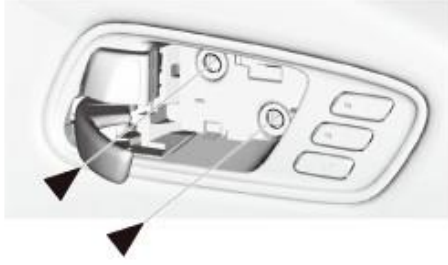
1. Push on the upper hook (A) with the appropriate trim tool, then pull back the inner handle cap (B) to remove it.

Courtesy of HONDA, U.S.A., INC.

2. Remove the screws (A) securing the front door inner handle.

**Fastener Locations**

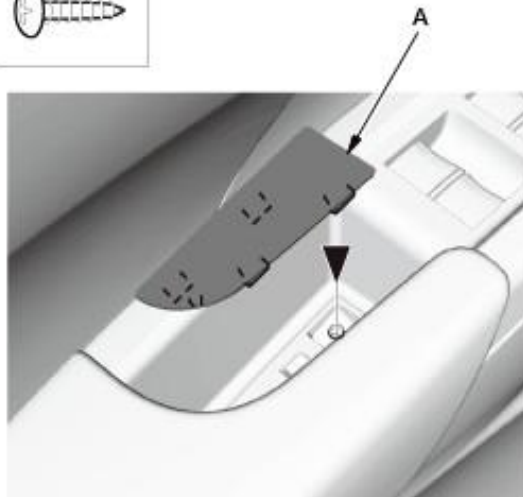
A ▶ : 2



Courtesy of HONDA, U.S.A., INC.

**Fastener Location**

B ▶ : 1

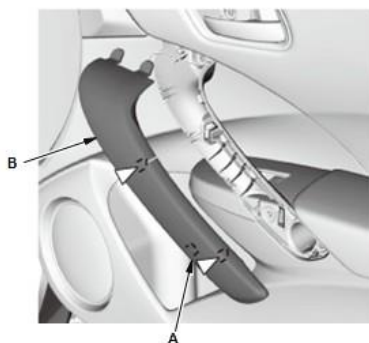


- 3. Driver's door: Remove the pull pocket lid (A)
- 4. Driver's door: Remove the screw (B).

Courtesy of HONDA, U.S.A., INC.

**Fastener Locations**

▶ : 2

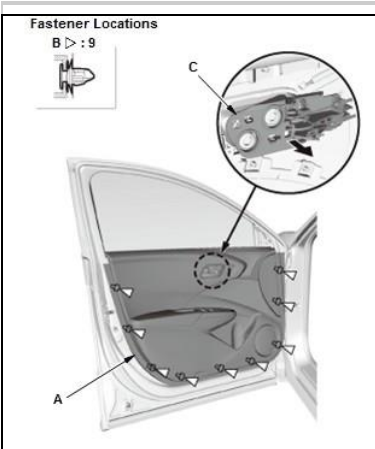


- 5. Passenger's door: Insert a small flat-tip screwdriver into the notch (A), and remove the grip cover (B).



6. Passenger's door: Remove the screws (A).

Courtesy of HONDA, U.S.A., INC.

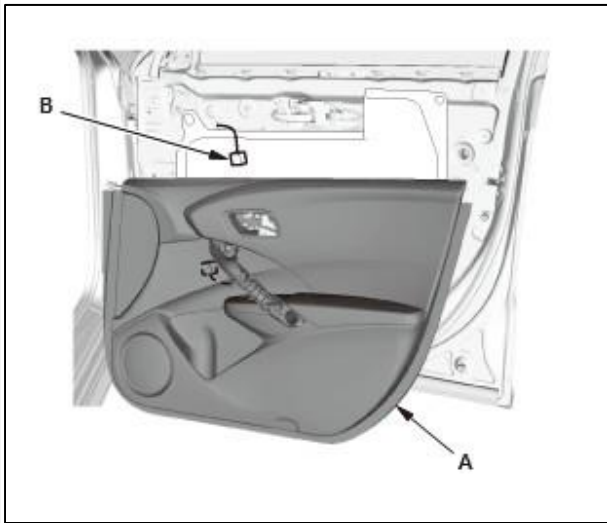
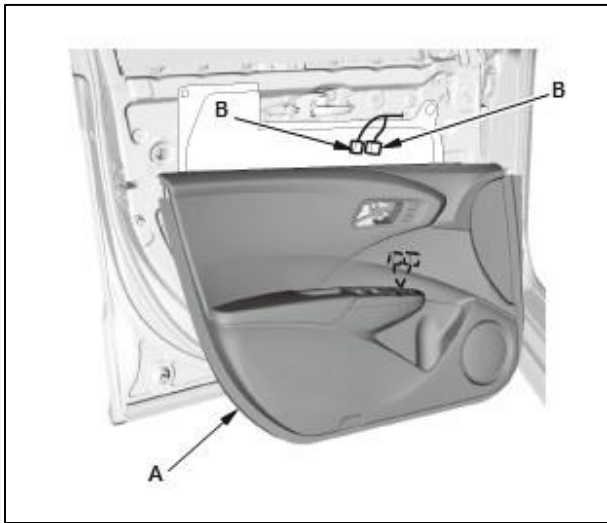


7. Start at the bottom edge of the front door panel (A), remove the clips (B) with a commercially available trim pad remover
8. Starting at the rear, pull the door panel upward
9. Release the inner handle (C) from the inside of the front door panel.

Courtesy of HONDA, U.S.A., INC.

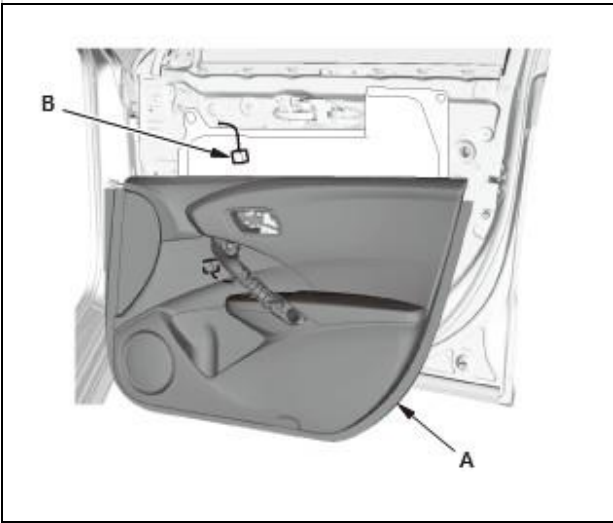
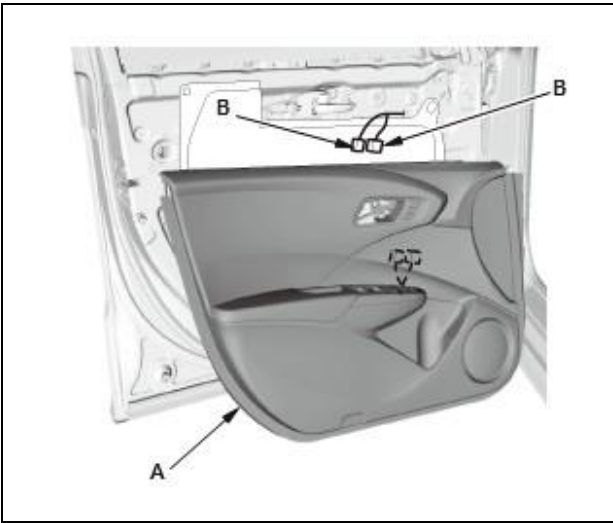
**Driver's door**

10. While holding the front door panel (A) away from the door, disconnect the door subharness connector(s) (B).



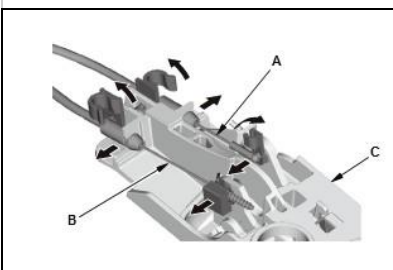
Courtesy of HONDA, U.S.A., INC. HONDA, U.S.A., INC.

### Passenger's door



Courtesy of HONDA, U.S.A., INC.HONDA, U.S.A., INC.

### 3. Front Door Inner handle - Remove

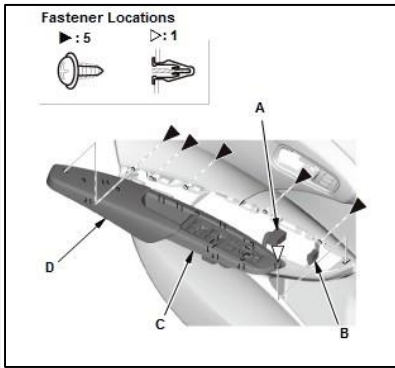


1. Disconnect the inner handle cable (A) and the latch cable (B) from the inner handle (C), then remove the handle.

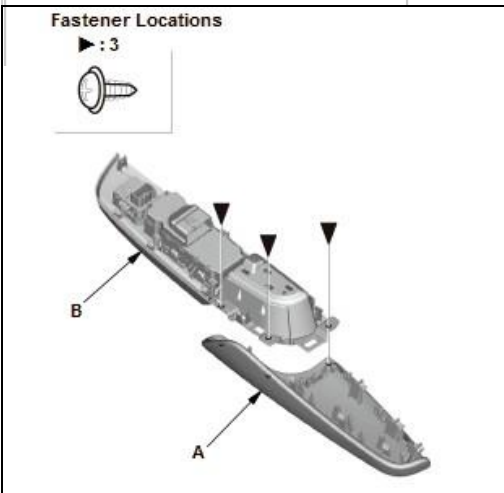
Courtesy of HONDA, U.S.A., INC.

### 4. Front Door Armrest/Power Window Switch Panel (Driver's Side) - Remove

1. Disconnect the power window switch connector (A) and the power mirror switch connector (B)  
 2. Remove the power window switch panel (C) and the front door armrest (D) as an assembly from the door panel.



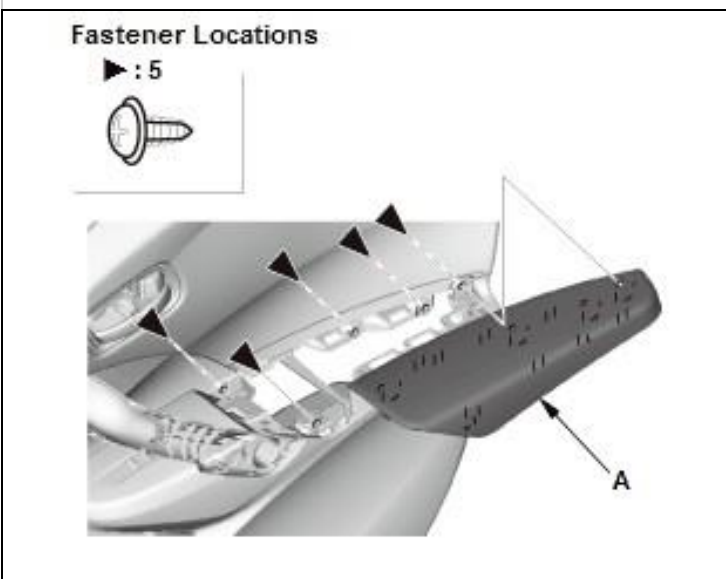
Courtesy of HONDA, U.S.A., INC.



Courtesy of HONDA, U.S.A., INC.

3. Remove the front door armrest (A) from the power window switch panel (B).

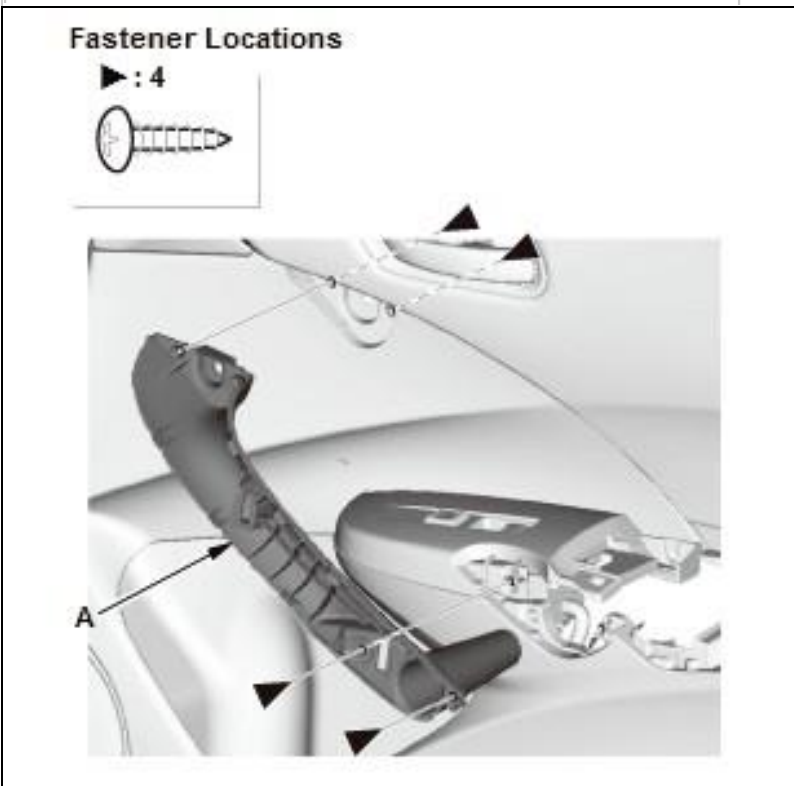
### 5. Front Door Armrest (Passenger's Side) - Remove



Courtesy of HONDA, U.S.A., INC.

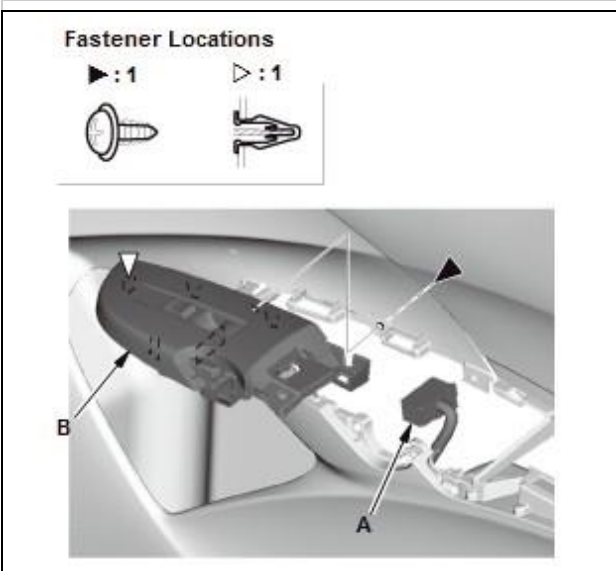
1. Remove the front door armrest (A).

## 6. Power Window Switch Panel (Passenger's Side) - Remove



Courtesy of HONDA, U.S.A., INC.

1. Remove the grip base (A).



Courtesy of HONDA, U.S.A., INC.

2. Disconnect the power window switch connector (A)  
3. Remove the power window switch panel (B).

## 7. Front Door Inner Weatherstrip - Remove

1. Remove the front door inner weatherstrip



(A).

Courtesy of HONDA, U.S.A., INC.

## Installation

**NOTE:** *If you replace the power window master switch or the front passenger's power window switch, reset the power window control unit .*

### 1. Front Door Inner Weatherstrip - Install



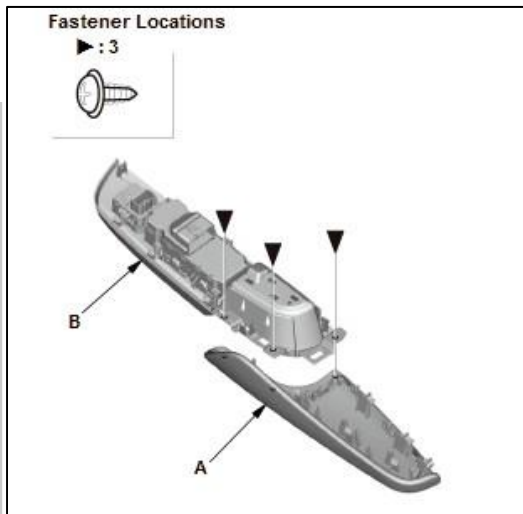
Courtesy of HONDA, U.S.A., INC.

1. Install the front door inner weatherstrip (A).

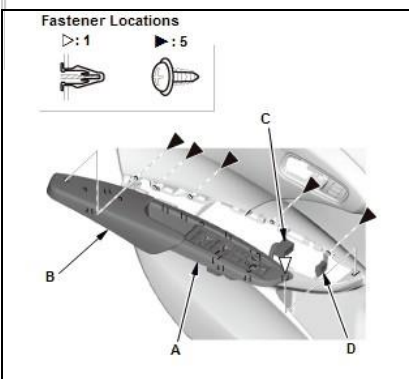
### 2. Front Door Armrest/Power Window Switch Panel (Driver's Side) - Install

1. Install the front door armrest (A) to the power window switch panel (B).





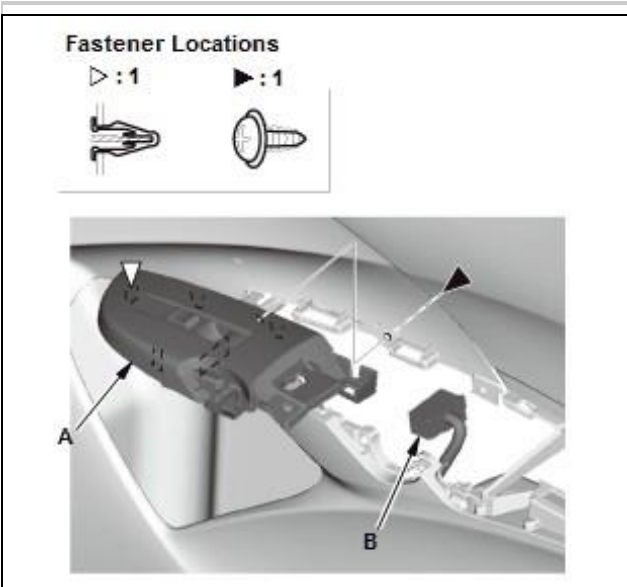
Courtesy of HONDA, U.S.A., INC.



2. Install the power window switch panel (A) and the front door armrest (B) as an assembly to the door panel
3. Connect the power window switch connector (C) and the power mirror switch connector (D).

Courtesy of HONDA, U.S.A., INC.

### 3. Power Window Switch Panel (Passenger's Side) - Install

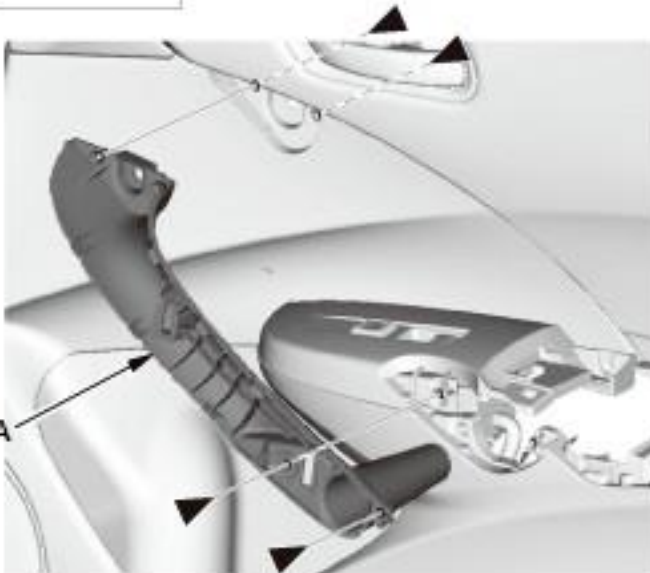


1. Install the power window switch panel (A)
2. Connect the power window switch connector (B).

Courtesy of HONDA, U.S.A., INC.

### Fastener Locations

▶ : 4



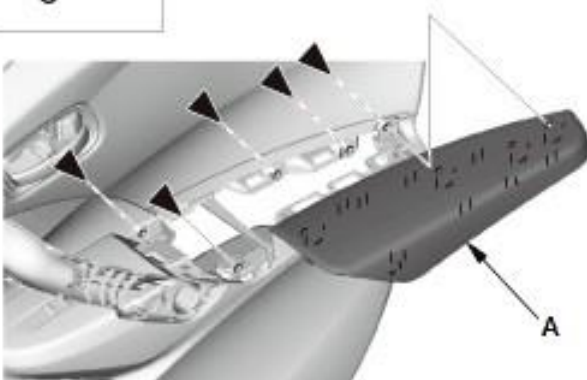
3. Install the grip base (A).

Courtesy of HONDA, U.S.A., INC.

### 4. Front Door Armrest (Passenger's Side) - Install

### Fastener Locations

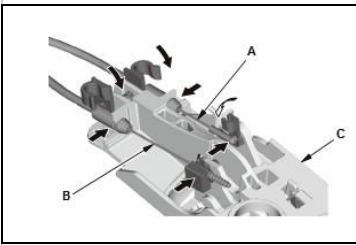
▶ : 5



1. Install the front door armrest (A).

Courtesy of HONDA, U.S.A., INC.

## 5. Front Door Inner handle - Install



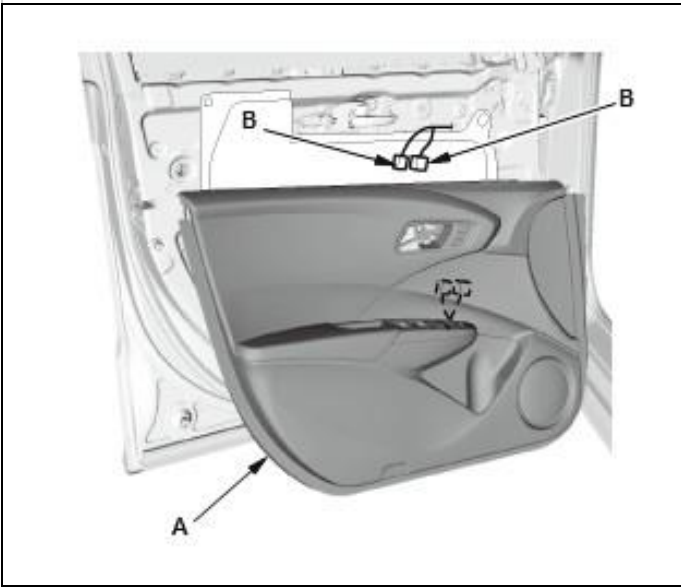
Courtesy of HONDA, U.S.A., INC.

1. Connect the inner handle cable (A) and the latch cable (B) to the inner handle (C), and install the handle.

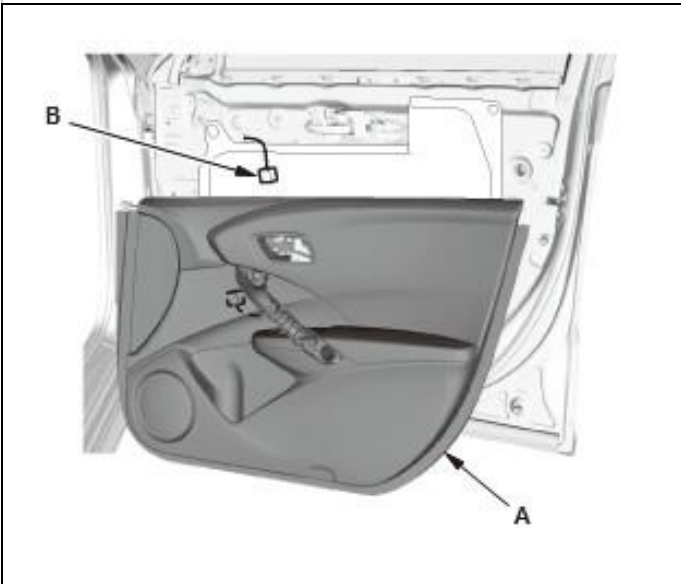
**NOTE:** *If the latch cable and the inner handle cable are damaged or stress-whitened, replace them with new ones.*

## 6. Front Door Panel - Install

### Driver's door

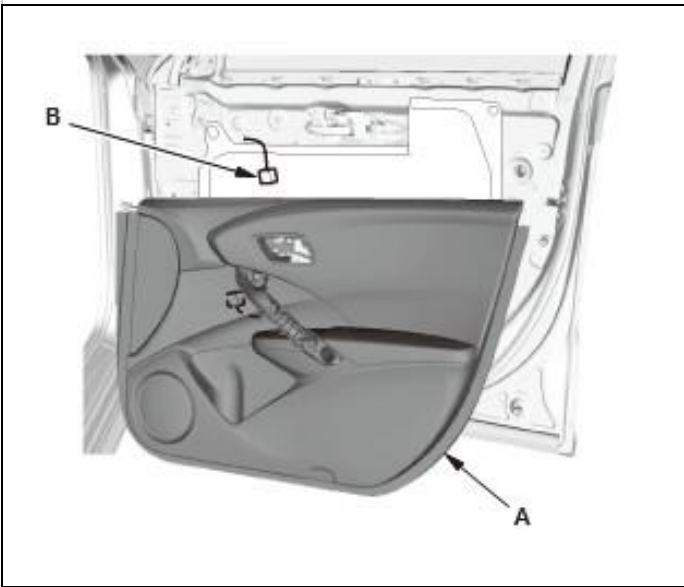
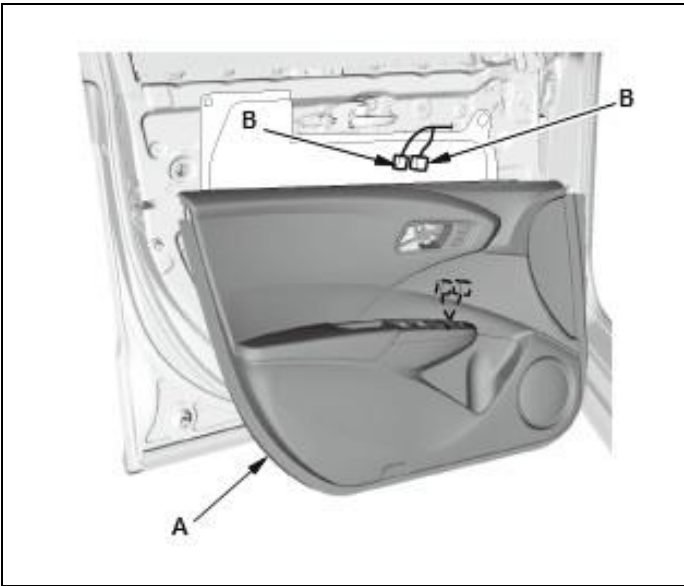


1. While holding the front door panel (A), connect the door subharness connector(s) (B).



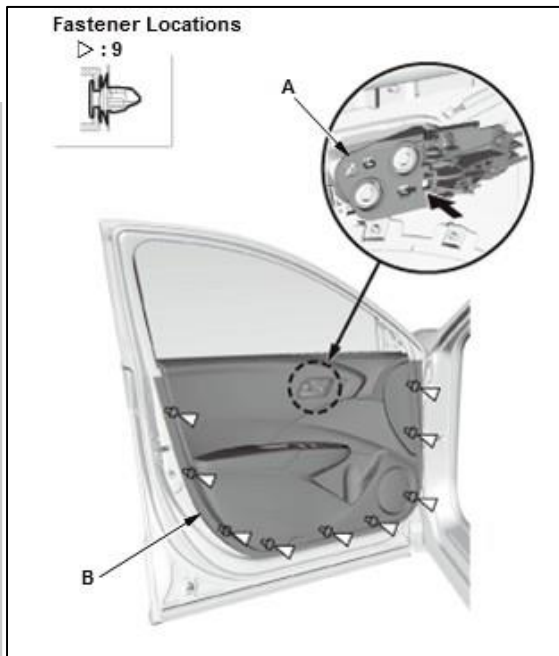
Courtesy of HONDA, U.S.A., INC. HONDA, U.S.A., INC.

### Passenger's door

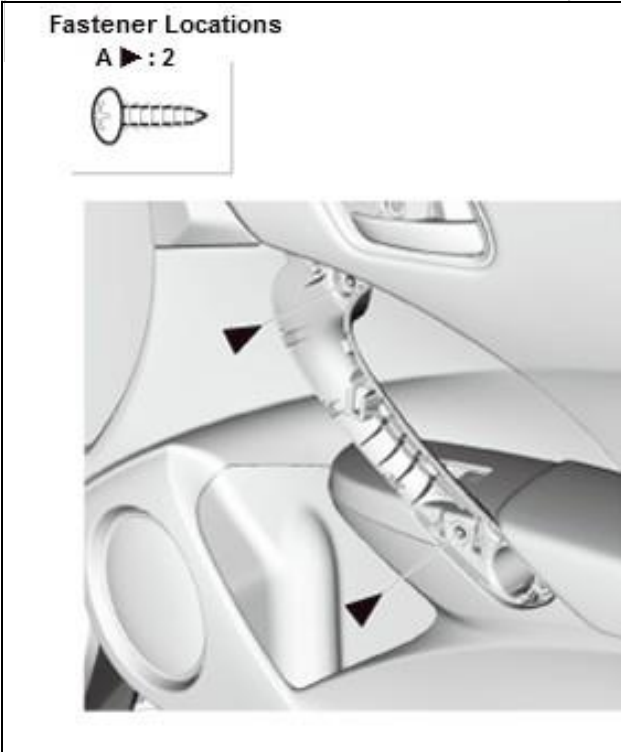


Courtesy of HONDA, U.S.A., INC.HONDA, U.S.A., INC.

2. Set the inner handle (A) to the inside of the front door panel (B)
3. Install the front door panel.



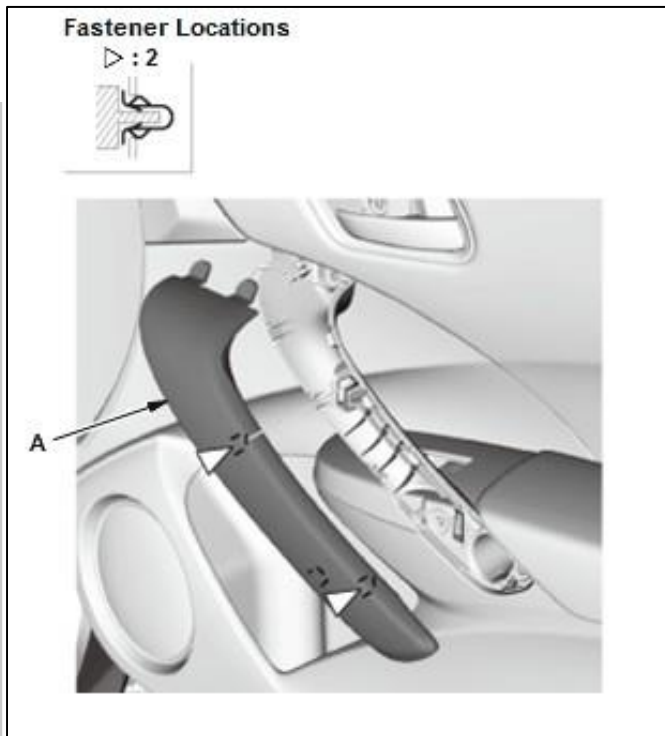
Courtesy of HONDA, U.S.A., INC.



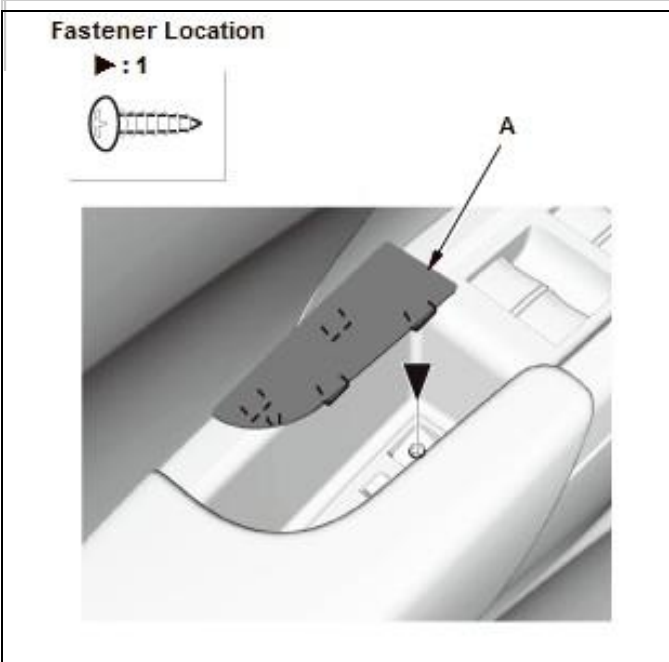
Courtesy of HONDA, U.S.A., INC.

4. Passenger's door: Install the screws (A).

5. Passenger's door: Install the grip cover (A).



Courtesy of HONDA, U.S.A., INC.



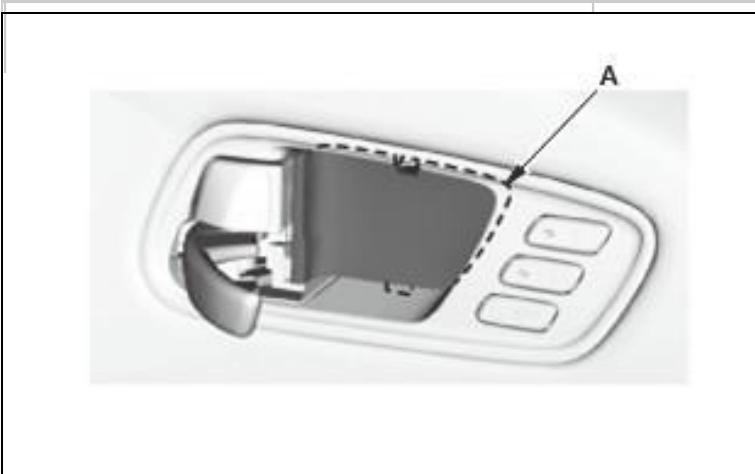
Courtesy of HONDA, U.S.A., INC.

6. Driver's door: Install the pull pocket lid (A).

7. Install the screws (A) securing the front door inner handle.



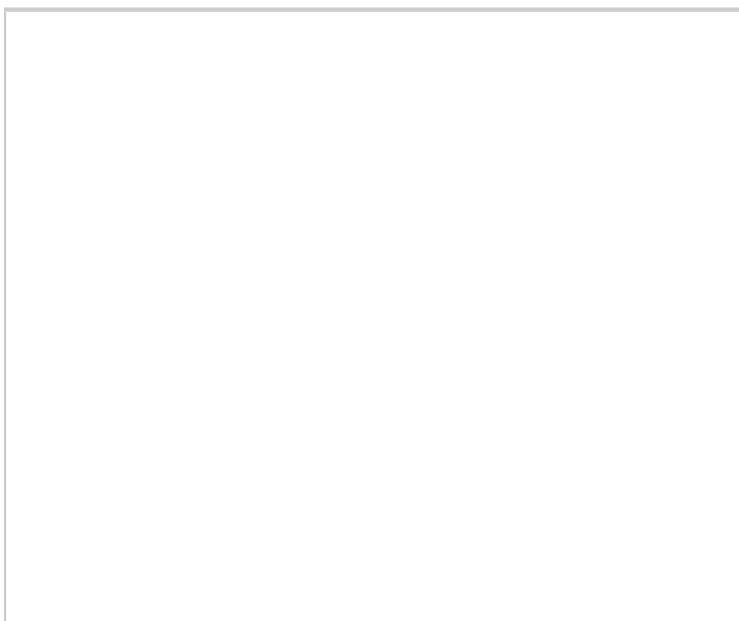
Courtesy of HONDA, U.S.A., INC.



Courtesy of HONDA, U.S.A., INC.

8. Install the inner handle cap (A).

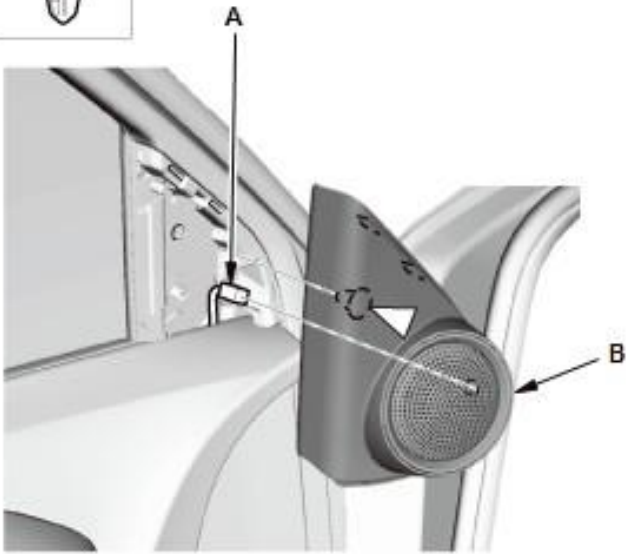
### 7. Tweeter Cover - Install



1. Connect the tweeter connector (A)
2. Install the tweeter cover (B).

**Fastener Location**

▷ : 1



Courtesy of HONDA, U.S.A., INC.