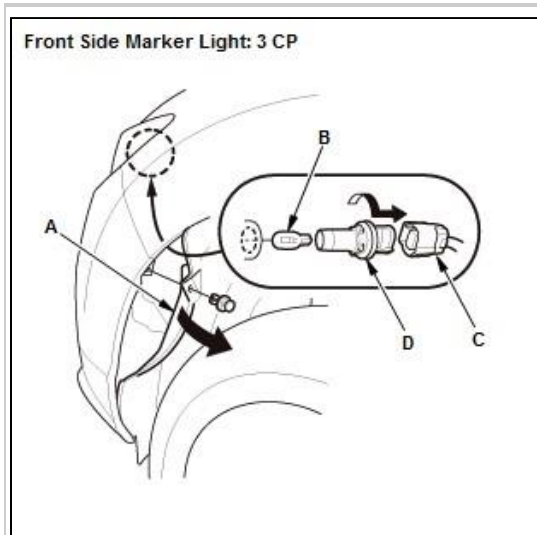


**REMOVAL & INSTALLATION > EXTERIOR LIGHTS BULB REMOVAL AND
INSTALLATION (2016-18) > REMOVAL_INSTALLATION**

Front Side Marker Light

1. Front Side Marker Light Bulb - Remove



Courtesy of HONDA, U.S.A., INC.

1. Turn the front wheel inward on the headlight side being removed
2. Pull back the front inner fender (A) as needed to access the bulb (B)
3. Disconnect the front side marker light connector (C)
4. Turn the bulb socket (D) counterclockwise to remove the bulb.

2. All Removed Parts - Install

1. Install the parts in the reverse order of removal.

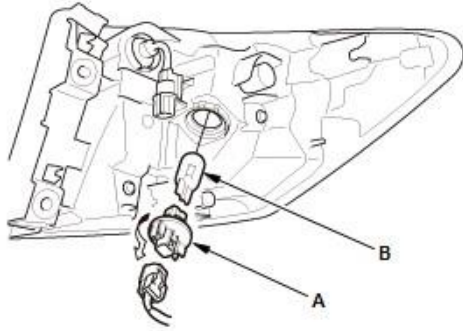
Rear Turn Signal Light

3. Taillight - Remove

4. Rear Turn Signal Light Bulb - Remove

Turn the bulb socket (A) counterclockwise to remove the bulb (B).

Rear Turn Signal Light: 21 W



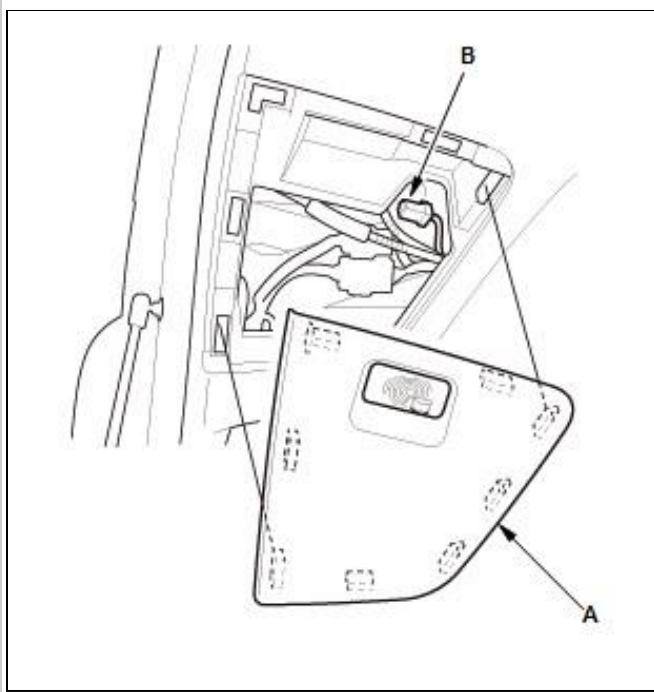
Courtesy of HONDA, U.S.A., INC.

5. All Removed Parts - Install

1. Install the parts in the reverse order of removal.

Back-Up Light

6. Tailgate Maintenance Side Lid - Remove

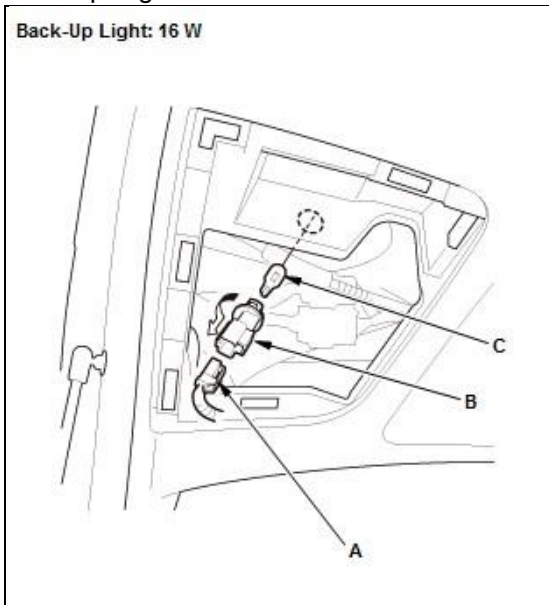


1. Remove the tailgate maintenance side lid (A)
2. Disconnect the tailgate light connector (B).

Courtesy of HONDA, U.S.A., INC.

7. Back-Up Light Bulb - Remove

Back-Up Light: 16 W



2. Turn the bulb socket (B) counterclockwise to remove the bulb (C).

Courtesy of HONDA, U.S.A., INC.

1. Disconnect the back-up light connector (A)

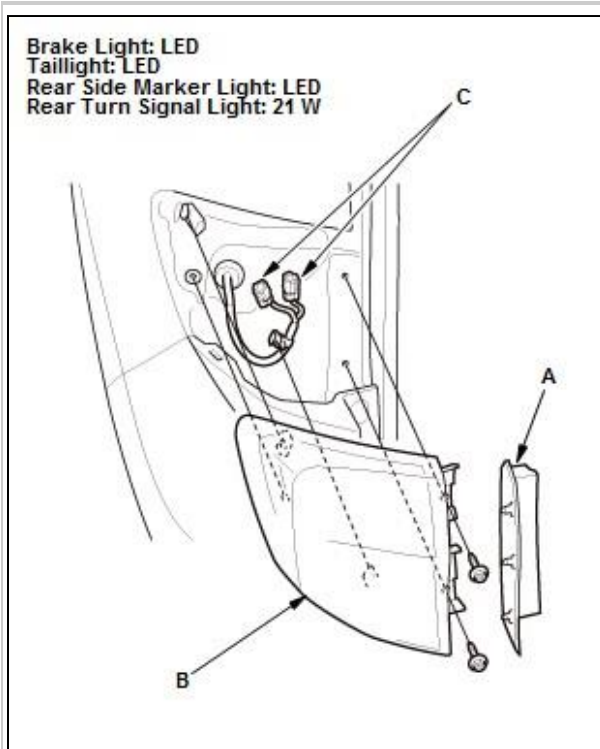
Courtesy of HONDA, U.S.A., INC.

8. All Removed Parts - Install

1. Install the parts in the reverse order of removal.

REMOVAL & INSTALLATION > TAILLIGHT REMOVAL AND INSTALLATION (2016-18) > REMOVAL_INSTALLATION

1. Taillight - Remove



1. Remove the cover (A)
2. Remove the taillight (B)
3. Disconnect these connectors (C):
 1. Brake light/taillight/rear side marker light connector
 2. Rear turn signal light connector

2. All Removed Parts - Install

1. Install the parts in the reverse order of removal.