

YMMS: 2018 Acura RDX Base

Engine: 3.5L Eng

Front Seat Removal And Installation (2013-18)

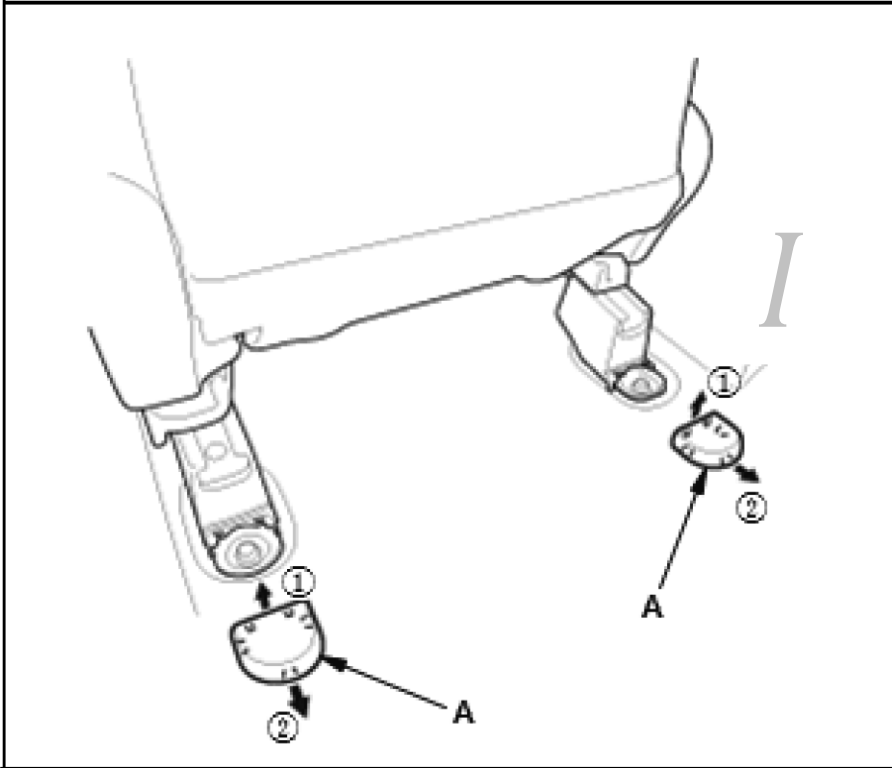
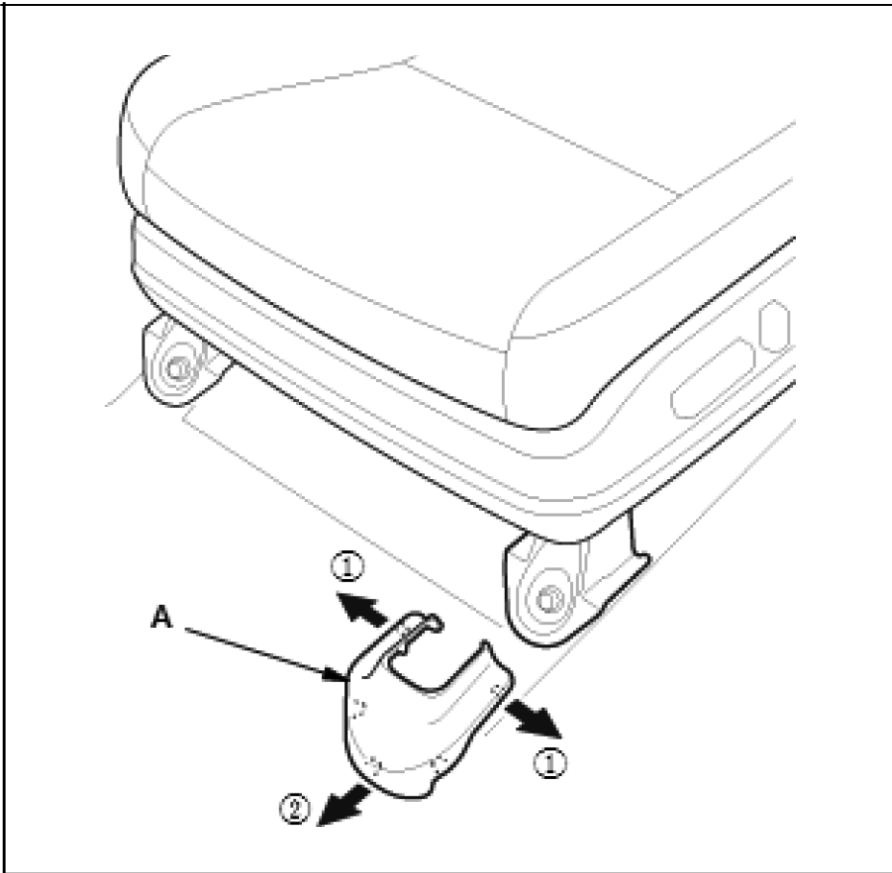
Removal

SRS components are located in this area. Review the SRS component locations - Refer to: SRS Component Location Index (2013-18), or SRS Component Location Index (2013-18) and the precautions and procedures - Refer to: SRS Precautions and Procedures (2013-15), or SRS Precautions and Procedures (2016-18) before doing repairs or service.

1. Both Front Seat Track End Covers - Remove

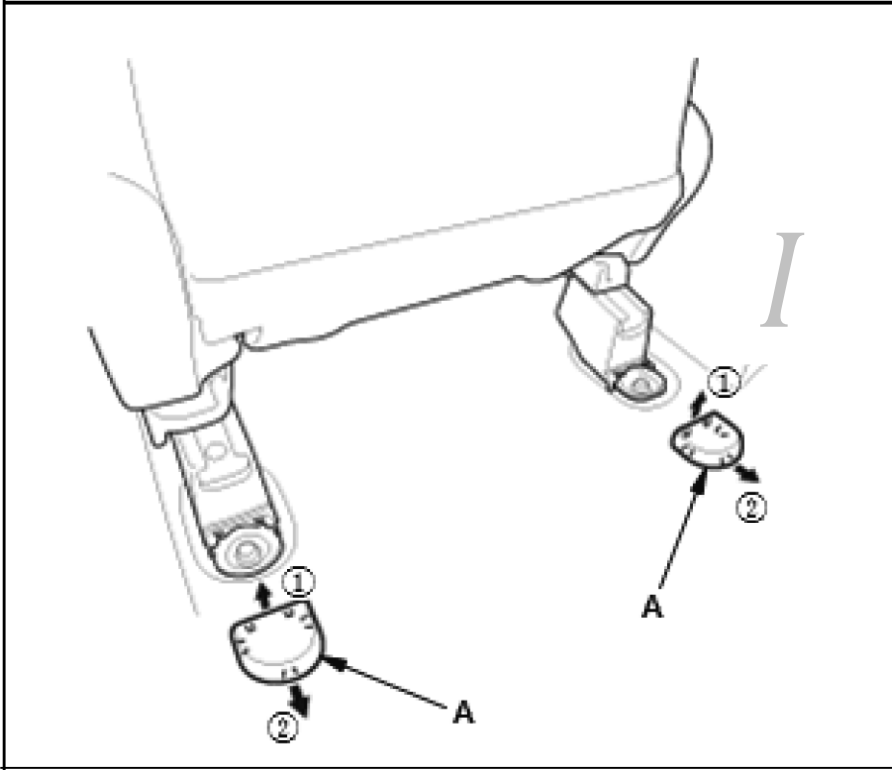
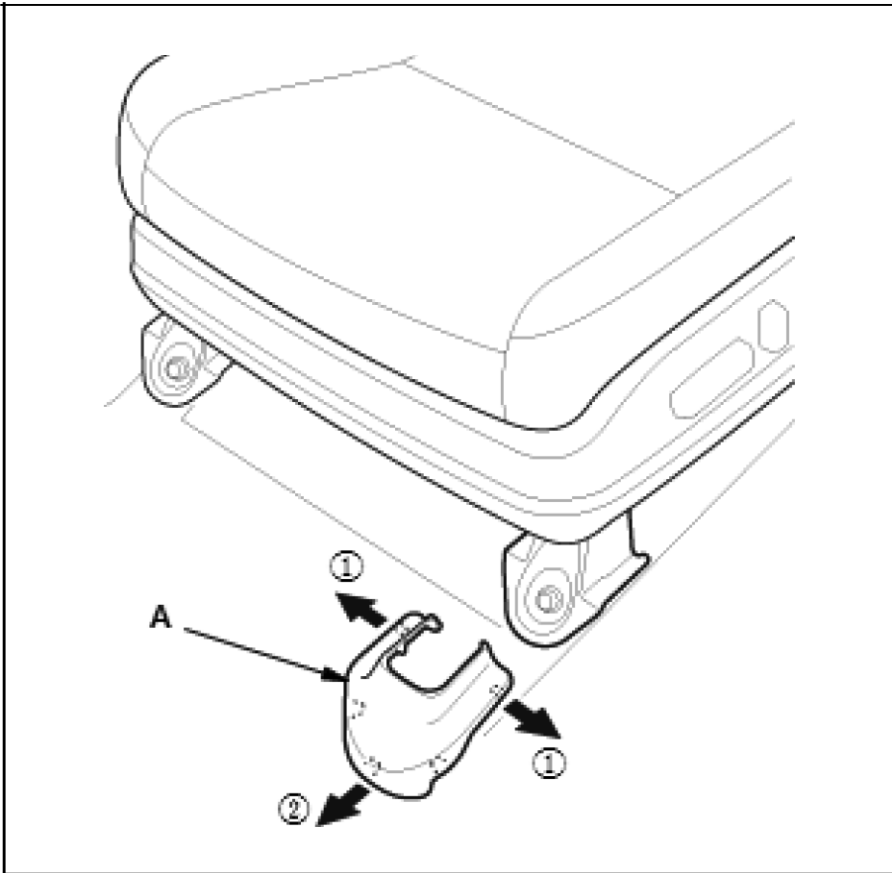
Front side

1. Remove both seat track end covers (A).



Courtesy of HONDA, U.S.A., INC.HONDA, U.S.A., INC.

Rear side

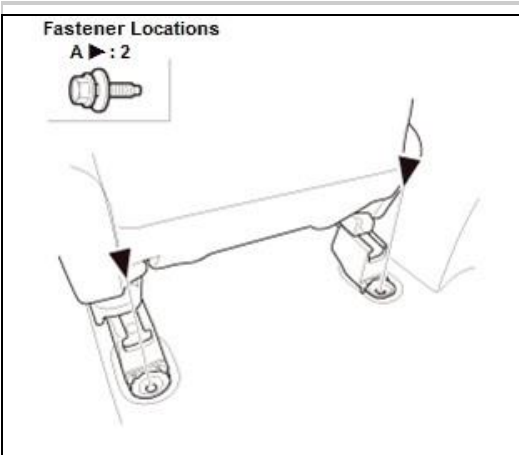


Courtesy of HONDA, U.S.A., INC. HONDA, U.S.A., INC.

2. Front Seat Belt Lower Anchor Bolt - Remove

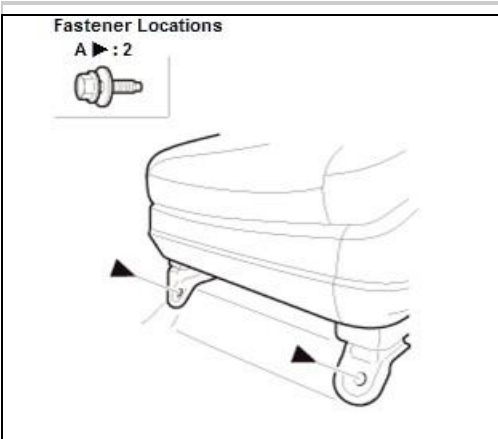
- 1. Remove the front seat belt lower anchor bolt- Refer to: Front Seat Belt Removal and Installation

3. Front Seat Mounting Bolts - Remove



1. Remove the seat mounting bolts (A) from the rear side of the front seat.

Courtesy of HONDA, U.S.A., INC.



2. Slide the front seat all the way back, and remove the seat mounting bolts (A).

Courtesy of HONDA, U.S.A., INC.

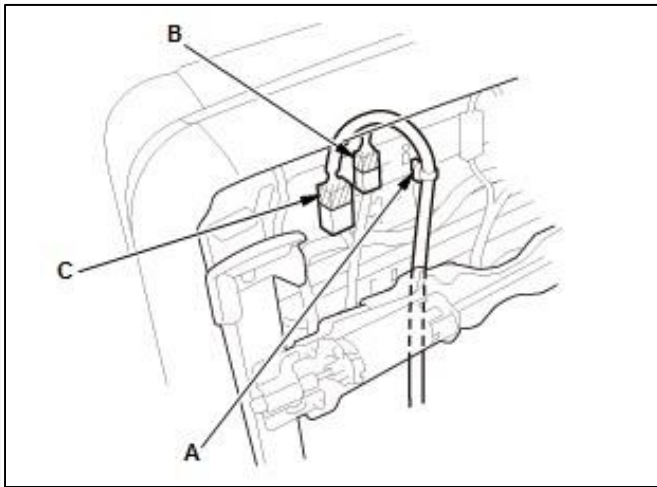
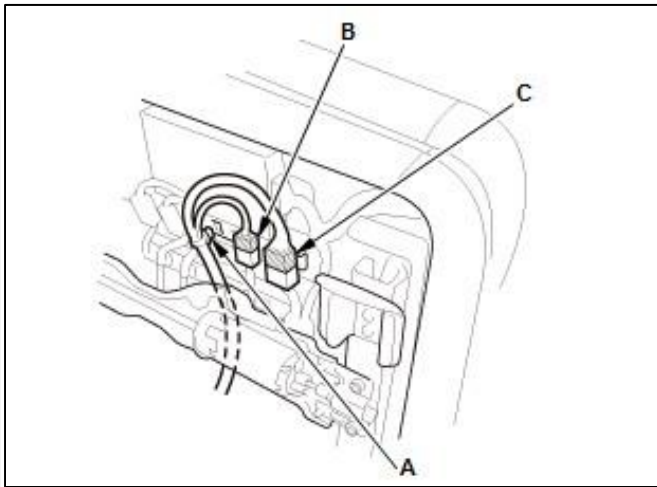
4. Battery Terminal - Disconnect

1. Do the battery terminal disconnection procedure .

5. Front Seat - Remove

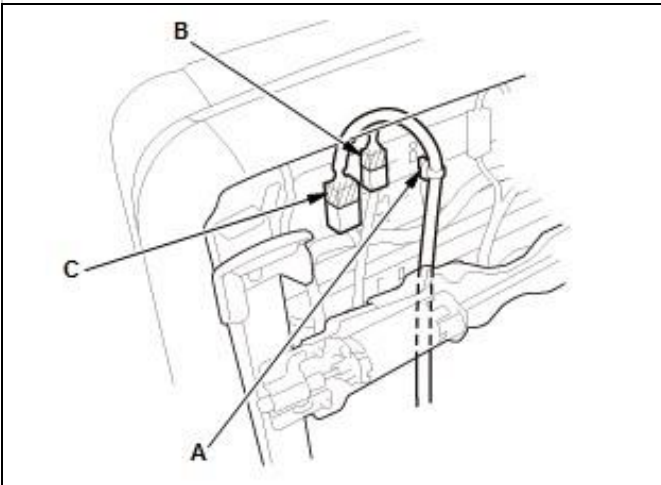
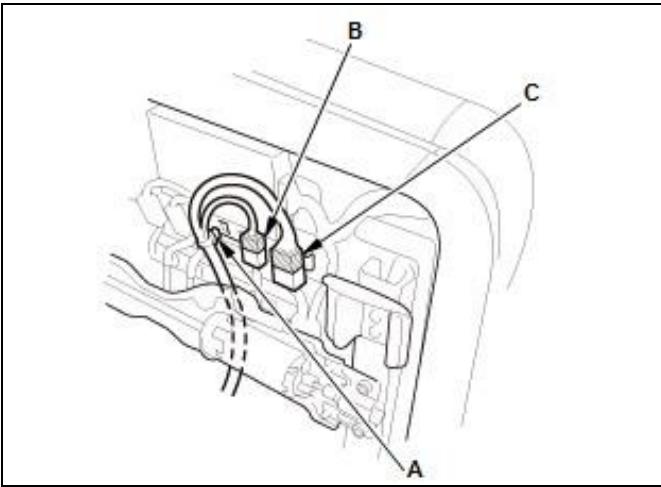
Driver's seat

1. Lift up the front seat, then remove the harness clip (A)
2. Disconnect the side airbag connector (B) and the seat wire harness connector (C)
3. With the help of an assistant, carefully remove the front seat through the front door opening.



Courtesy of HONDA, U.S.A., INC. HONDA, U.S.A., INC.

Passenger's seat



Courtesy of HONDA, U.S.A., INC. HONDA, U.S.A., INC.

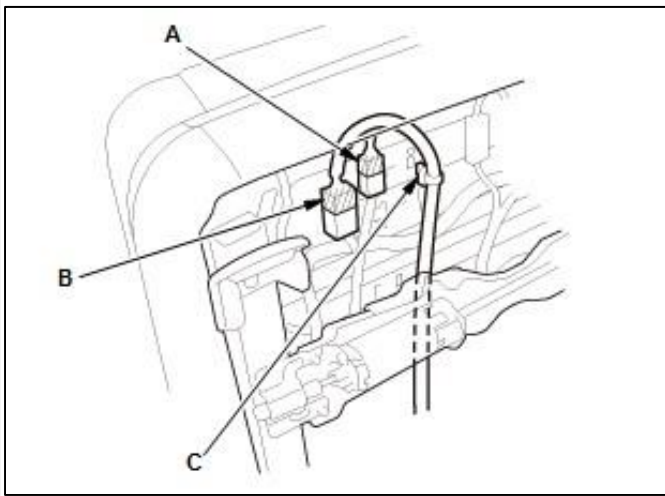
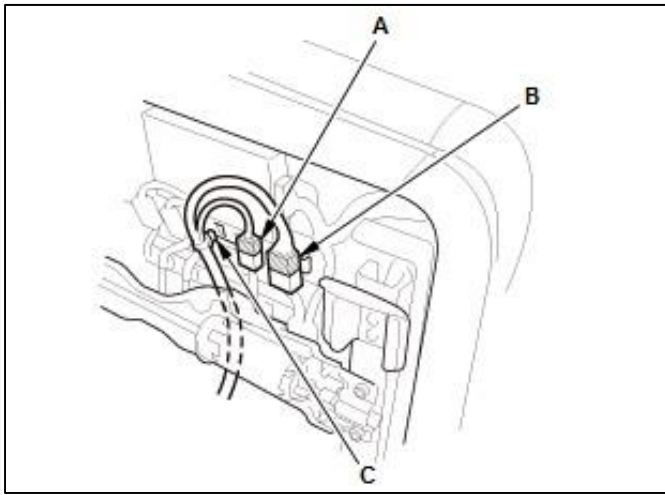
Installation

SRS components are located in this area. Review the SRS component locations - Refer to: SRS Component Location Index (2013-18), or SRS Component Location Index (2013-18) and the precautions and procedures - Refer to: SRS Precautions and Procedures (2013-15), or SRS Precautions and Procedures (2016-18) before doing repairs or service.

1. Front Seat - Install

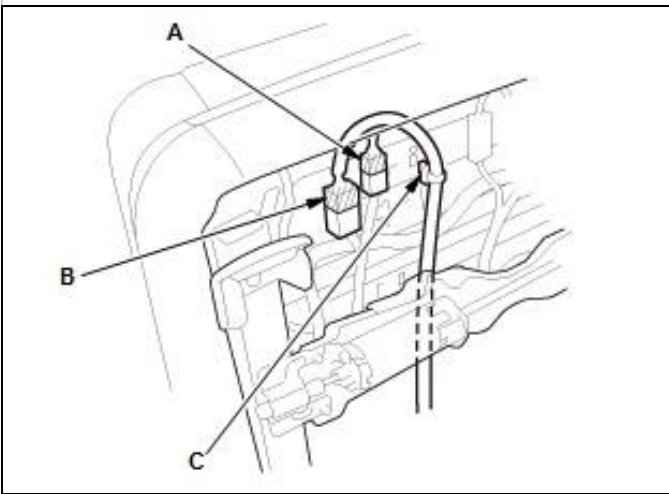
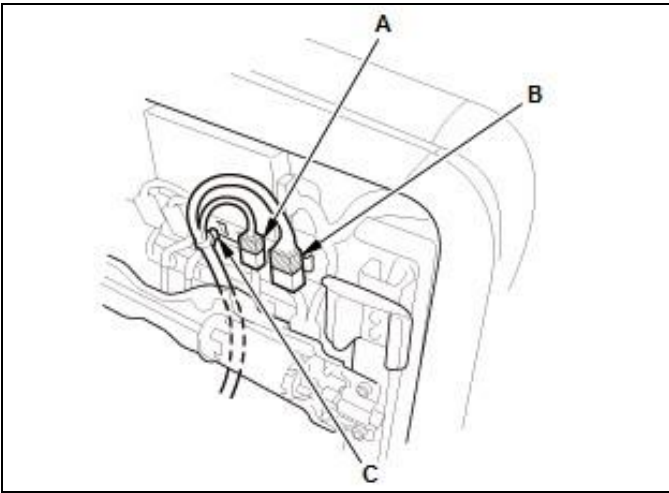
Driver's seat

1. With the help of an assistant, carefully install the front seat through the front door opening
2. Connect the side airbag connector (A) and the seat wire harness connector (B)
3. Install the harness clip (C).



Courtesy of HONDA, U.S.A., INC. HONDA, U.S.A., INC.

Passenger's seat



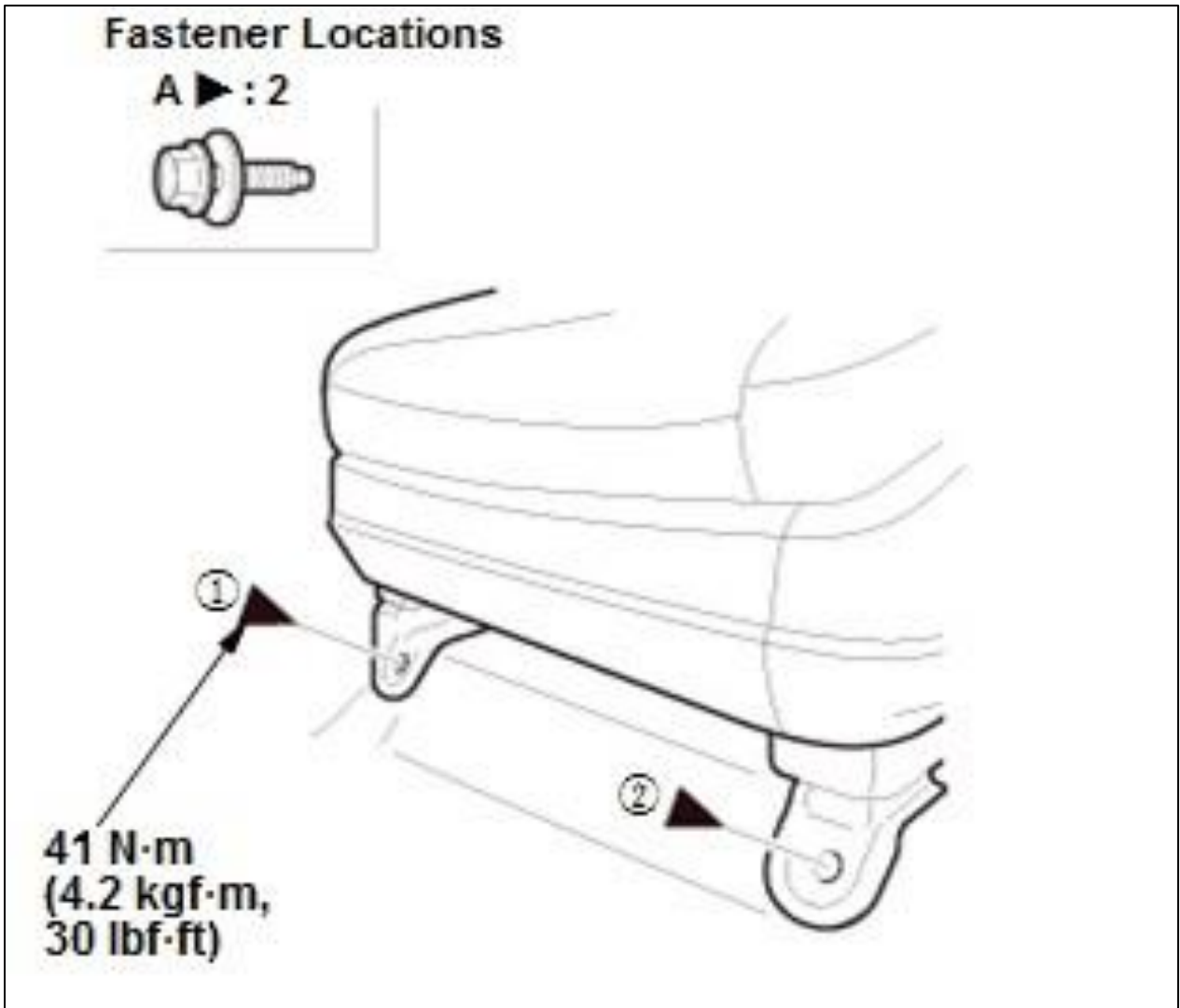
Courtesy of HONDA, U.S.A., INC.HONDA, U.S.A., INC.

2. Battery Terminal - Connect

1. Do the battery terminal reconnection procedure .

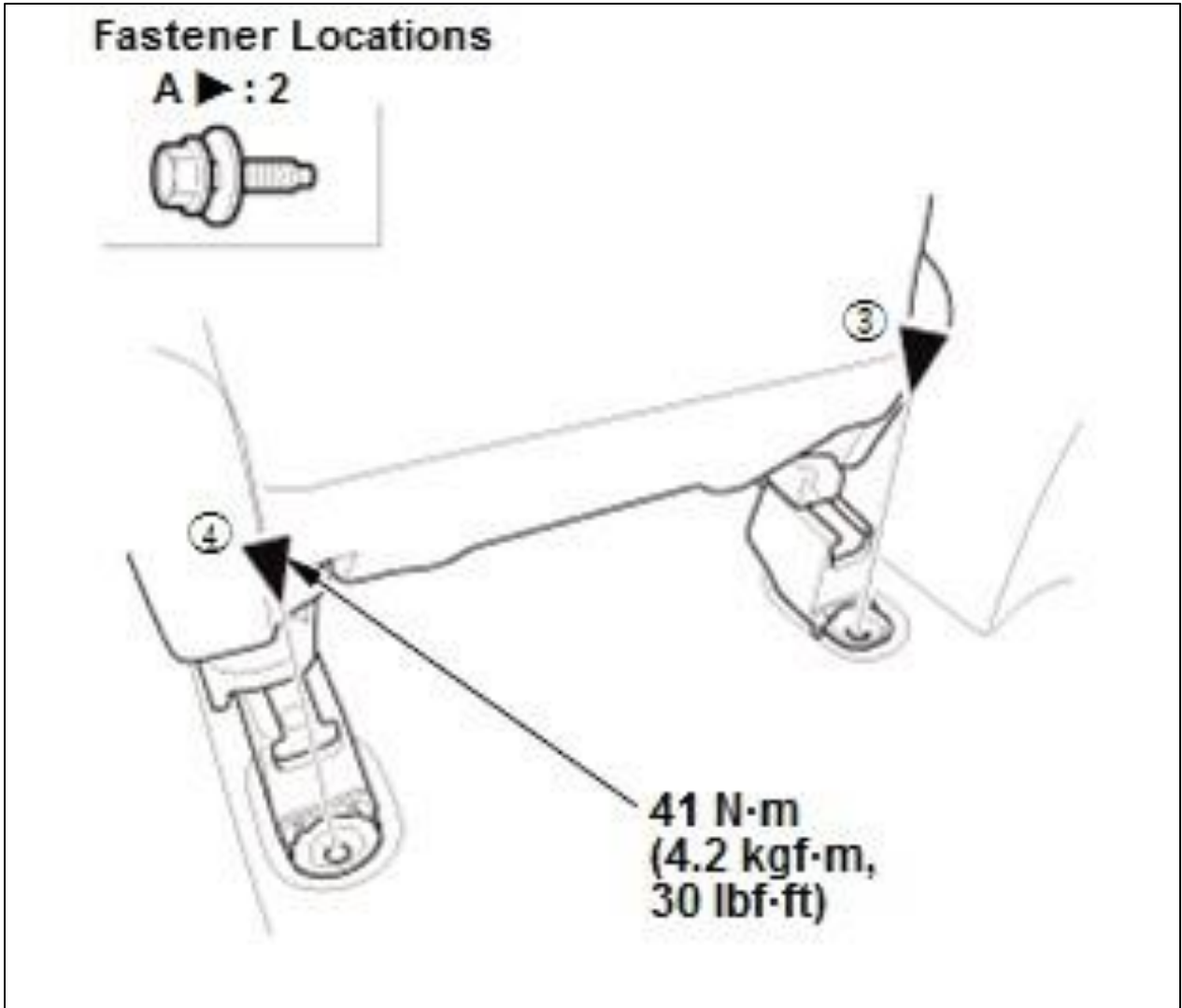
3. Front Seat Mounting Bolts - Install

Fig 1: Front Seat Mounting Bolts With Torque Specifications (Front Side)



Courtesy of HONDA, U.S.A., INC.

Fig 2: Front Seat Mounting Bolts With Torque Specifications (Rear Side)



Courtesy of HONDA, U.S.A., INC.

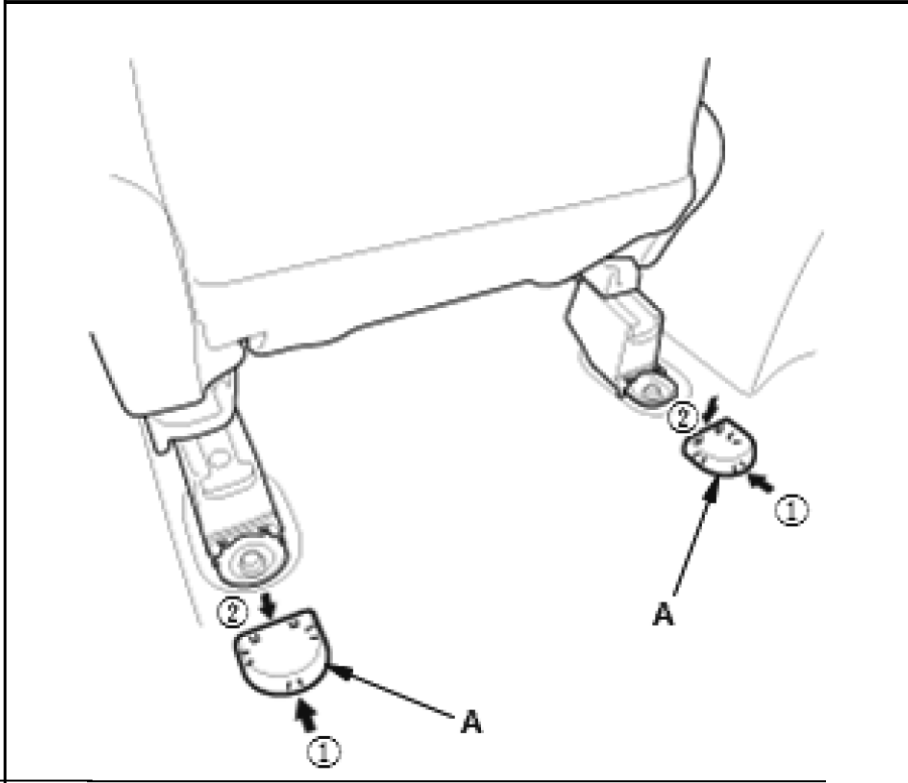
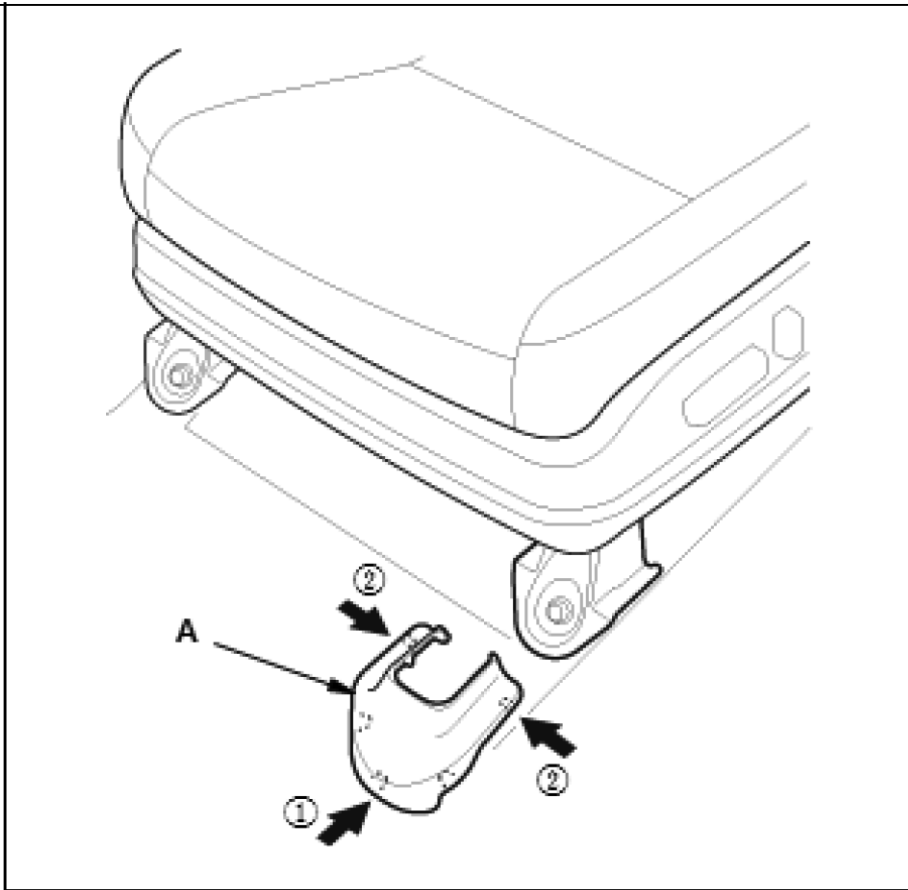
1. Install the seat mounting bolts (A).

NOTE:

1. Tighten the bolts by hand first, then tighten them to the specified torque.
2. Tighten the seat mounting bolts to the specified torque in the sequence shown. Slide the seat all the way back and tighten 1 and 2, then slide it forward and tighten 3 and 4.

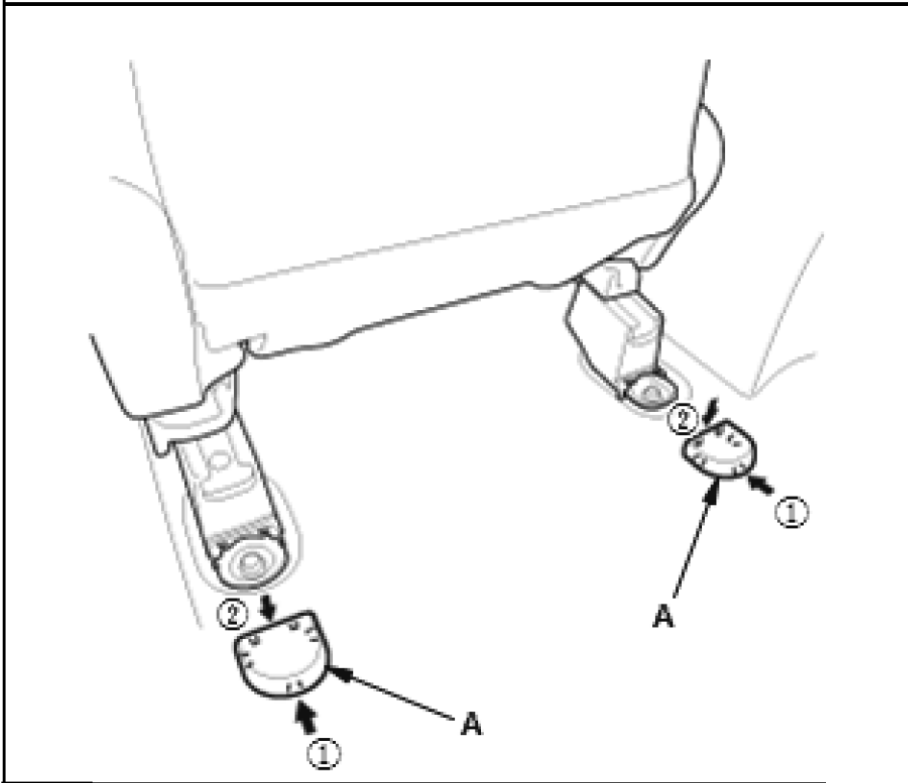
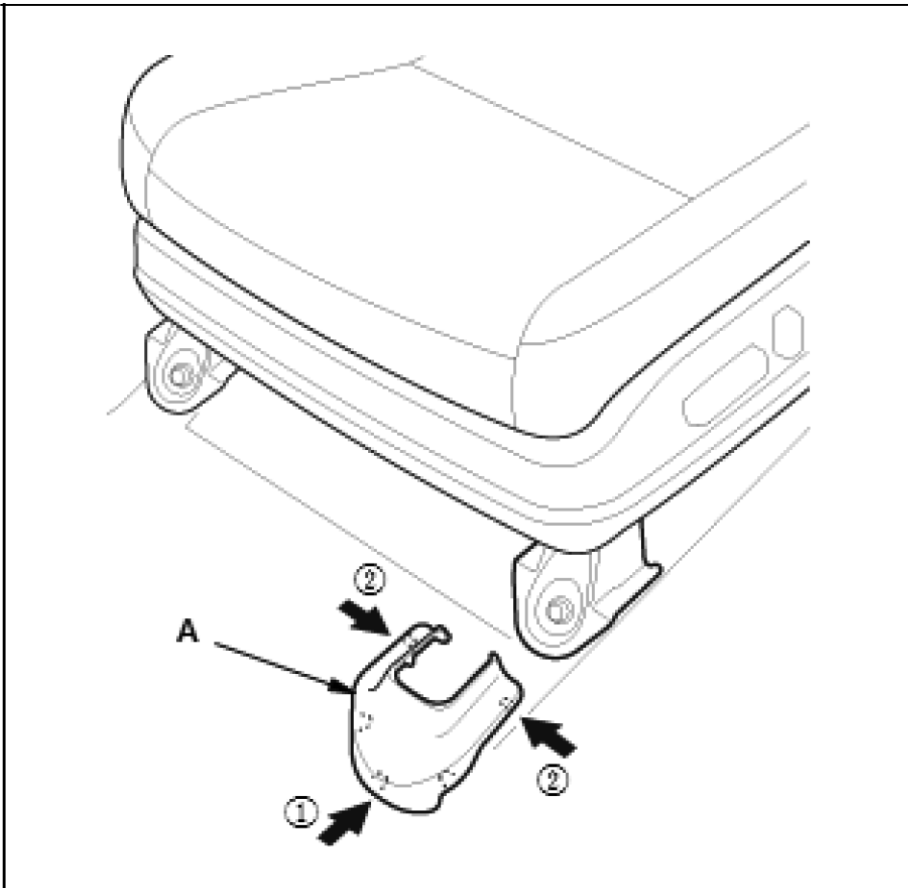
4. Both Front Seat Track End Covers - Install

Front side	1. Install both seat track end covers (A).
-------------------	--



Courtesy of HONDA, U.S.A., INC. HONDA, U.S.A., INC.

Rear side



Courtesy of HONDA, U.S.A., INC. HONDA, U.S.A., INC.

5. Front Seat Belt Lower Anchor Bolt- Install

1. Install the front seat belt lower anchor bolt - Refer to: Front Seat Belt Removal and Installation (2013-15), or Front Seat Belt Removal and Installation (2016-18) .

6. ODS Unit (USA and Canada Models) - Initialize

1. Do the ODS unit initialization after the front passenger's seat replacement .

7. OPDS Unit (Mexico Models) - Initialize

1. .