

YMMS: 2018 Acura RDX Base

Engine: 3.5L Eng

## Front Seat Recline Cover Removal And Installation (2013-18)

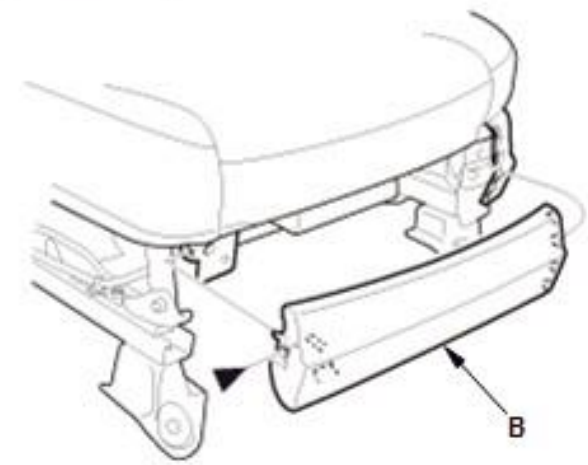
### Removal

SRS components are located in this area. Review the SRS component locations - Refer to: SRS Component Location Index (2013-18), or SRS Component Location Index (2013-18) and the precautions and procedures - Refer to: SRS Precautions and Procedures (2013-15), or SRS Precautions and Procedures (2016-18) before doing repairs or service.

#### 1. Front Seat - Remove

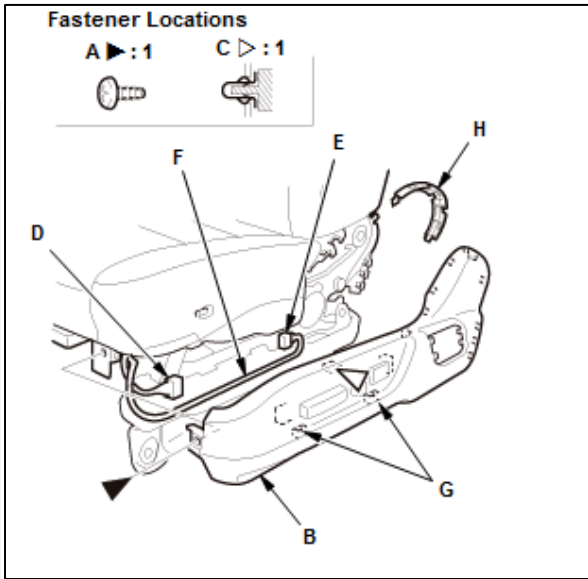
1. Remove the front seat - Refer to: Front Seat Removal and Installation (2013-18), or Front Seat Removal and Installation(With Ventilated Seat) (2016-18) .

#### 2. Front Seat Recline Cover - Remove

<p><b>Fastener Location</b></p> <p>A ▶ : 1</p> 	<ol style="list-style-type: none"><li>1. Remove the screw (A)</li><li>2. Remove the front cover (B).</li></ol>
<p>Courtesy of HONDA, U.S.A., INC.</p>	

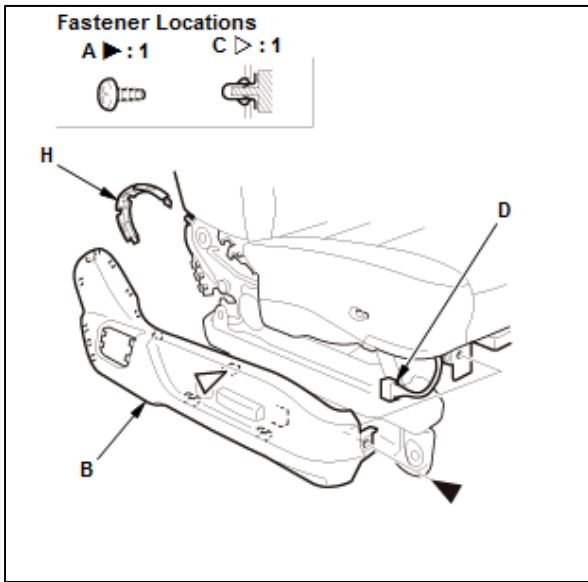
#### Driver's seat

3. Remove the screw (A)
4. Pull out the recline cover (B), and remove the clip (C)
5. Disconnect the power seat adjustment switch connector (D)
6. Driver's seat: Disconnect the lumbar support switch connector (E). Remove the wire harness (F)



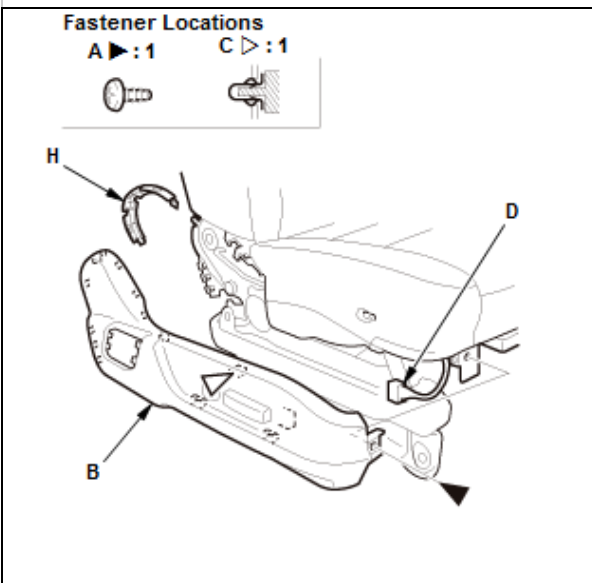
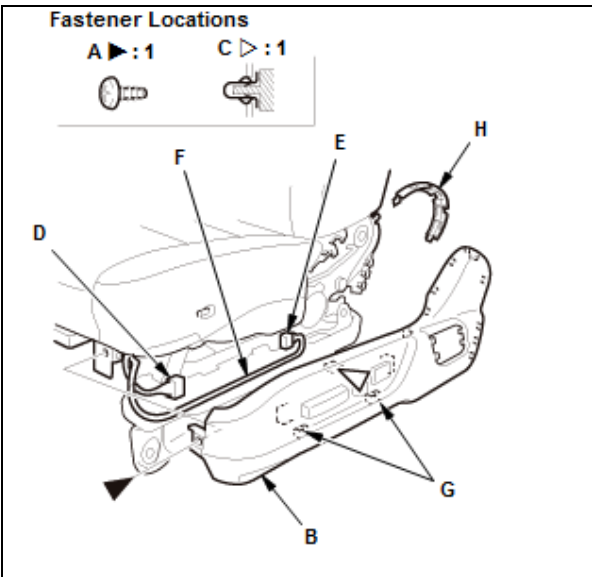
from the hooks (G)

7. If necessary, remove the recline inner cover (H).



Courtesy of HONDA, U.S.A., INC. HONDA, U.S.A., INC.

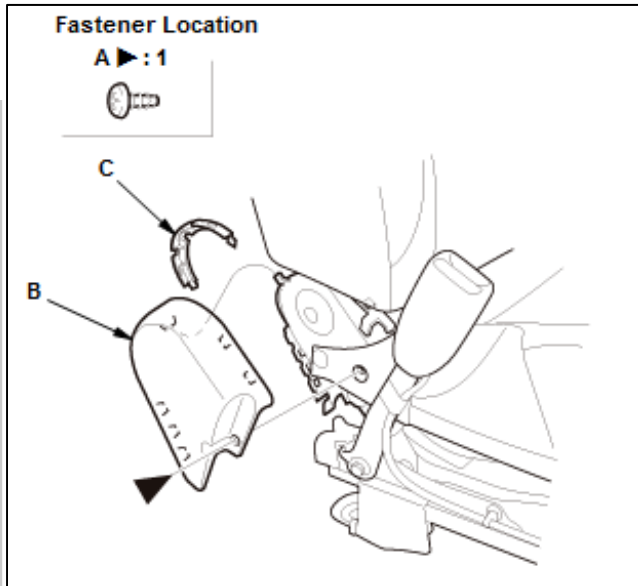
### Passenger's seat



Courtesy of HONDA, U.S.A., INC. HONDA, U.S.A., INC.

### 3. Front Seat Center Cover - Remove

1. Remove the screw (A)
2. Remove the center cover (B)
3. If necessary, remove the center inner cover (C).



Courtesy of HONDA, U.S.A., INC.

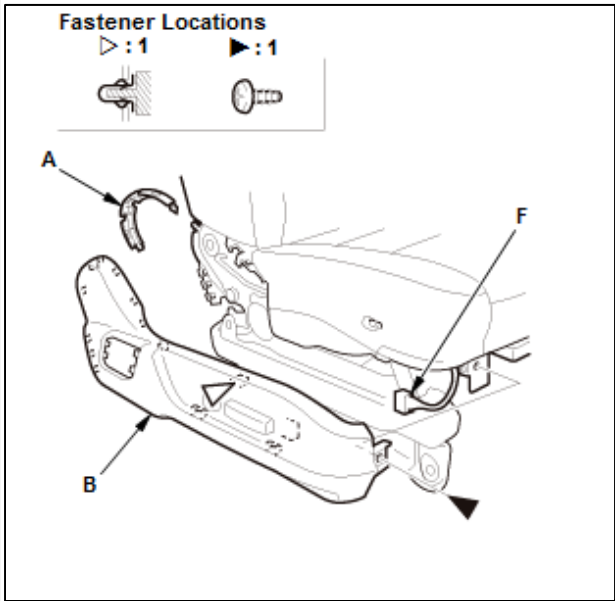
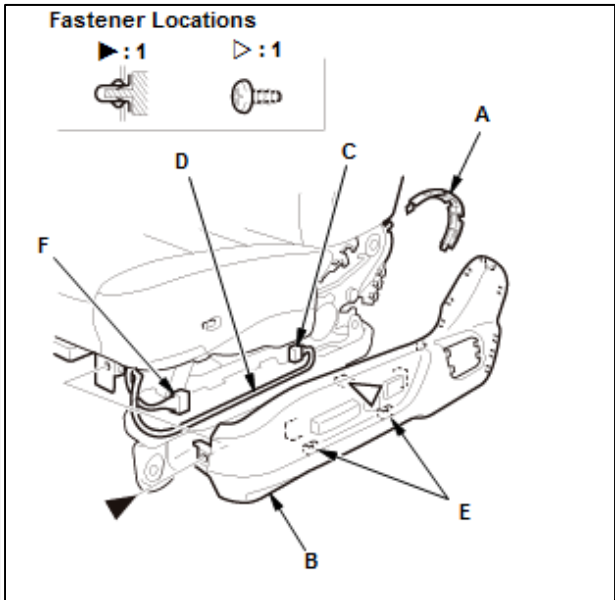
## Installation

SRS components are located in this area. Review the SRS component locations - Refer to: SRS Component Location Index (2013-18), or SRS Component Location Index (2013-18) and the precautions and procedures - Refer to: SRS Precautions and Procedures (2013-15), or SRS Precautions and Procedures (2016-18) before doing repairs or service.

### 1. Front Seat Recline Cover - Install

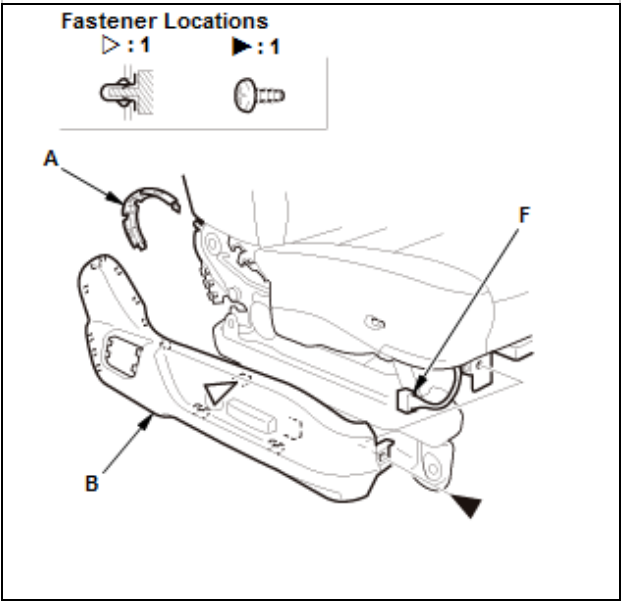
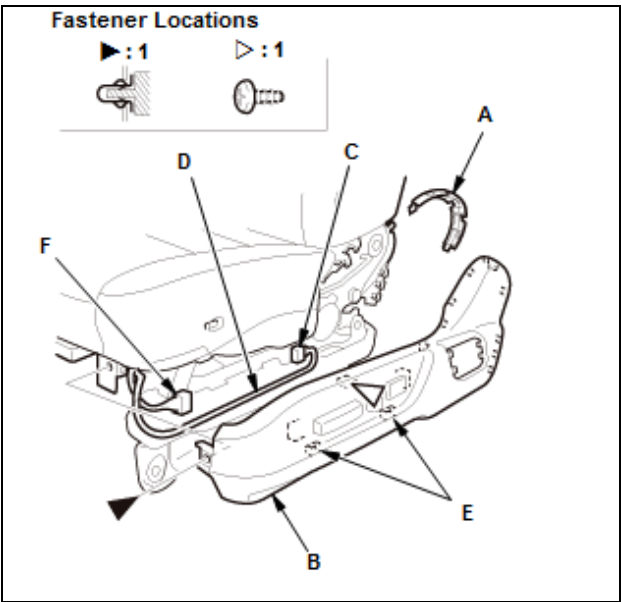
#### Driver's seat

1. Install the recline inner cover (A) to the recline cover (B)
2. Driver's seat: Connect the lumbar support switch connector (C). Install the wire harness (D) to the hooks (E)
3. Connect the power seat adjustment switch connector (F)
4. Install the recline cover.



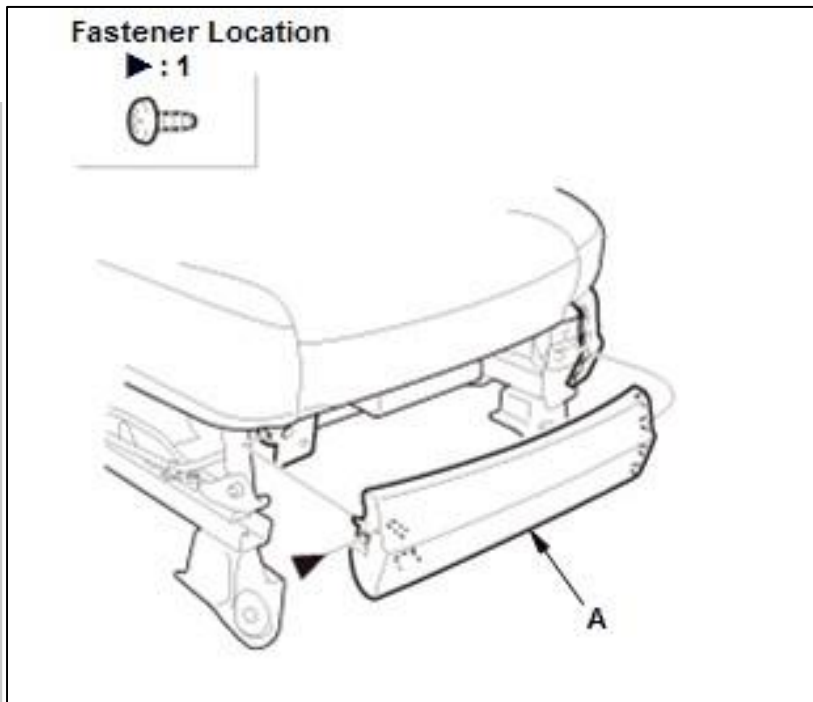
Courtesy of HONDA, U.S.A., INC. HONDA, U.S.A., INC.

**Passenger's seat**



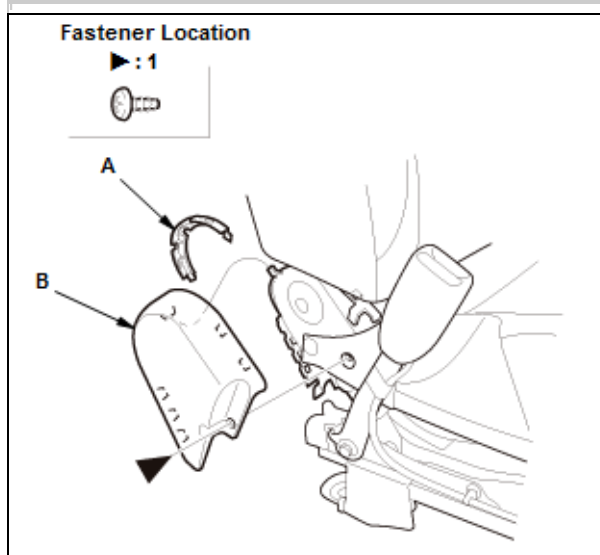
Courtesy of HONDA, U.S.A., INC. HONDA, U.S.A., INC.

5. Install the front cover (A).



Courtesy of HONDA, U.S.A., INC.

## 2. Front Seat Center Cover - Install



Courtesy of HONDA, U.S.A., INC.

1. Install the center inner cover (A) to the center cover (B)
2. Install the center cover.

## 3. Front Seat - Install

1. Install the front seat - Refer to: Front Seat Removal and Installation (2013-18), or Front Seat Removal and Installation(With Ventilated Seat) (2016-18) .