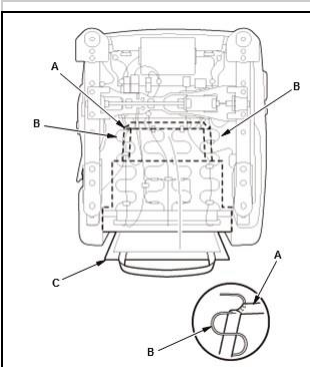


REMOVAL INSTALLATION > FRONT SEAT CUSHION COVER REMOVAL AND INSTALLATION(WITH VENTILATED SEAT) (2016-18) > REMOVAL INSTALLATION

NOTE: *SRS components are located in this area. Review the SRS component locations - Refer to: SRS Component Location Index (2013-18), or SRS Component Location Index (2013-18) and the precautions and procedures before doing repairs or service.*

1. Front Seat - Remove
2. Front Seat Recline Cover - Remove
3. Front Seat Center Cover - Remove
4. Front Seat Cushion Harness - Remove

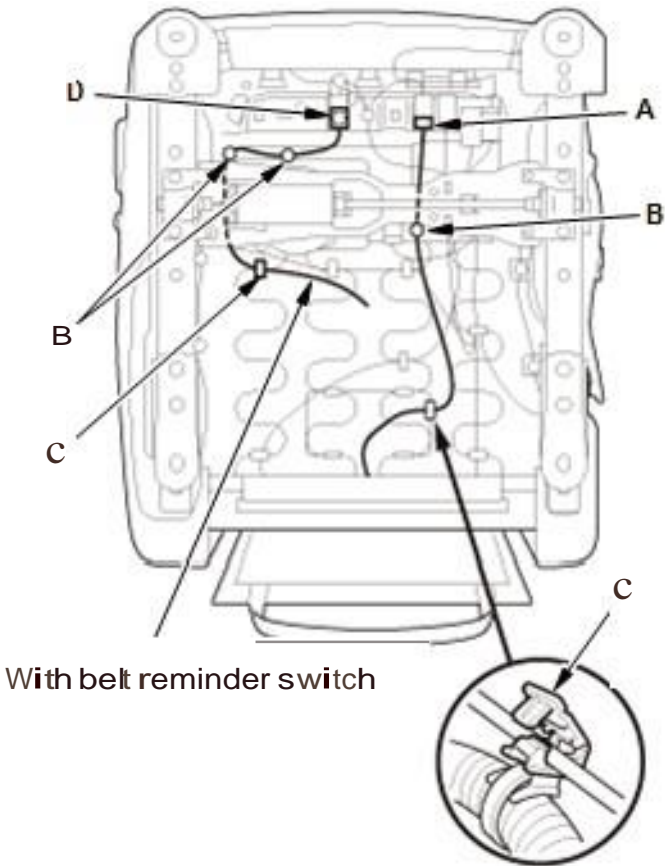
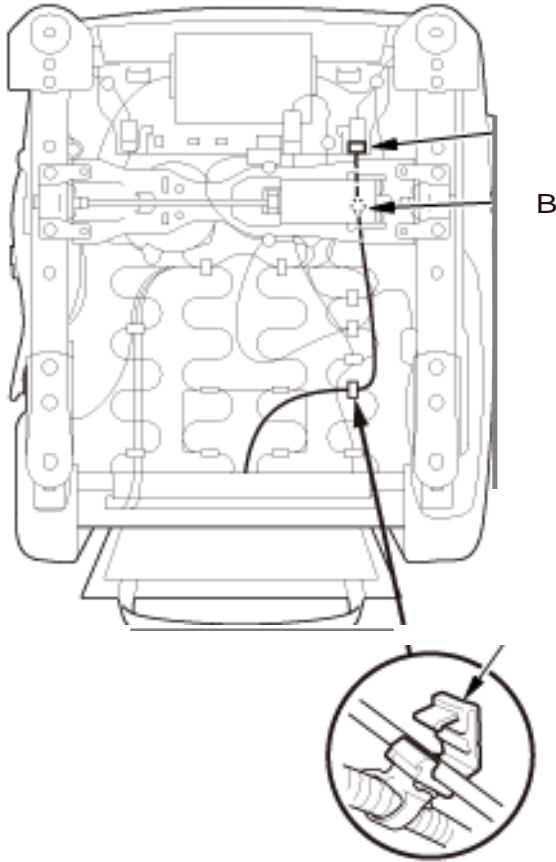


Courtesy of HONDA, U.S.A., INC.

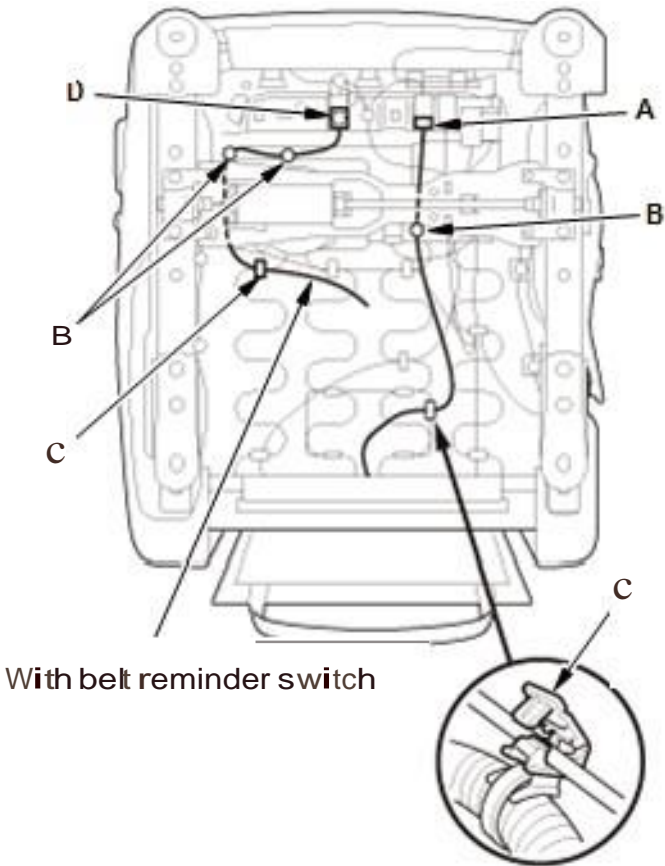
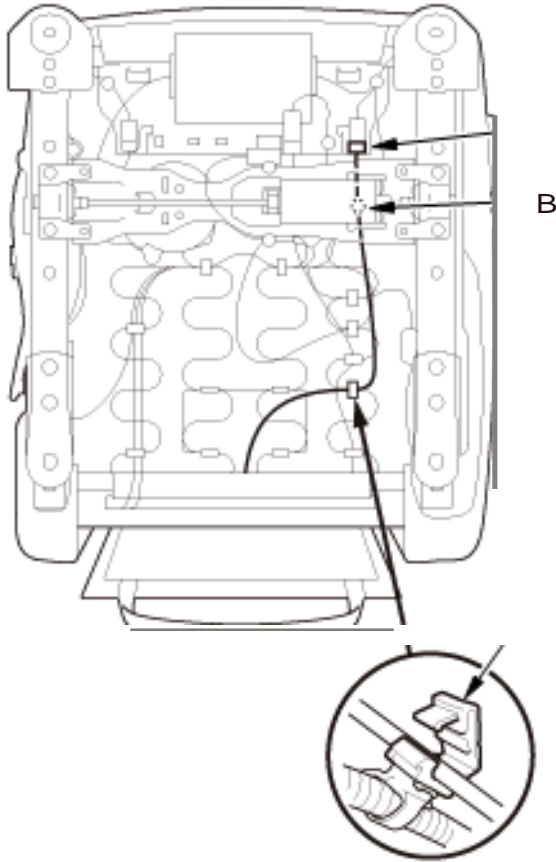
1. From under the seat cushion, release the elastic strap (A) from the seat cushion frame springs (B), then pull back the undercover (C) of the seat-back cover.

Driver's seat

2. Disconnect the connector (A)
3. Remove the harness clip(s) (B) and the holder(s) (C)
4. With belt reminder switch: Disconnect the connector (D).

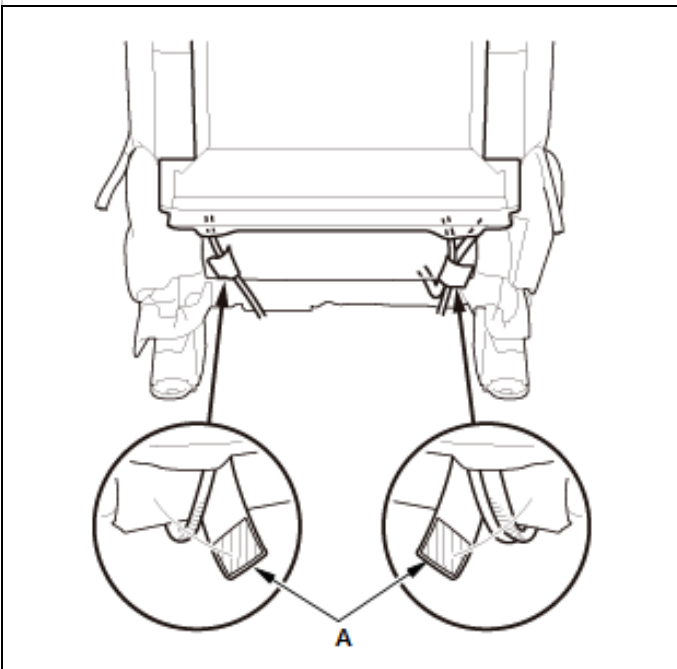


Passenger's seat



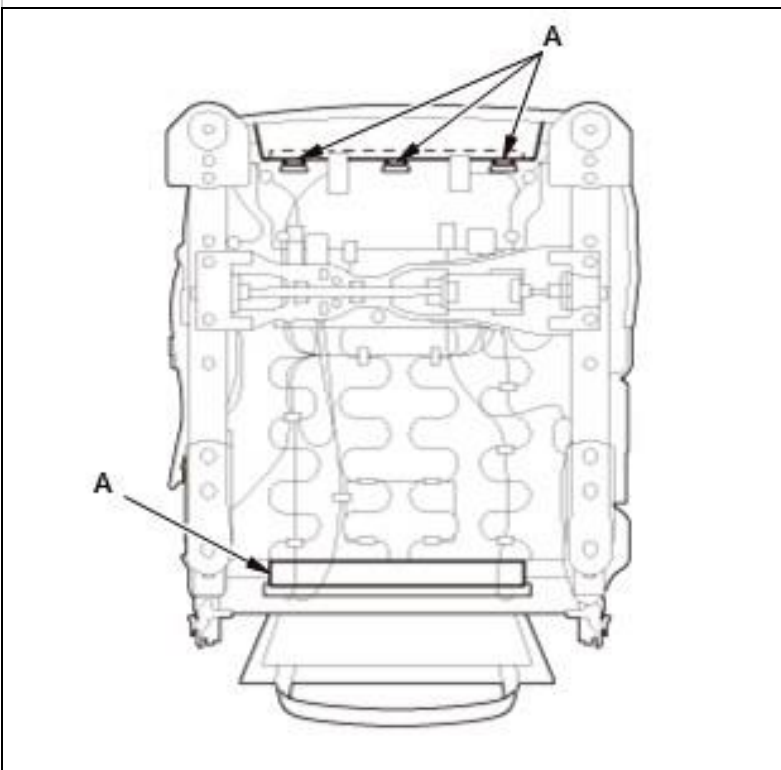
5. Power Seat Control Unit - Remove

6. Front Seat Cushion Cover/Pad - Remove



1. Release the hook and loop fasteners (A).

Courtesy of HONDA, U.S.A., INC.



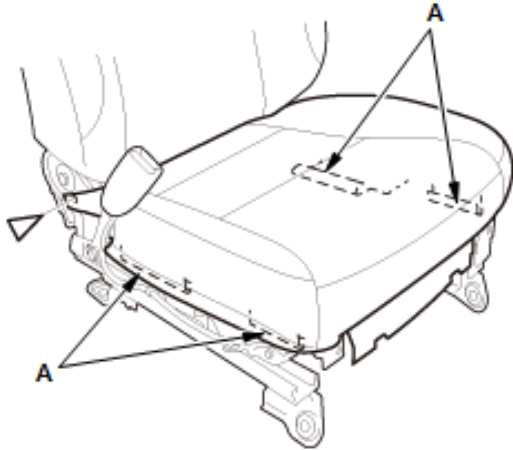
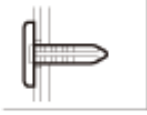
2. Release the hook strips (A).

Courtesy of HONDA, U.S.A., INC.

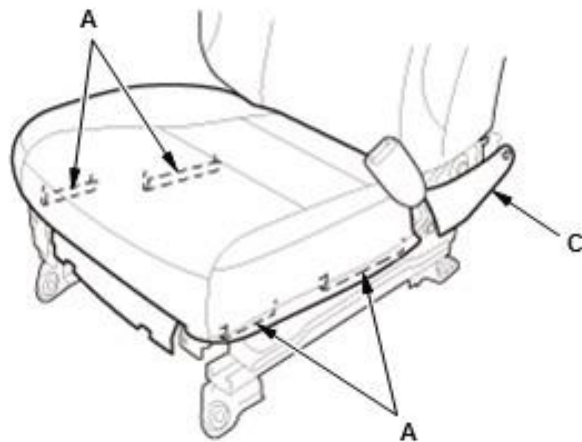
Driver's seat

Fastener Location

B ▷ : 1

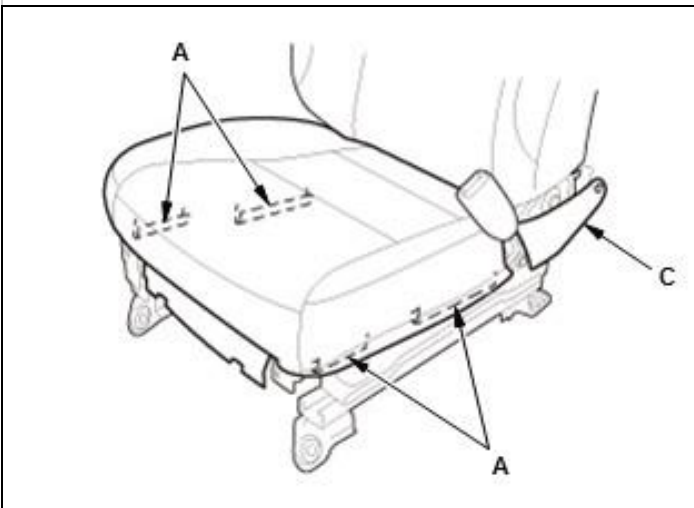
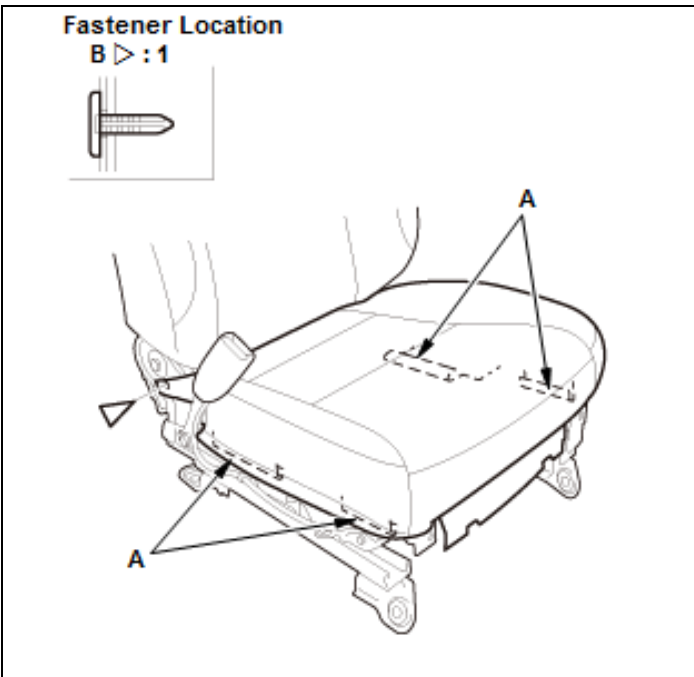


3. Release the hook strips (A)
4. Driver's seat: Remove the clip (B)
5. Passenger's seat: Release the seat cushion cover (C) from the seat cushion frame.



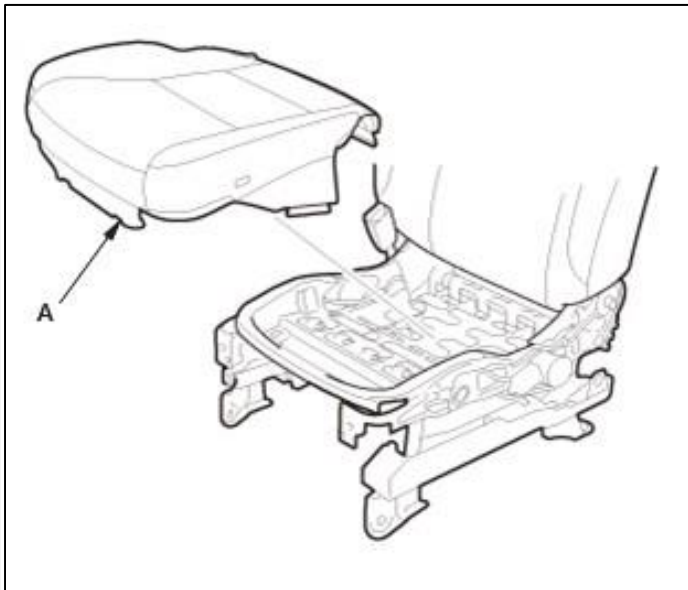
Courtesy of HONDA, U.S.A., INC. HONDA, U.S.A., INC.

Passenger's seat



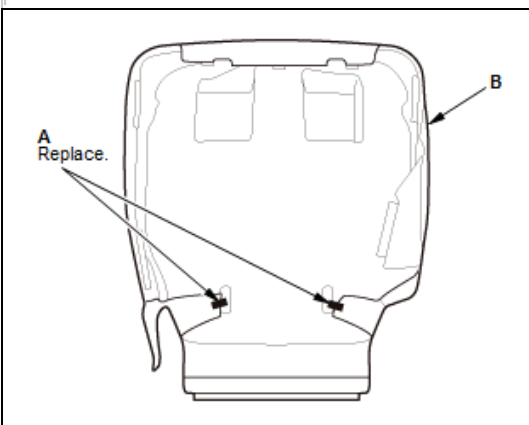
Courtesy of HONDA, U.S.A., INC. HONDA, U.S.A., INC.

6. Remove the seat cushion cover/pad (A).



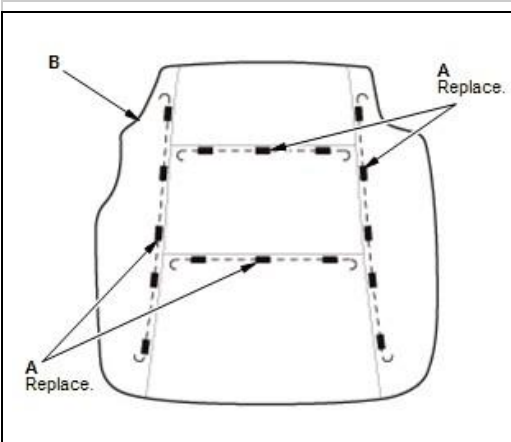
Courtesy of HONDA, U.S.A., INC.

7. Front Seat Cushion Cover - Remove



Courtesy of HONDA, U.S.A., INC.

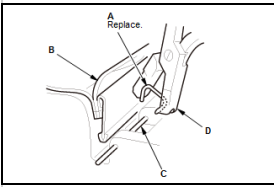
1. Remove the upholstery rings (A) securing the seat cushion cover (B).



Courtesy of HONDA, U.S.A., INC.

2. Release the upholstery rings (A), then remove the seat cushion cover (B).

8. All Removed Parts - Install



Courtesy of HONDA, U.S.A.,
INC.

1. Install the parts in the reverse order of removal.

NOTE: *Replace all of the upholstery rings (A) fastening the seat cushion cover (B) to the pad wires (C) with new ones using commercially available upholstery ring pliers (D).*