

YMMS: 2018 Acura RDX Base

Engine: 3.5L Eng

REMOVAL INSTALLATION > FRONT SEAT CUSHION COVER REMOVAL AND INSTALLATION (2013-18) > REMOVAL

SRS components are located in this area. Review the SRS component locations - Refer to: SRS Component Location Index (2013-18), or SRS Component Location Index (2013-18) and the precautions and procedures - Refer to: SRS Precautions and Procedures (2013-15), or SRS Precautions and Procedures (2016-18) before doing repairs or service.

1. Front Seat - Remove

1. Remove the front seat - Refer to: Front Seat Removal and Installation (2013-18), or Front Seat Removal and Installation(With Ventilated Seat) (2016-18) .

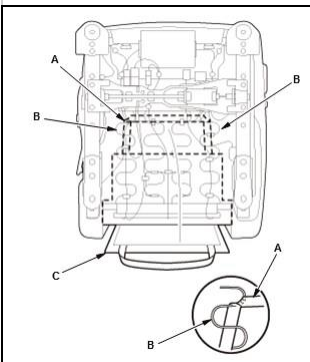
2. Front Seat Recline Cover - Remove

1. Remove the front seat recline cover .

3. Front Seat Center Cover - Remove

1. Remove the front seat center cover .

4. Front Seat Cushion Harness - Remove

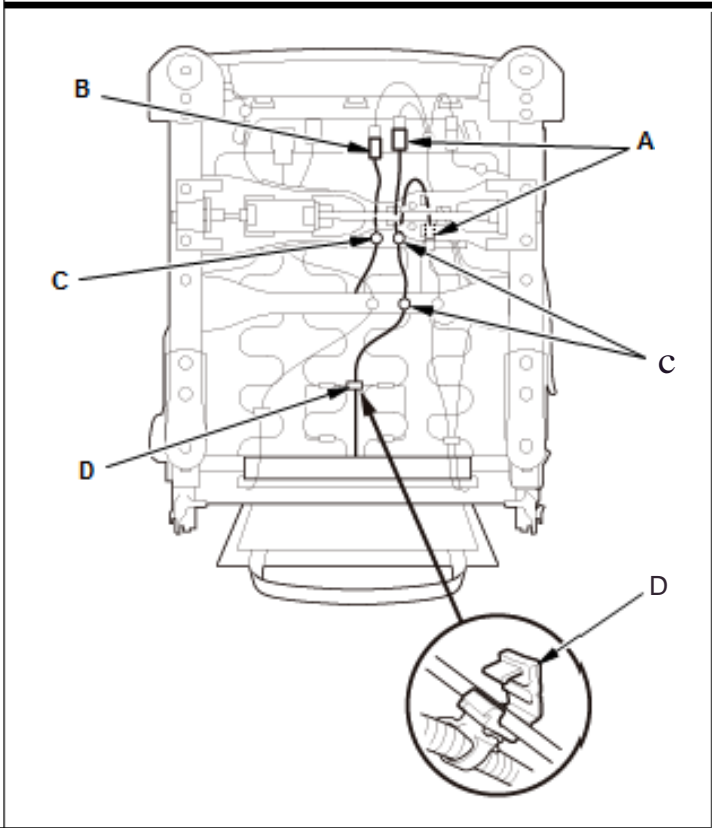
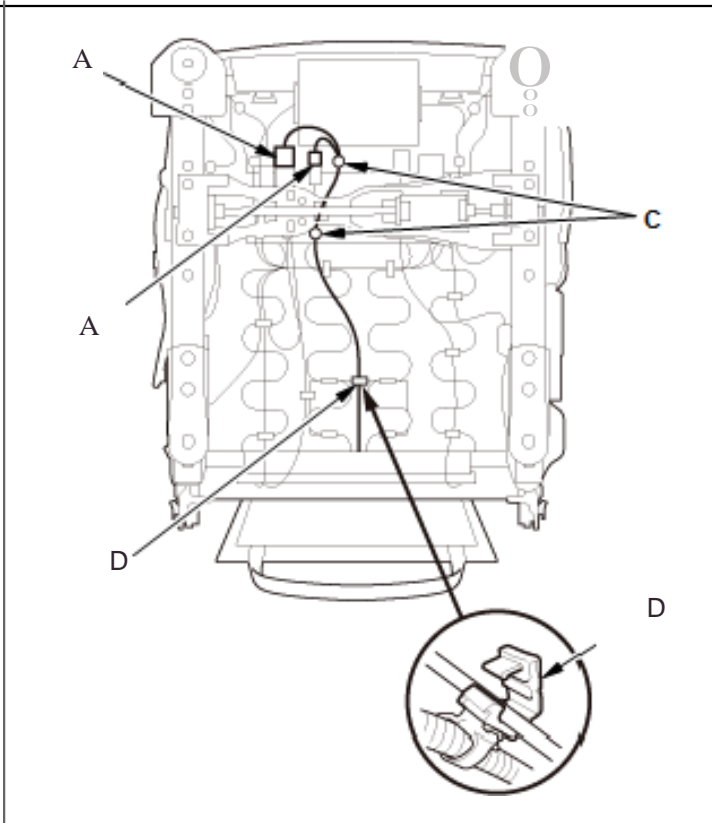


Courtesy of HONDA, U.S.A., INC.

1. From under the seat cushion, release the elastic strap (A) from the seat cushion frame springs (B), then pull back the undercover (C) of the seat-back cover.

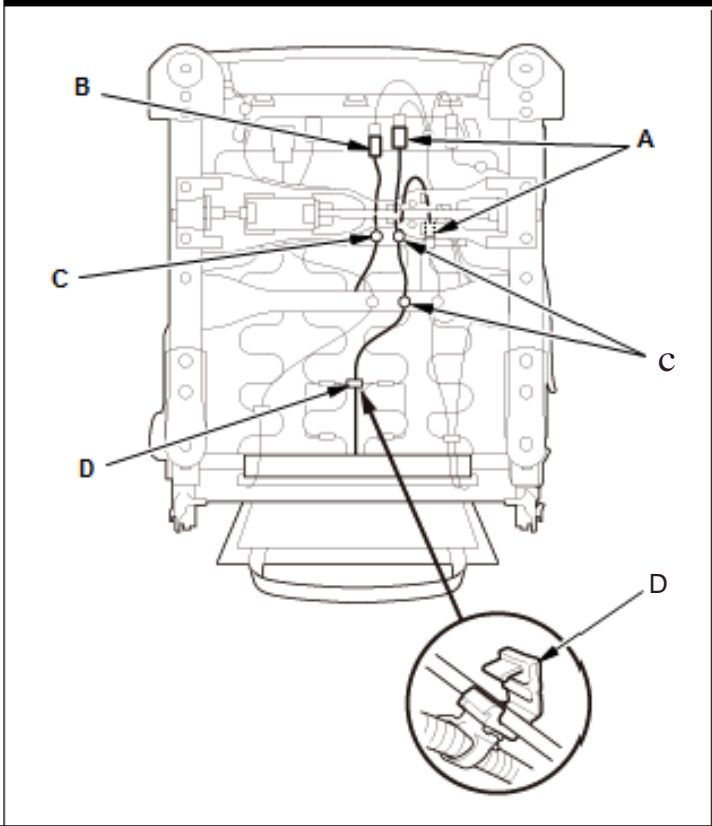
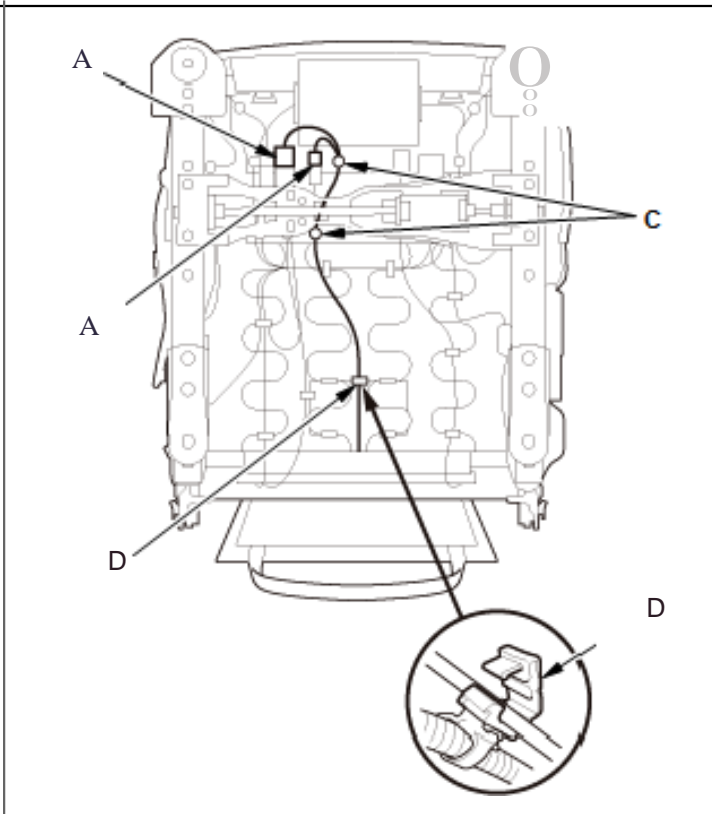
Driver's seat

2. Disconnect the seat cushion heater connectors (A)
3. Passenger's seat (Mexico models): Disconnect the sitting switch connector (B)
4. Remove the harness clips (C) and the holder (D).



CouMsyof HONDA U.S.A. INC.HONDA U.S.A, INC.

Passenger's seat

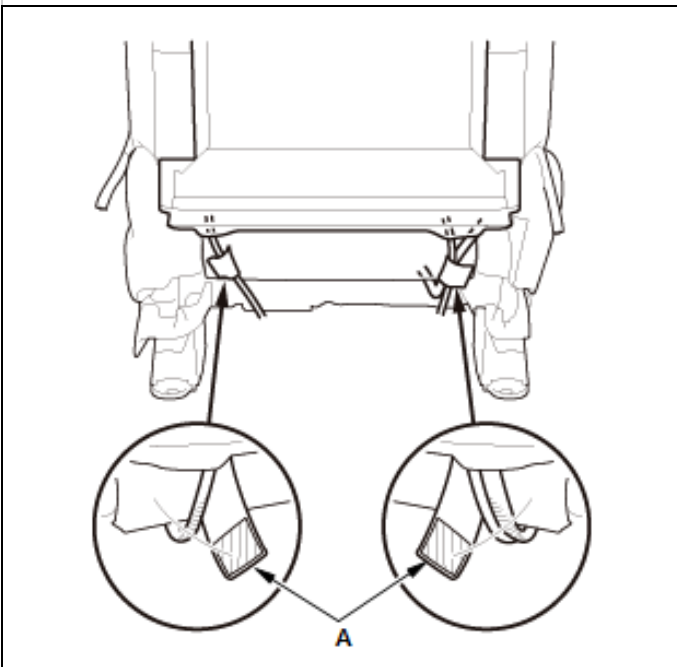


CouMsyof HONDA U.S.A. INC.HONDA U.S.A, INC.

5. Power Seat ControlUnit (Driver's Seat) - Remove

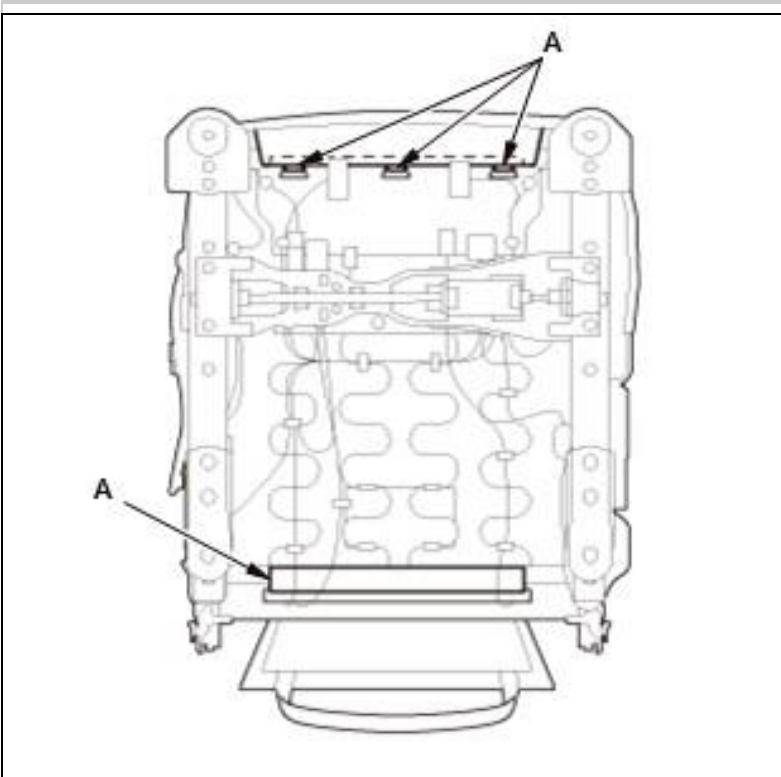
1. Remove the power seat controlunit .

6. Front Seat Cushion Cover/Pad - Remove



1. Release the hook and loop fasteners (A).

Courtesy of HONDA, U.S.A., INC.



2. Release the hook strips (A).

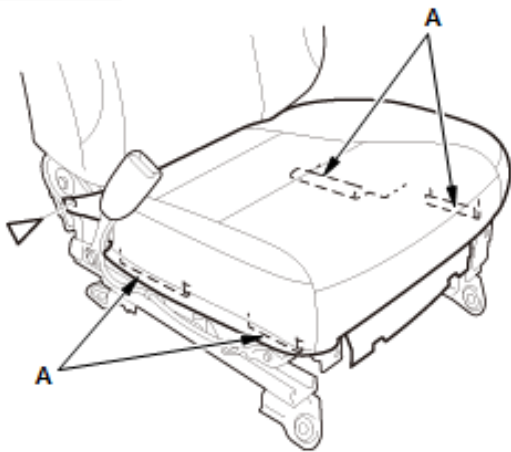
Courtesy of HONDA, U.S.A., INC.

Driver's seat

3. Release the hook strips (A)

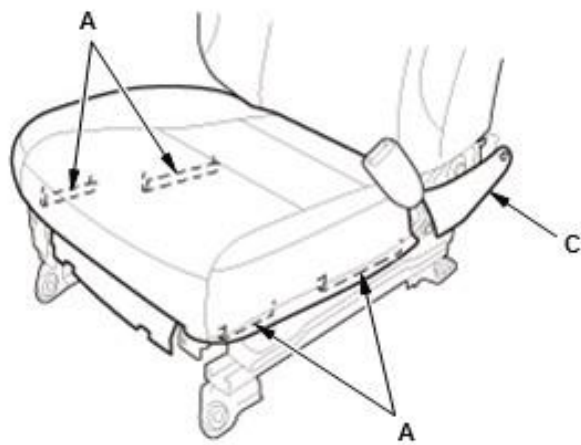
Fastener Location

B ▷ : 1



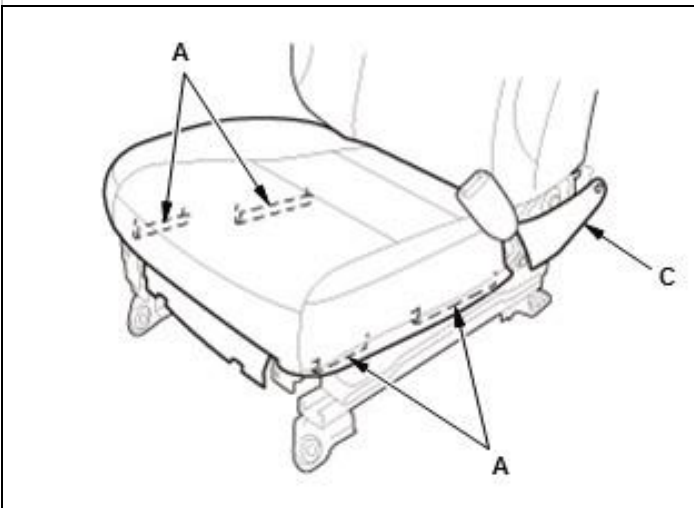
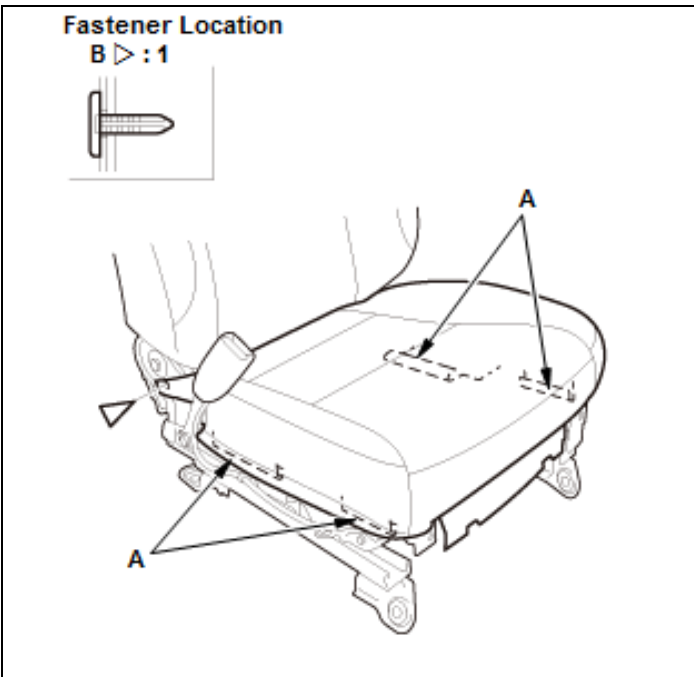
4. Driver's seat: Remove the clip (B)

5. Passenger's seat: Release the seat cushion cover (C) from the seat cushion frame.



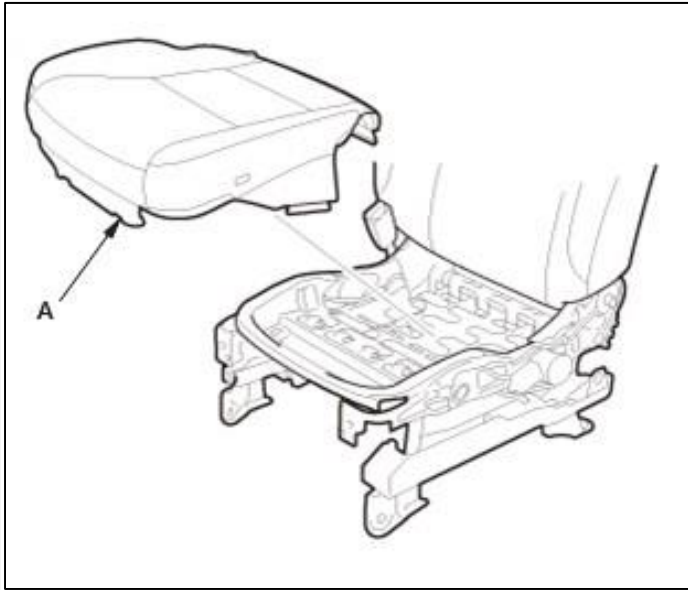
Courtesy of HONDA, U.S.A., INC. HONDA, U.S.A., INC.

Passenger's seat



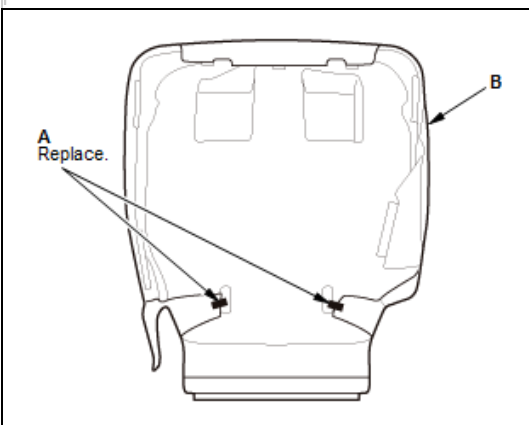
Courtesy of HONDA, U.S.A., INC. HONDA, U.S.A., INC.

6. Remove the seat cushion cover/pad (A).



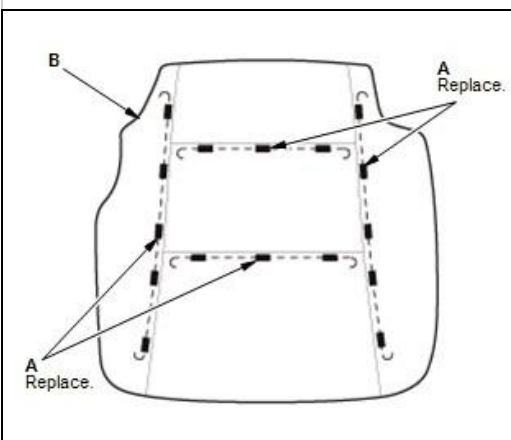
Courtesy of HONDA, U.S.A., INC.

7. Front Seat Cushion Cover - Remove



Courtesy of HONDA, U.S.A., INC.

1. Remove the upholstery rings (A) securing the seat cushion cover (B).



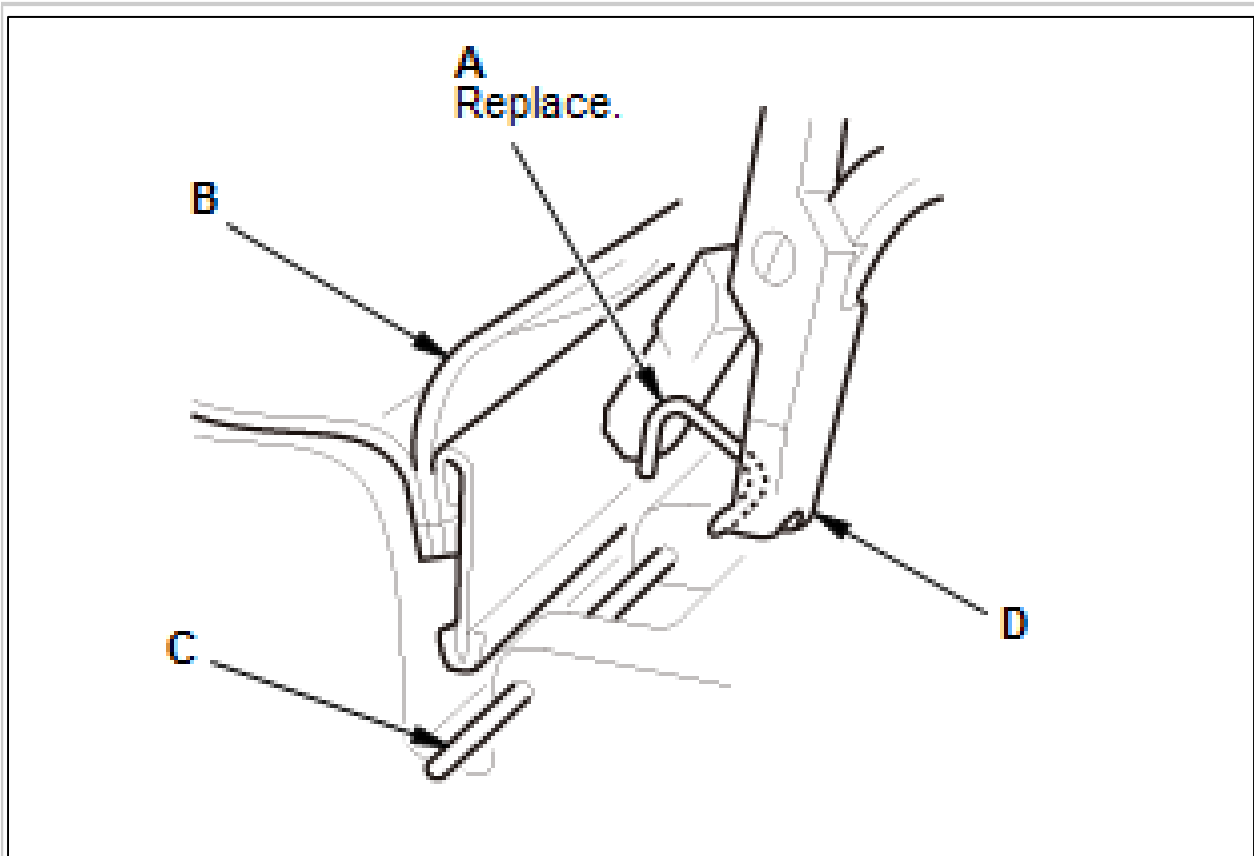
Courtesy of HONDA, U.S.A., INC.

2. Release the upholstery rings (A), then remove the seat cushion cover (B).

REMOVAL INSTALLATION > FRONT SEAT CUSHION COVER REMOVAL AND INSTALLATION (2013-18) > INSTALLATION

SRS components are located in this area. Review the SRS component locations - Refer to: SRS Component Location Index (2013-18), or SRS Component Location Index (2013-18) and the precautions and procedures - Refer to: SRS Precautions and Procedures (2013-15), or SRS Precautions and Procedures (2016-18) before doing repairs or service.

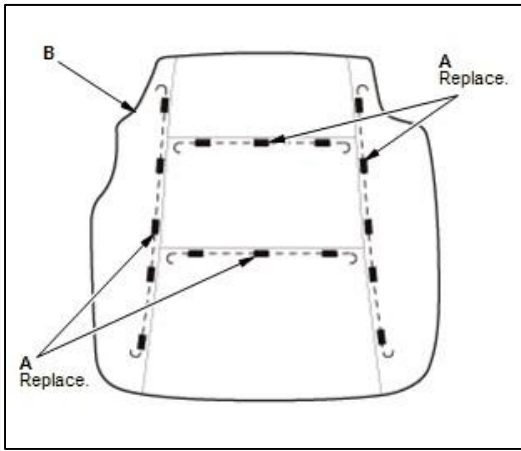
1. Front Seat Cushion Cover - Install



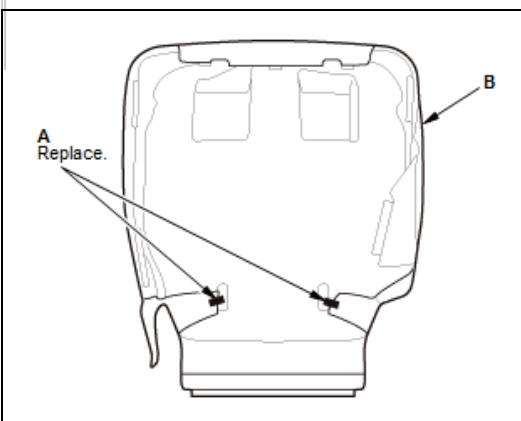
Courtesy of HONDA, U.S.A., INC.

NOTE: Replace all of the upholstery rings (A) fastening the seat cushion cover (B) to the pad wires (C) with new ones using commercially available upholstery ring pliers (D).

1. Install the new upholstery rings (A) securing the seat cushion cover (B).



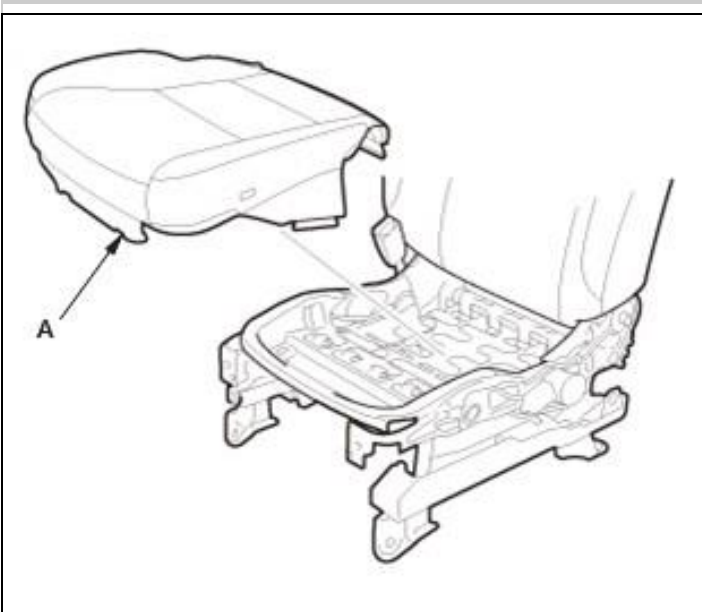
Courtesy of HONDA, U.S.A., INC.



Courtesy of HONDA, U.S.A., INC.

2. Install the new upholstery rings (A) securing the seat cushion cover (B).

2. Front Seat Cushion Cover/Pad - Install



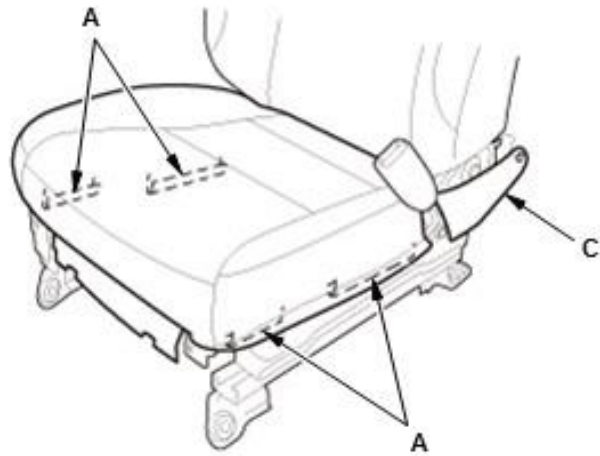
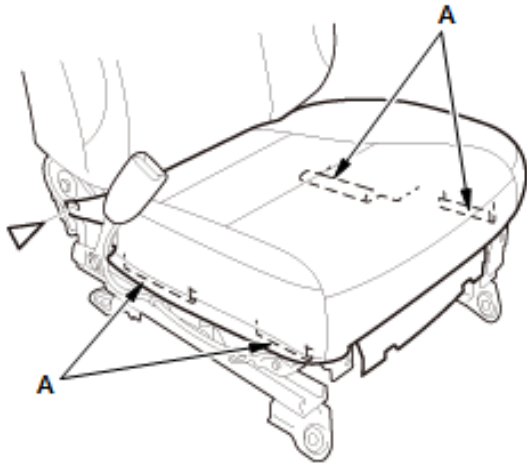
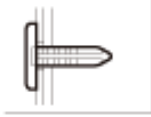
1. Install the seat cushion cover/pad (A).

Courtesy of HONDA, U.S.A., INC.

Driver's seat

Fastener Location

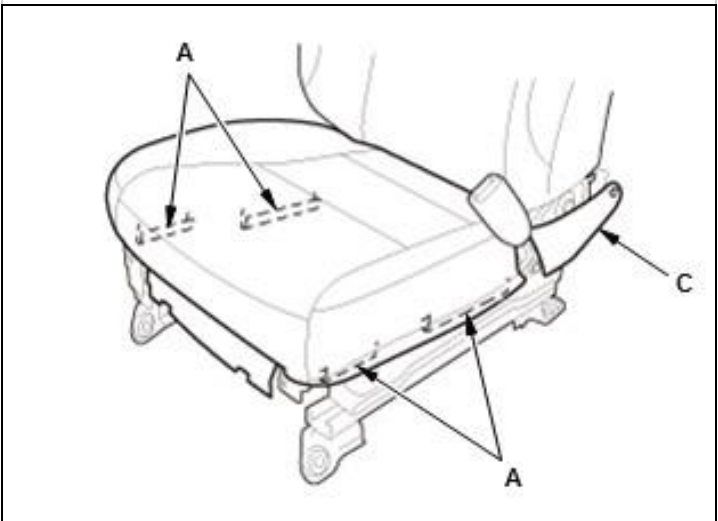
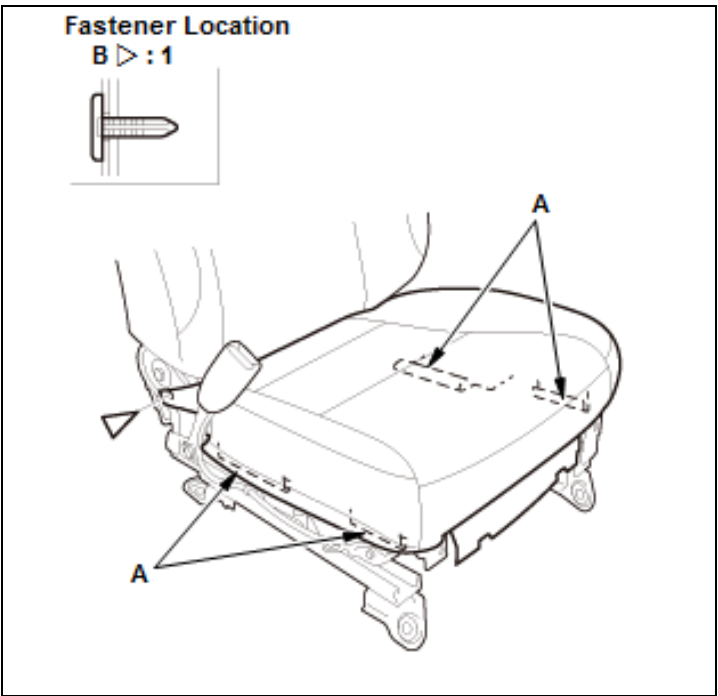
B ▷ : 1



2. Install the hook strips (A)
3. Driver's seat: Install the clip (B)
4. Passenger's seat: Install the seat cushion cover (C) to the seat cushion frame.

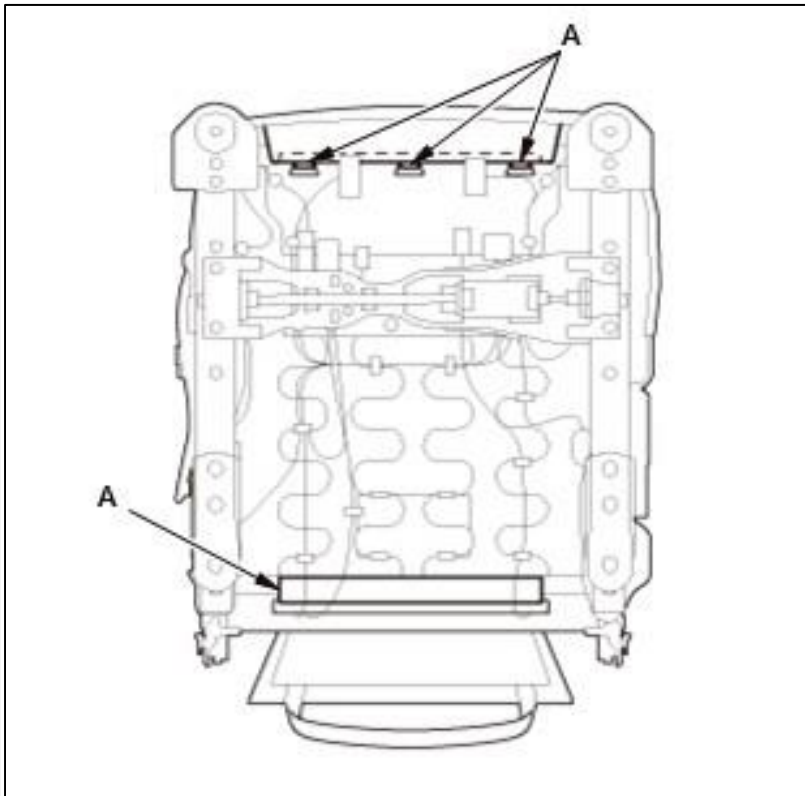
Courtesy of HONDA, U.S.A., INC. HONDA, U.S.A., INC.

Passenger's seat

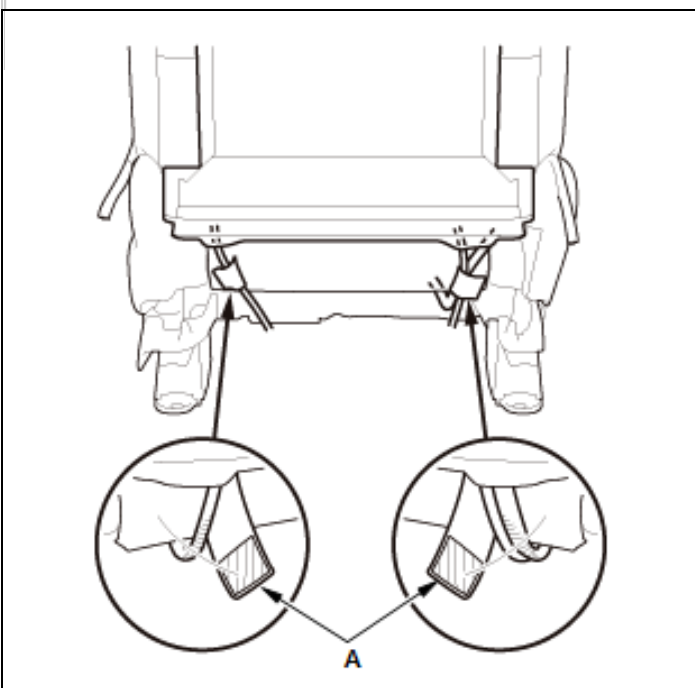


Courtesy of HONDA, U.S.A., INC. HONDA, U.S.A., INC.

5. Install the hook strips (A).



Courtesy of HONDA, U.S.A., INC.



Courtesy of HONDA, U.S.A., INC.

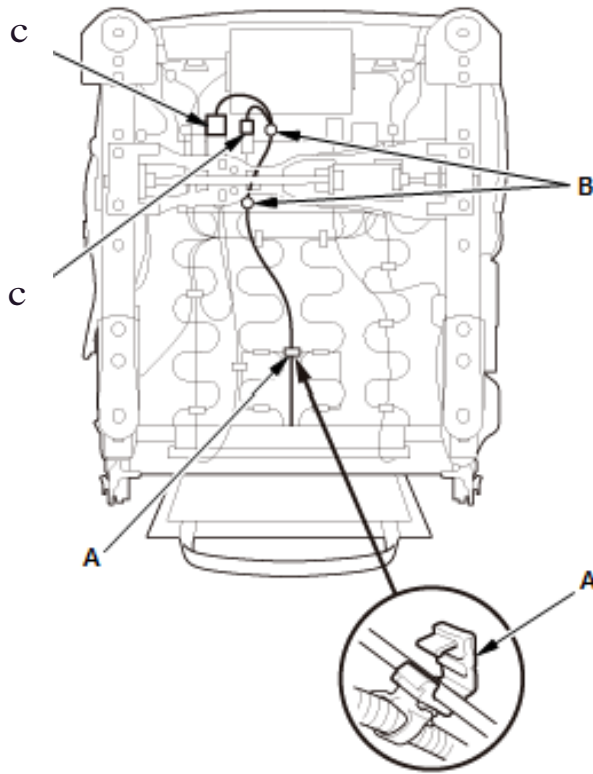
6. Install the hook and loop fasteners (A).

3. Power Seat Control Unit (Driver's Seat) - Install

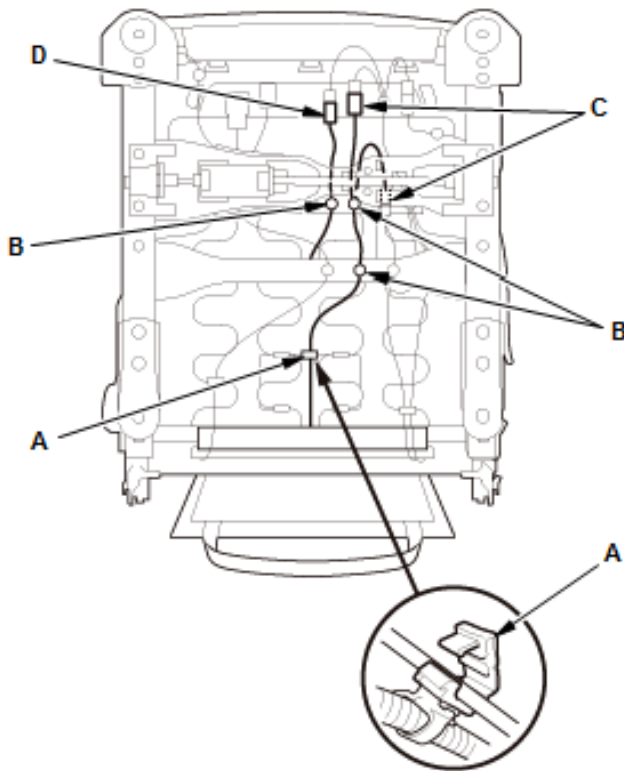
1. Install the power seat control unit .

4. Front Seat Cushion Harness -Install

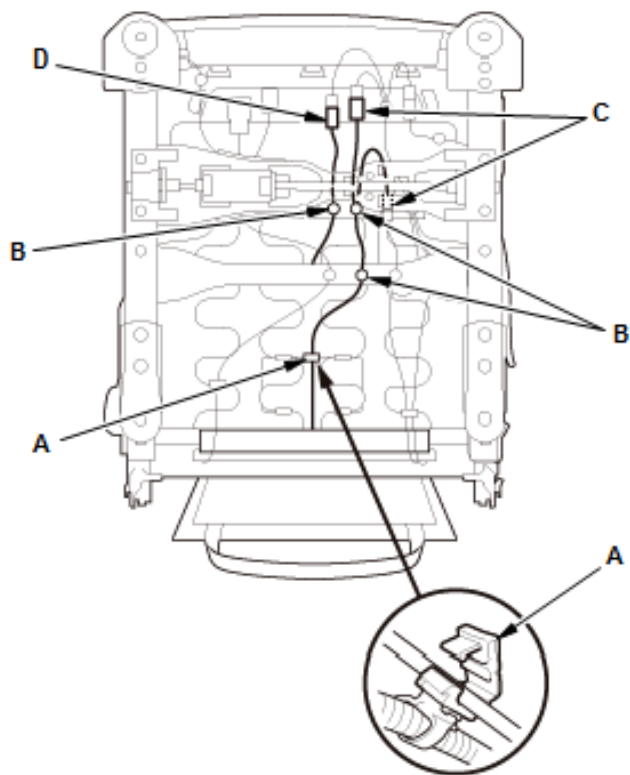
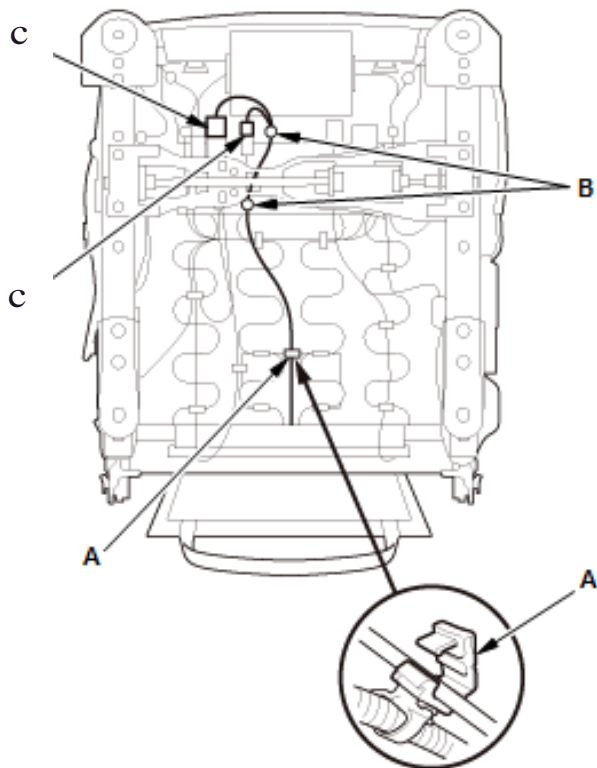
o_r_i:cve,r_'s'!s"e"at



1. Install the holder(s) (A) and the harness clips (8)
2. Connect the seat cushion heater connectors (C)
3. Passenger's seat (Mexico models): Connect the sitting switch connector (D).

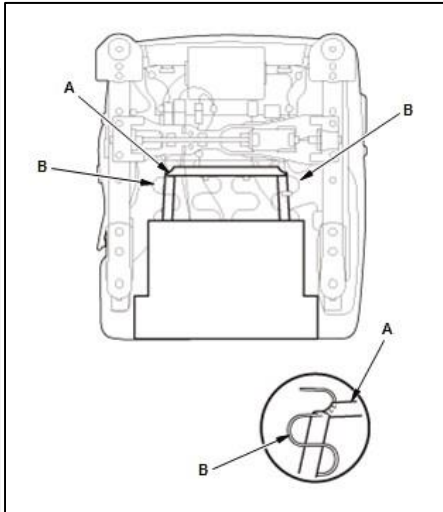


Passenger's seat



CouMsyof HONDA., U.S.A., INC.HONDA U.S.A., INC.

4. From under the seat cushion, install the elastic strap (A) to



the seat cushion frame springs (B).

Courtesy of HONDA, U.S.A., INC.

5. Front Seat Recline Cover - Install

1. Install the front seat recline cover .

6. Front Seat Center Cover - Install

1. Install the front seat center cover .

7. Front Seat - Install

1. Install the front seat - Refer to: Front Seat Removal and Installation (2013-18), or Front Seat Removal and Installation(With Ventilated Seat) (2016-18) .