

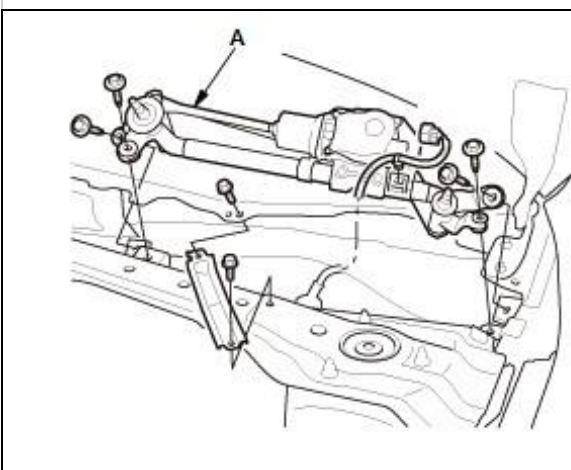
REMOVAL & INSTALLATION > WIPER MOTOR REMOVAL AND INSTALLATION (2013-17) > REMOVAL

Windshield

1. Cowl Covers - Remove

1. Remove the cowl covers .

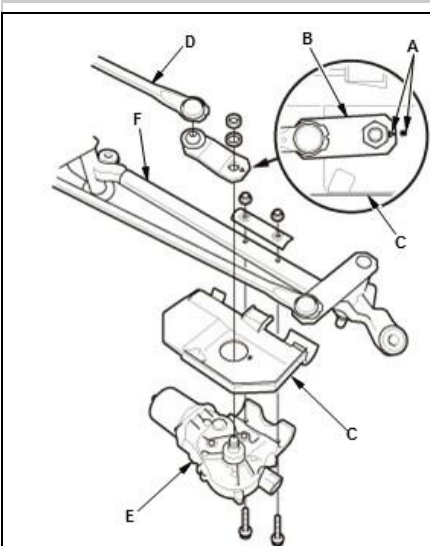
2. Linkage Assembly - Remove



1. Disconnect the windshield wiper motor connector
2. Remove the wiper linkage assembly (A).

Courtesy of HONDA, U.S.A., INC.

3. Windshield Wiper Motor - Remove



1. Note the alignment marks (A) on the link (B) and the cover (C), then remove the link
2. Remove the connection rod (D) from the link
3. Remove the wiper motor (E) and the cover from the linkage (F).

Courtesy of HONDA, U.S.A., INC.

Rear Window

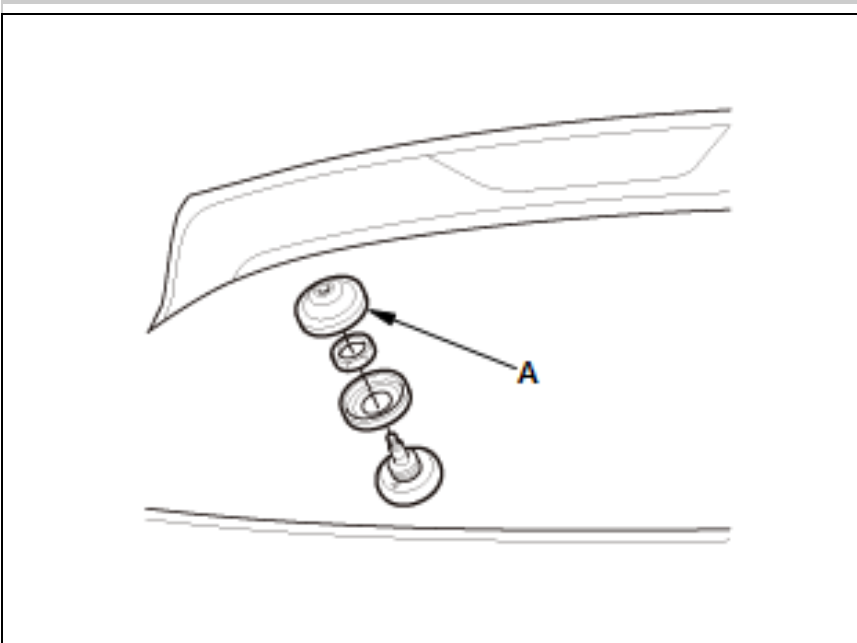
4. Tailgate Lower Trim Panel - Remove

1. Remove the tailgate lower trim panel - Refer to: Interior Trim Removal and Installation - Cargo Areas (2013-17), or Interior Trim Removal and Installation - Pillar Areas (2013-17), or Interior Trim Removal and Installation - Rear Side Area (2013-17), or Interior Trim Removal and Installation - Tailgate Areas (2013-17), or Interior Trim Removal and Installation - Door Areas (2013-17) .

5. Rear Window Wiper Arm Assembly - Remove

1. Remove the rear window wiper arm .

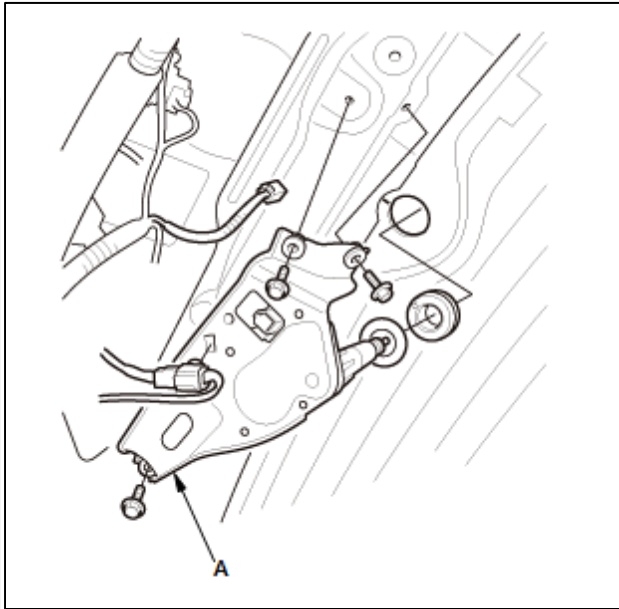
6. Rear Window Wiper Motor - Remove



1. Remove the cap (A).

Courtesy of HONDA, U.S.A., INC.

2. Disconnect the rear window wiper motor connector
3. Remove the rear window wiper motor (A).



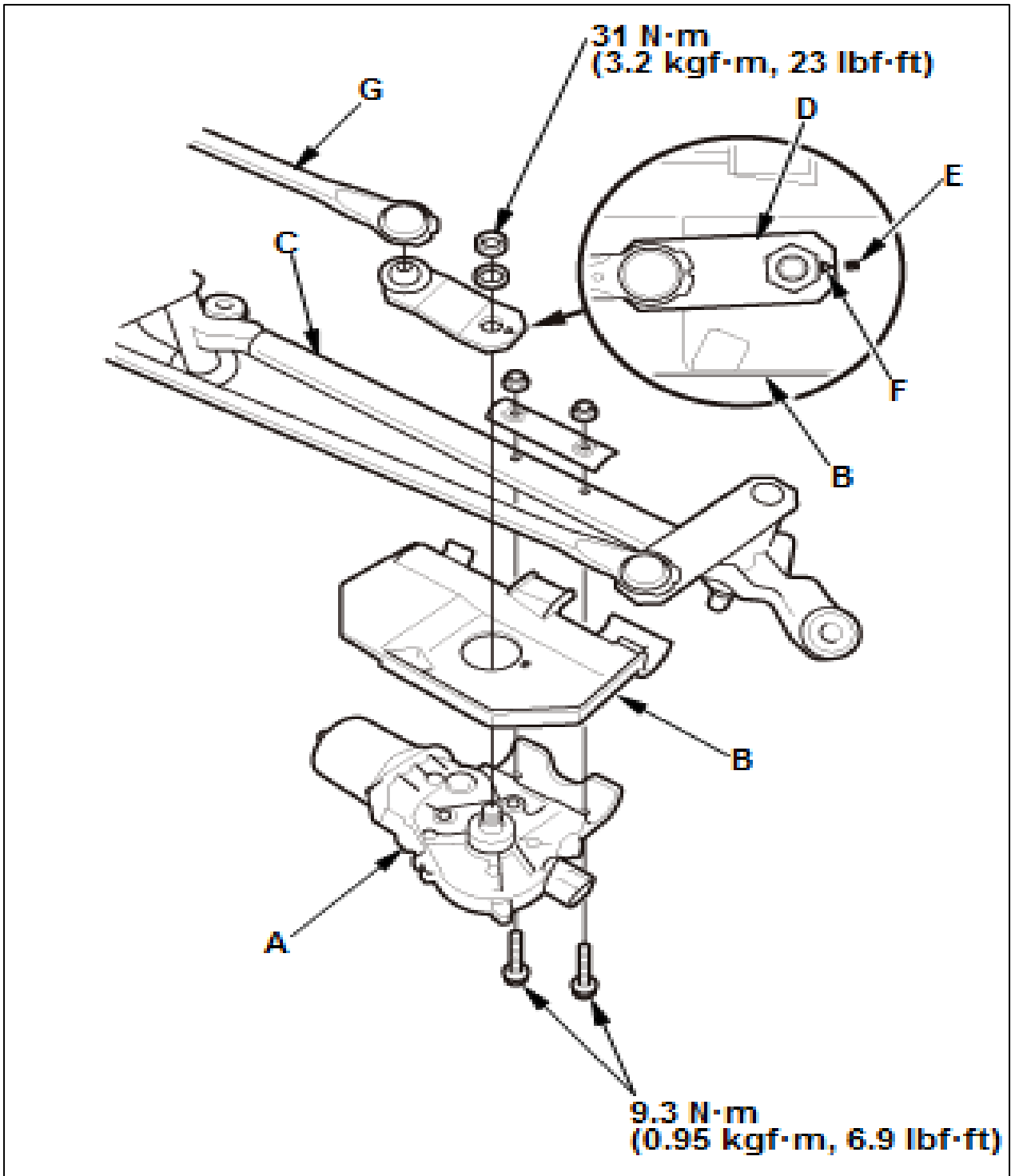
Courtesy of HONDA, U.S.A., INC.

REMOVAL & INSTALLATION > WIPER MOTOR REMOVAL AND INSTALLATION (2013-17) > INSTALLATION

Windshield

1. Windshield Wiper Motor - Install

Fig 1: Windshield Wiper Motor With Torque Specifications



Courtesy of HONDA, U.S.A., INC.

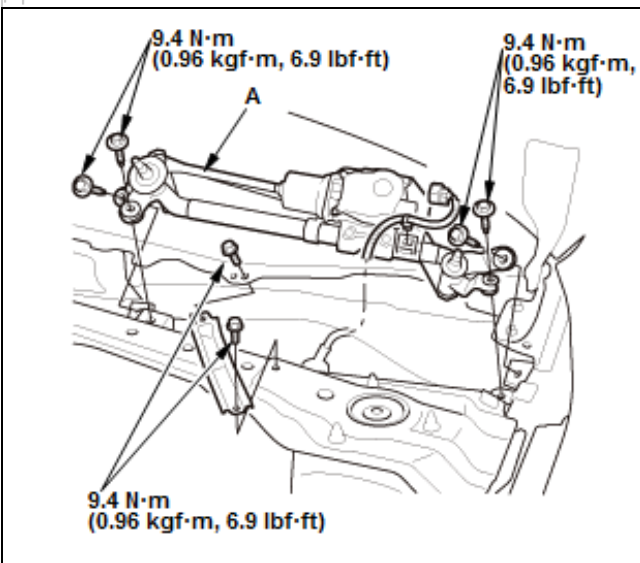
NOTE: Bolt threads are not provided on the new wiper motor. Install the wiper motor to the linkage as follows:

1. Before installing the wiper motor, connect the wiper motor connector, and turn the wiper/washer switch ON to (LO) or (HI) position, then OFF to return the wiper motor shaft to the park position.**NOTE:**

1. Do not use the windshield wiper/washer switch (INT) position in this step.
2. Apply multipurpose grease to the moving parts.

3. Check the wiper motor operation.
2. Set the wiper motor (A) and the cover (B) to the linkage (C), and tighten the bolts until the bolt head just contacts the linkage.**NOTE:**
 1. Install the provided self-tapping bolts.
 2. Keep the bolts perfectly straight while bolting them in.
 3. Do not use air tools and impact wrenches.
3. Loosen the bolts, then retighten the bolts to the specified torque
4. Install the link (D)
5. Align the mark (E) of the cover and the mark (F) of the link
6. Install the connection rod (G) to the link.

2. Linkage Assembly - Install



1. Install the wiper linkage assembly (A)
2. Connect the windshield wiper motor connector.

Courtesy of HONDA, U.S.A., INC.

3. Cowl Covers - Install

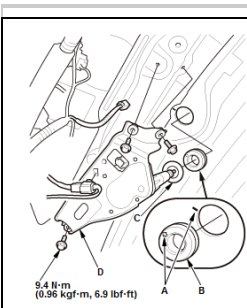
1. Install the cowl covers .

4. Windshield Wiper Arm/Nozzle - Adjustment

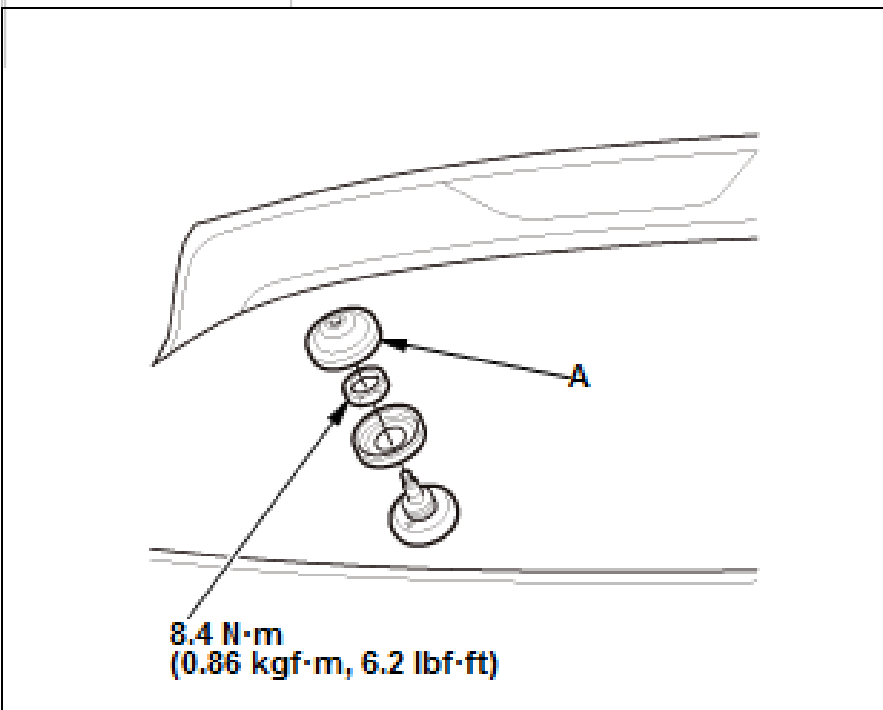
1. After installing, adjust the windshield wiper arms .

Rear Window

5. Rear Window Wiper Motor - Install



1. Before reinstalling the wiper arm, connect the rear wiper motor connector, and turn the rear window wiper switch ON, then OFF to return the wiper shaft to the park position.**NOTE:**
 1. Apply multipurpose grease to the moving parts.
 2. Check the wiper motor operation.
2. Align the position marks (A) when installing the seal (B)
3. Install the washer (C) and rear window wiper motor (D)
4. Connect the rear window wiper motor connector.



5. Install the cap (A).

6. Rear Window Wiper Arm Assembly - Install

1. Install the rear window wiper arm .

7. Rear Wiper Arm/Nozzle - Adjustment

1. After installing, adjust the rear window wiper arm .

8. Tailgate Lower Trim Panel - Install

1. Install the tailgate lower trim panel - Refer to: Interior Trim Removal and Installation - Cargo Areas (2013-17), or Interior Trim Removal and Installation - Pillar Areas (2013-17), or Interior Trim Removal and Installation - Rear Side Area (2013-17), or Interior Trim Removal and Installation - Tailgate Areas (2013-17), or Interior Trim Removal and Installation - Door Areas (2013-17) .