

## Interior Trim Removal And Installation - Rear Side Area (2013-17)

### Removal

SRS components are located in this area. Review the SRS component locations - Refer to: SRS Component Location Index (2013-17), or SRS Component Location Index (2013-17) and the precautions and procedures - Refer to: SRS Precautions and Procedures (2013-15), or SRS Precautions and Procedures (2016-17) before doing repairs or service.

#### 1. Cargo Area Cover - Remove

1. Remove the cargo area cover - Refer to: Interior Trim Removal and Installation - Cargo Areas (2013-17), or Interior Trim Removal and Installation - Pillar Areas (2013-17), or Interior Trim Removal and Installation - Rear Side Area (2013-17), or Interior Trim Removal and Installation - Tailgate Areas (2013-17), or Interior Trim Removal and Installation - Door Areas (2013-17) .

#### 2. Rear Trim Panel - Remove

1. Remove the rear trim panel - Refer to: Interior Trim Removal and Installation - Cargo Areas (2013-17), or Interior Trim Removal and Installation - Pillar Areas (2013-17), or Interior Trim Removal and Installation - Rear Side Area (2013-17), or Interior Trim Removal and Installation - Tailgate Areas (2013-17), or Interior Trim Removal and Installation - Door Areas (2013-17) .

#### 3. Rear Side Cap Trim - Remove

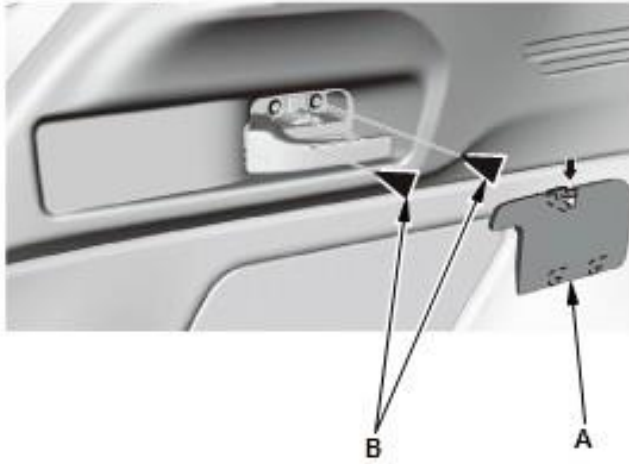
1. Remove the rear side cap trim - Refer to: Interior Trim Removal and Installation - Cargo Areas (2013-17), or Interior Trim Removal and Installation - Pillar Areas (2013-17), or Interior Trim Removal and Installation - Rear Side Area (2013-17), or Interior Trim Removal and Installation - Tailgate Areas (2013-17), or Interior Trim Removal and Installation - Door Areas (2013-17) .

#### 4. Rear Side Trim Panel - Remove

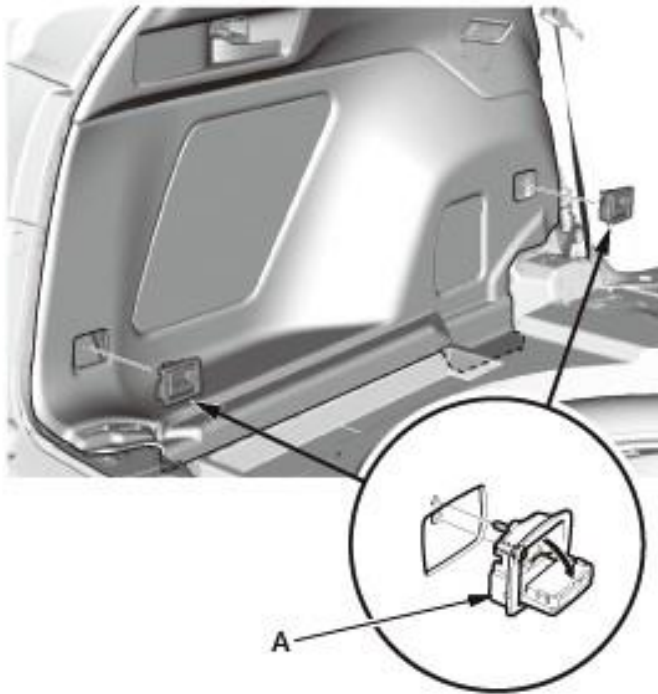
1. Remove the inner handle cap (A)  
2. Remove the screws (B).

### Fastener Locations

▶ : 2



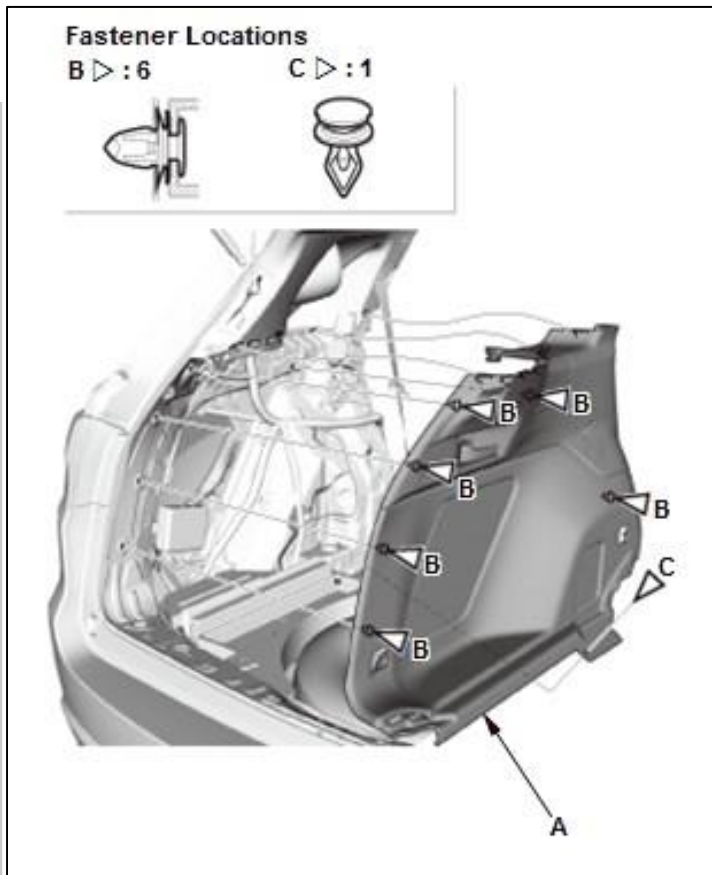
Courtesy of HONDA, U.S.A., INC.



3. Remove the cargo hooks (A).

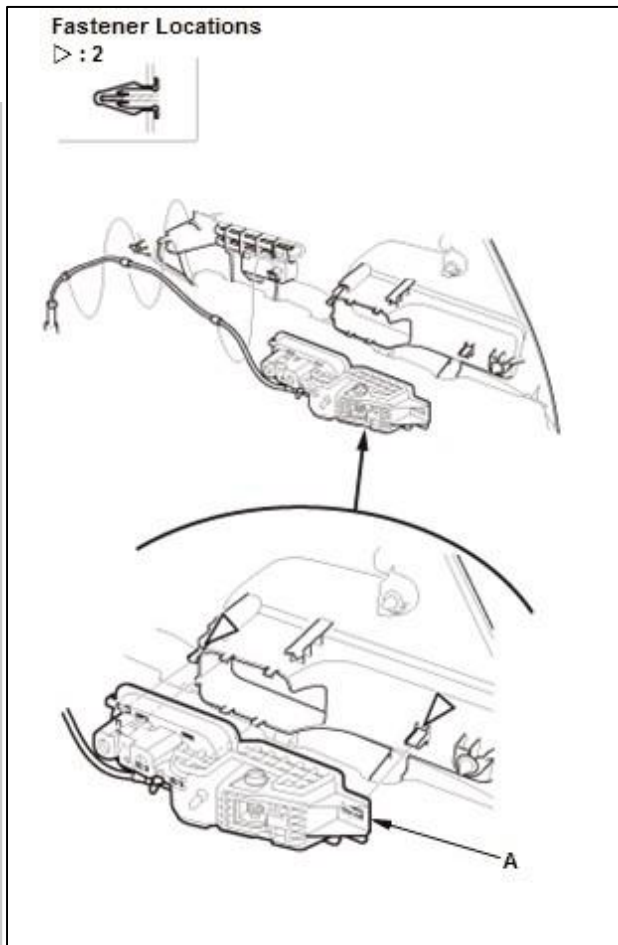
Courtesy of HONDA, U.S.A., INC.

4. Remove the rear side trim panel (A).



Courtesy of HONDA, U.S.A., INC.

5. Remove the rear seat-back release lever/cable (A).



Courtesy of HONDA, U.S.A., INC.

## Installation

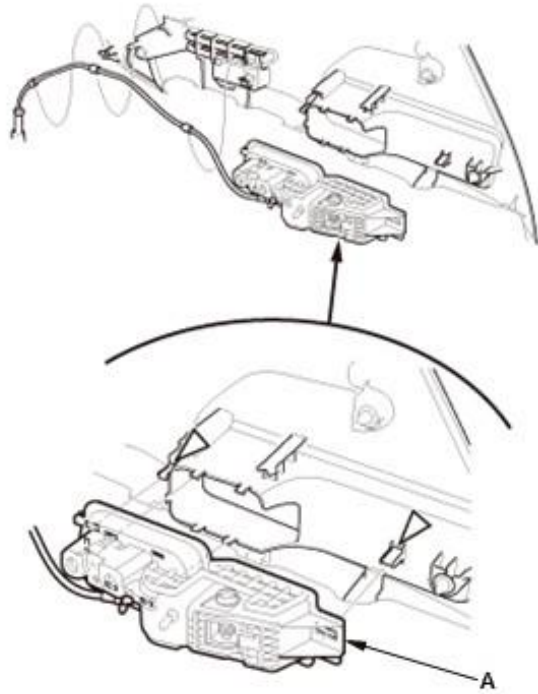
SRS components are located in this area. Review the SRS component locations - Refer to: SRS Component Location Index (2013-17), or SRS Component Location Index (2013-17) and the precautions and procedures - Refer to: SRS Precautions and Procedures (2013-15), or SRS Precautions and Procedures (2016-17) before doing repairs or service.

### 1. Rear Side Trim Panel - Install

1. Install the rear seat-back release lever/cable (A).

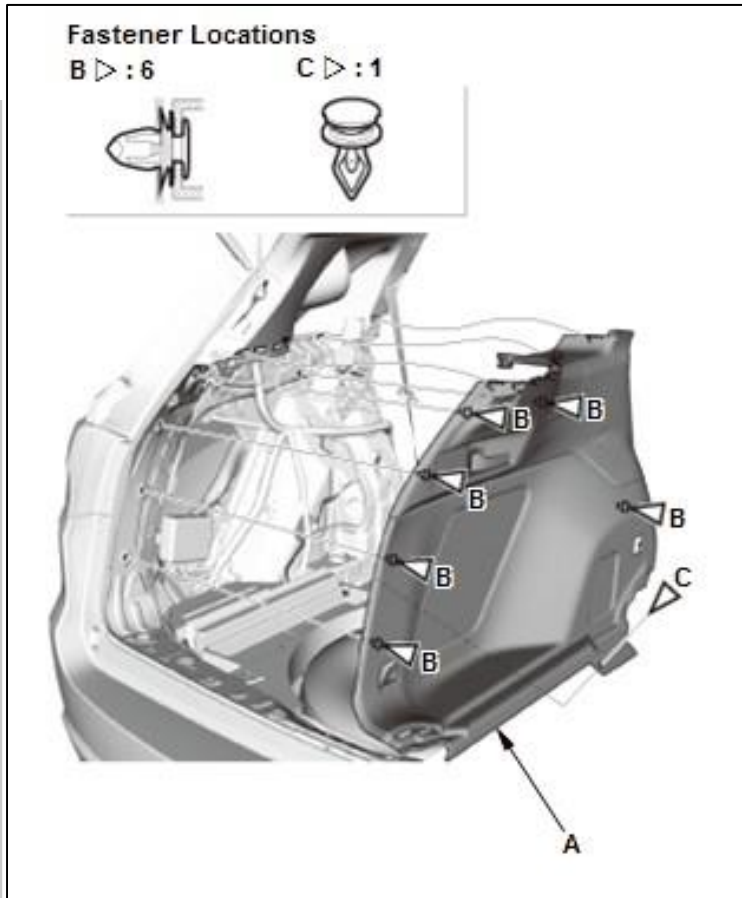
Fastener Locations

▽ : 2

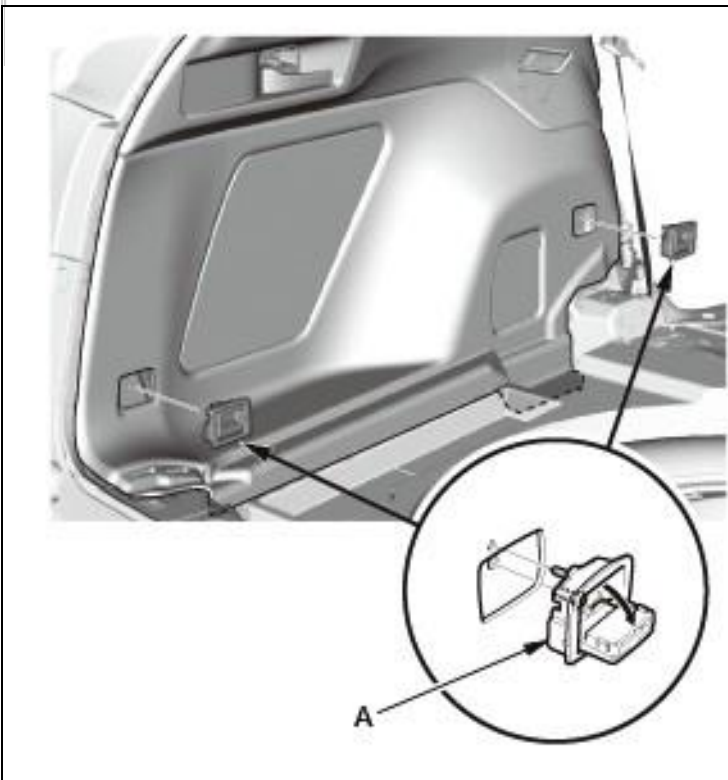


Courtesy of HONDA, U.S.A., INC.

2. Install the rear side trim panel (A).

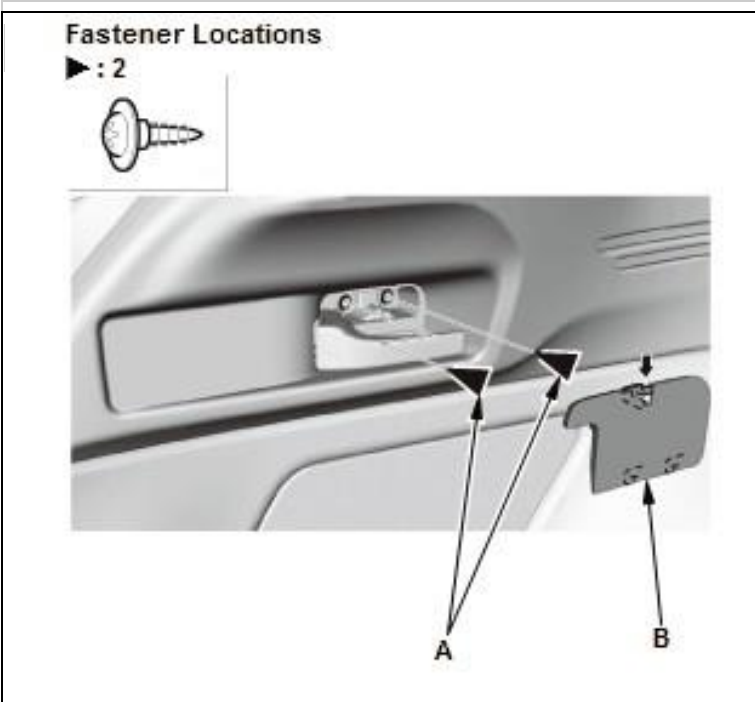


Courtesy of HONDA, U.S.A., INC.



3. Install the cargo hooks (A).

Courtesy of HONDA, U.S.A., INC.



4. Install the screws (A)
5. Install the inner handle cap (B).

Courtesy of HONDA, U.S.A., INC.

2. Rear Side Cap Trim - Install

1. Install the rear side cap trim - Refer to: Interior Trim Removal and Installation - Cargo Areas (2013-17), or Interior Trim Removal and Installation - Pillar Areas (2013-17), or Interior Trim Removal and Installation - Rear Side Area (2013-17), or Interior Trim Removal and Installation - Tailgate Areas (2013-17), or Interior Trim Removal and Installation - Door Areas (2013-17) .

3. Rear Trim Panel - Install

1. Install the rear trim panel - Refer to: Interior Trim Removal and Installation - Cargo Areas (2013-17), or Interior Trim Removal and Installation - Pillar Areas (2013-17), or Interior Trim Removal and Installation - Rear Side Area (2013-17), or Interior Trim Removal and Installation - Tailgate Areas (2013-17), or Interior Trim Removal and Installation - Door Areas (2013-17) .

4. Cargo Area Cover - Install

1. Install the cargo area cover - Refer to: Interior Trim Removal and Installation - Cargo Areas (2013-17), or Interior Trim Removal and Installation - Pillar Areas (2013-17), or Interior Trim Removal and Installation - Rear Side Area (2013-17), or Interior Trim Removal and Installation - Tailgate Areas (2013-17), or Interior Trim Removal and Installation - Door Areas (2013-17) .