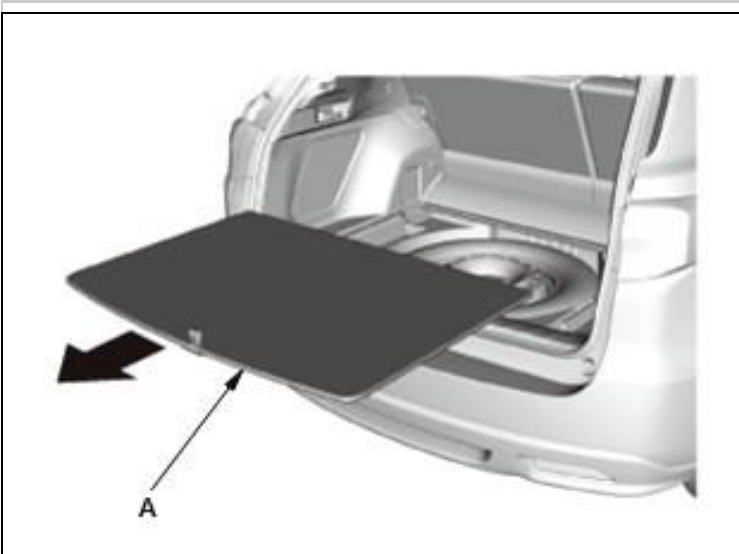


## Interior Trim Removal And Installation - Cargo Areas (2013-17)

### Removal

#### Cargo Area Floor

1. Cargo Area Floor - Remove



1. Remove the cargo area floor (A).

Courtesy of HONDA, U.S.A., INC.

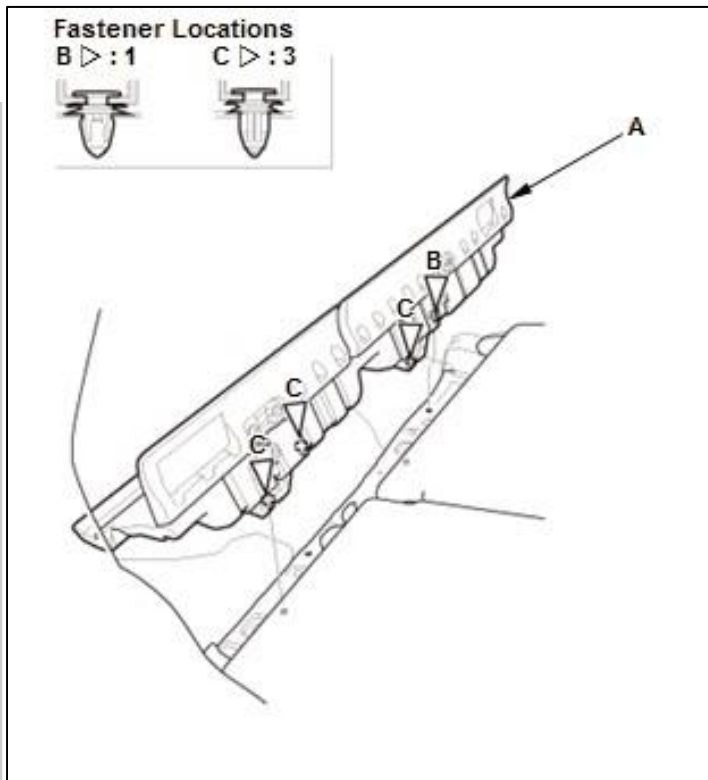
#### Cargo Area Cover

2. Cargo Area Floor - Remove

1. Remove the cargo area floor.
---------------------------------

3. Cargo Area Cover - Remove

	<ol style="list-style-type: none"><li>1. Fold down the rear seat-back forward</li><li>2. Remove the cargo area cover (A).</li></ol>
--	---



Courtesy of HONDA, U.S.A., INC.

### Rear Trim Panel

#### 4. Cargo Area Floor - Remove

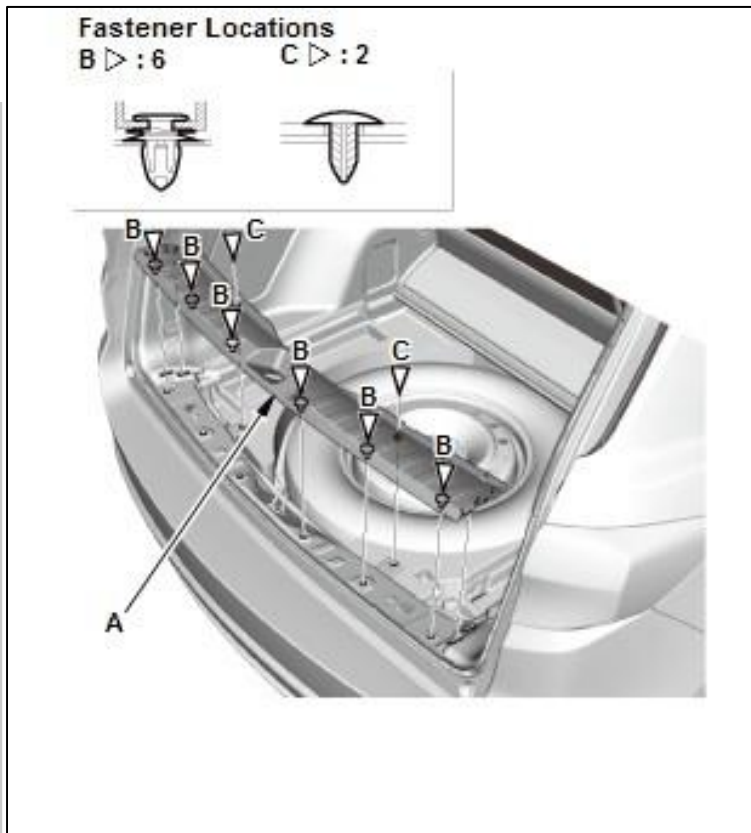
1. Remove the cargo area floor.

#### 5. Tailgate Weatherstrip - Remove (as needed)

1. Remove the tailgate weatherstrip as needed .

#### 6. Rear Trim Panel - Remove

1. Remove the rear trim panel (A).



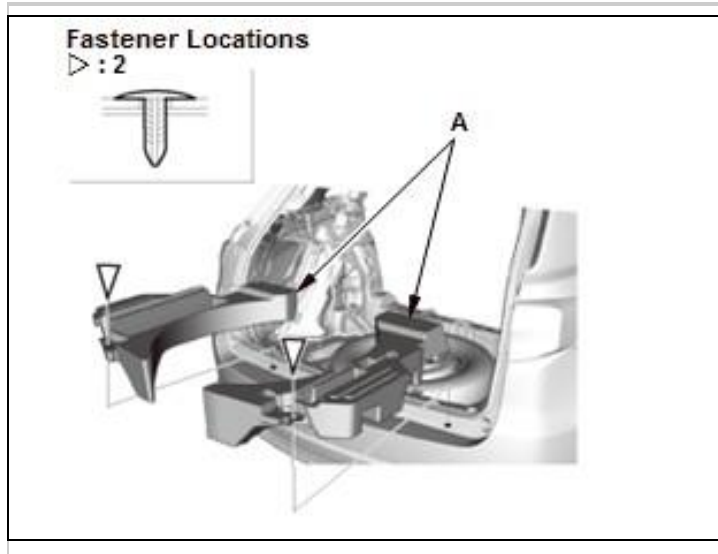
Courtesy of HONDA, U.S.A., INC.

### Cargo Area Spacer

#### 7. Rear Side Trim Panel - Remove

1. Remove the rear side trim panel - Refer to: Interior Trim Removal and Installation - Cargo Areas (2013-17), or Interior Trim Removal and Installation - Pillar Areas (2013-17), or Interior Trim Removal and Installation - Rear Side Area (2013-17), or Interior Trim Removal and Installation - Tailgate Areas (2013-17), or Interior Trim Removal and Installation - Door Areas (2013-17) .

#### 8. Cargo Area Spacer - Remove

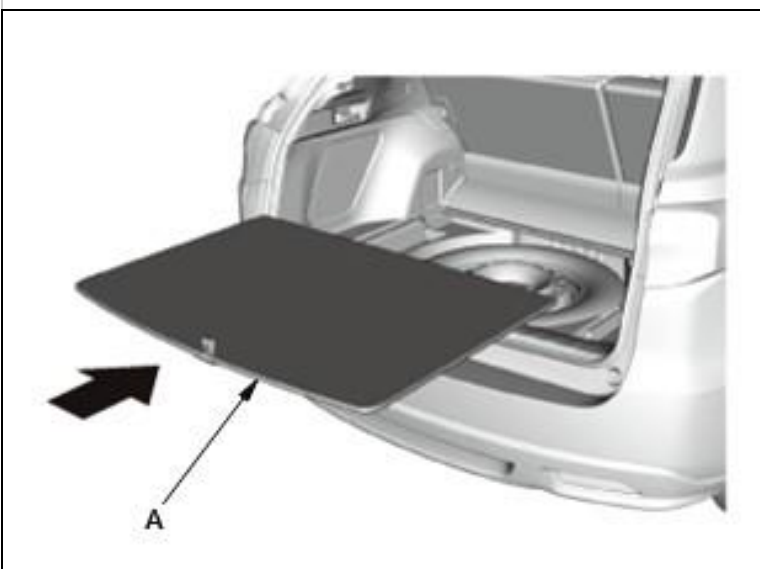


1. Remove the cargo area spacers (A).

## Installation

### Cargo Area Floor

#### 1. Cargo Area Floor - Install

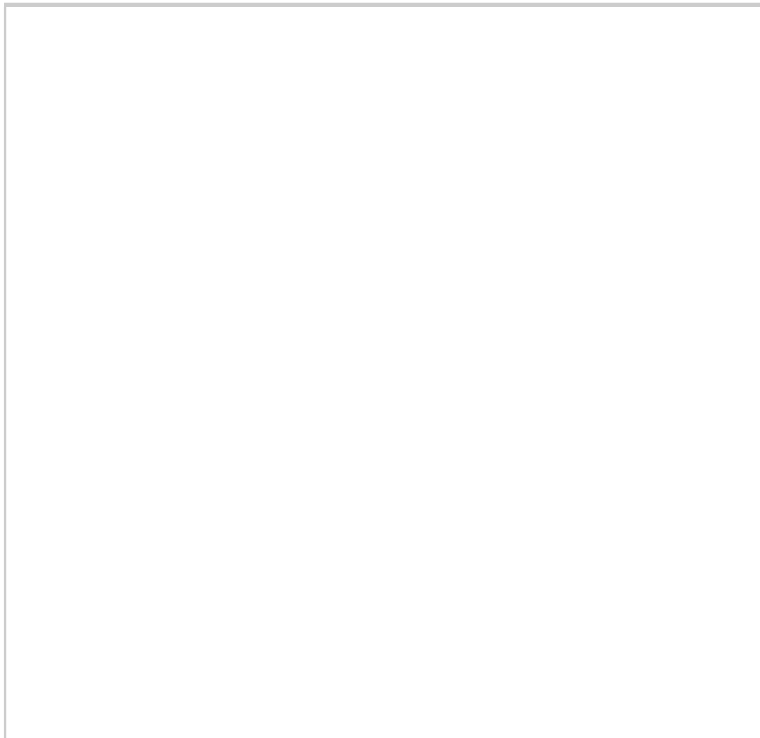


Courtesy of HONDA, U.S.A., INC.

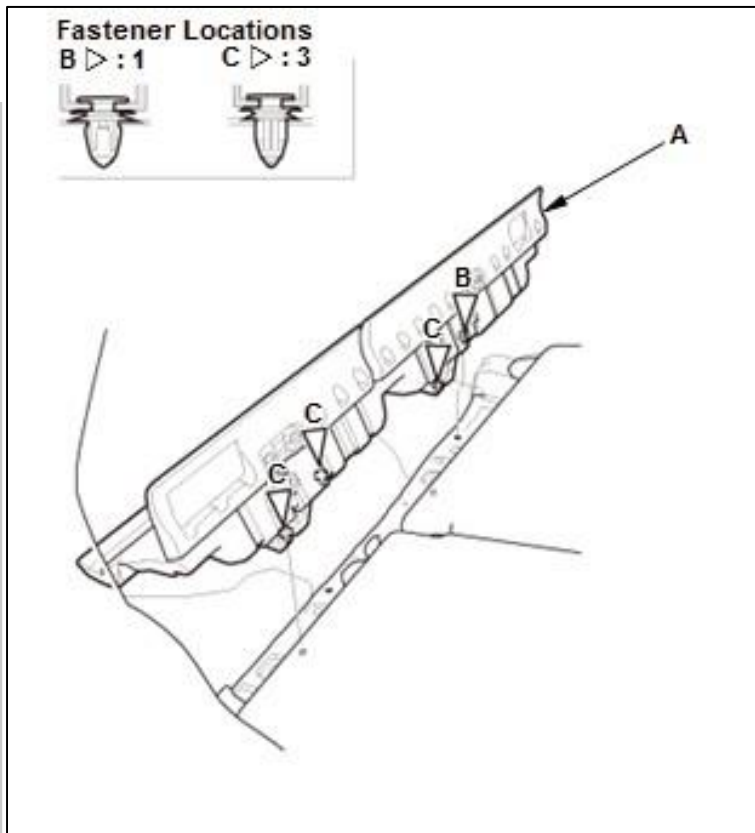
1. Install the cargo area floor (A).

### Cargo Area Cover

#### 2. Cargo Area Cover - Install



1. Install the cargo area cover (A).



Courtesy of HONDA, U.S.A., INC.

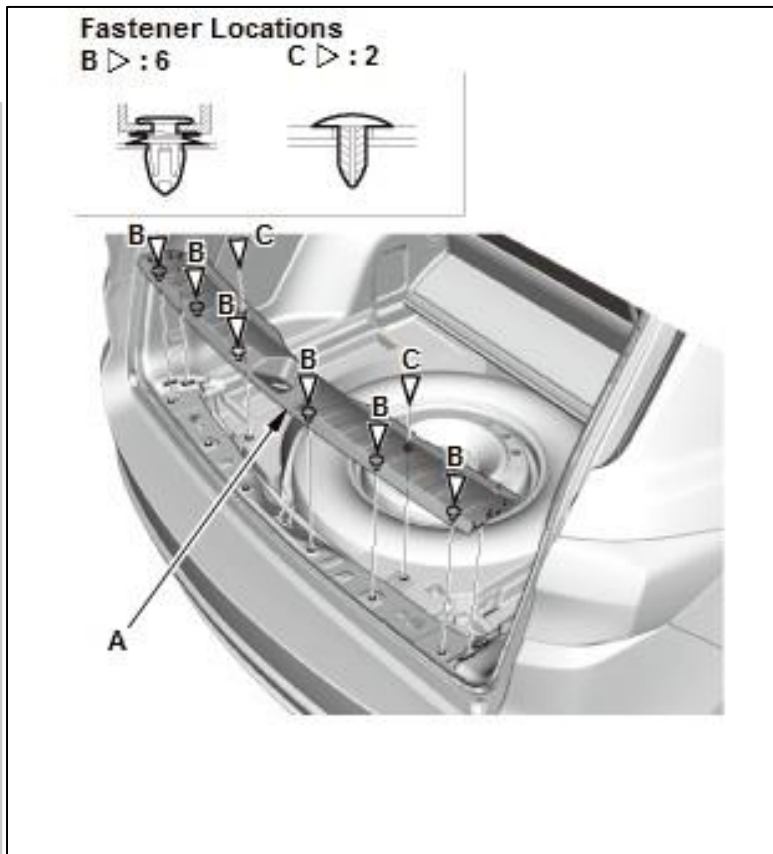
3. Cargo Area Floor - Install

1. Install the cargo area floor.

**Rear Trim Panel**

4. Rear Trim Panel - Install

1. Install the rear trim panel (A).



Courtesy of HONDA, U.S.A., INC.

5. Tailgate Weatherstrip - Install

1. Install the tailgate weatherstrip .

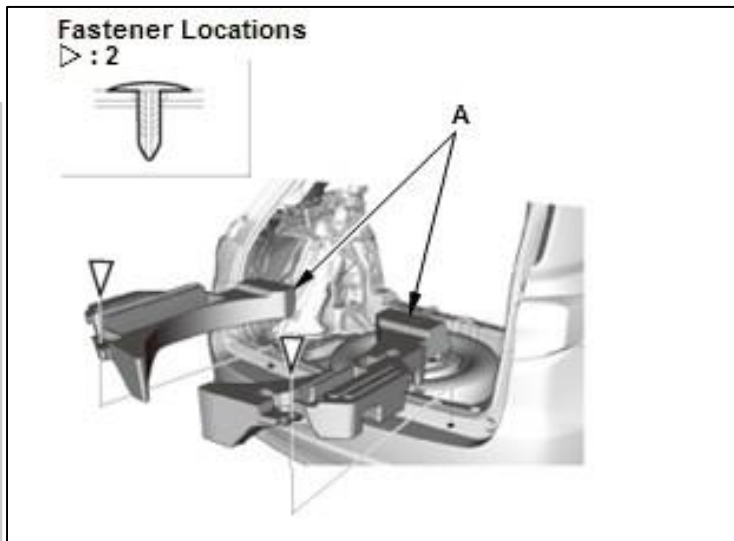
6. Cargo Area Floor - Install

1. Install the cargo area floor.

**Cargo Area Spacer**

7. Cargo Area Spacer - Install

1. Install the cargo area spacers (A).



Courtesy of HONDA, U.S.A., INC.

#### 8. Rear Side Trim Panel - Install

1. Install the rear side trim panel - Refer to: Interior Trim Removal and Installation - Cargo Areas (2013-17), or Interior Trim Removal and Installation - Pillar Areas (2013-17), or Interior Trim Removal and Installation - Rear Side Area (2013-17), or Interior Trim Removal and Installation - Tailgate Areas (2013-17), or Interior Trim Removal and Installation - Door Areas (2013-17) .