

YMMS: 2018 Acura RDX Base  
Engine: 3.5L Eng  
VIN:

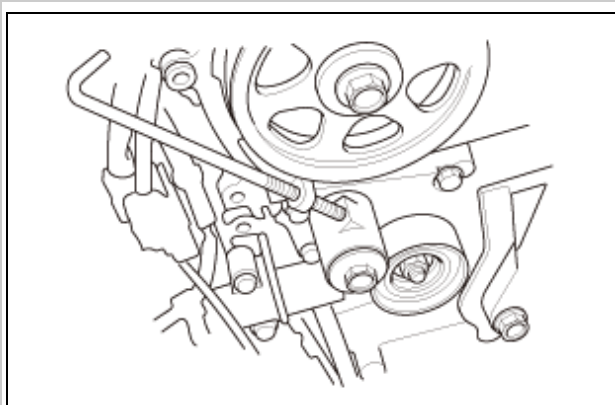
Oct 17, 2019  
License:  
Odometer:

## REMOVAL & INSTALLATION > TIMING BELT AUTO-TENSIONER REMOVAL AND INSTALLATION (2013-15) > REMOVAL

### 1. Timing Belt - Remove

1. Remove the timing belt .

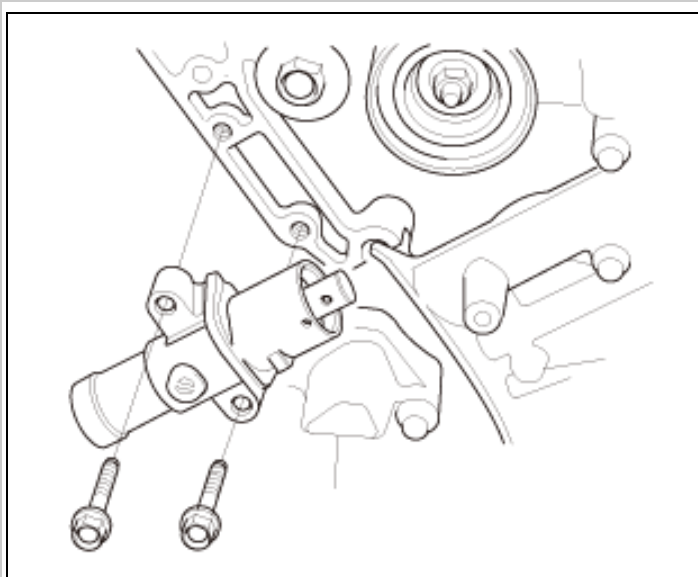
### 2. Battery Clamp Bolt - Remove



Courtesy of HONDA, U.S.A., INC.

1. Remove the battery clamp bolt from the back cover.

### 3. Timing Belt Auto-Tensioner - Remove



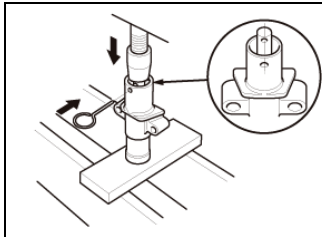
Courtesy of HONDA, U.S.A., INC.

1. Remove the timing belt auto-tensioner.

## REMOVAL & INSTALLATION > TIMING BELT AUTO-TENSIONER REMOVAL AND INSTALLATION (2013-15) > INSTALLATION

**NOTE:** Clean the timing belt pulleys, the timing belt guide plate, and the upper and lower covers.

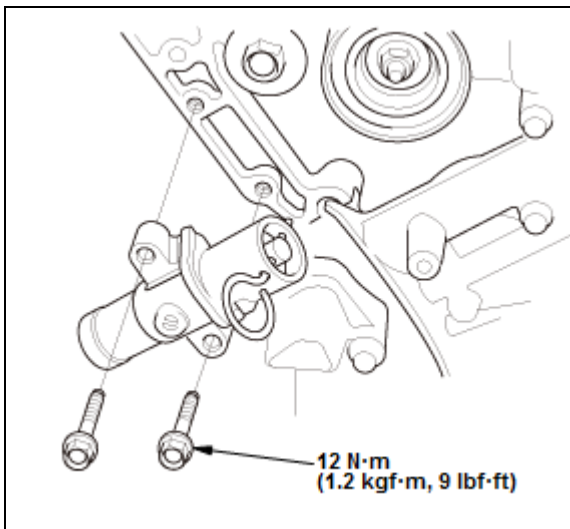
### 1. Timing Belt Auto-Tensioner - Install



Courtesy of HONDA, U.S.A., INC.

1. Align the holes on the rod and the housing of the timing belt auto-tensioner
2. Use a hydraulic press to slowly compress the timing belt auto-tensioner. Insert a 2.0 mm (5/64 in) pin through the housing and the rod.

**NOTE:** The compression pressure should not exceed 9,800 N (999.3 kgf, 2,203.1 lbf).



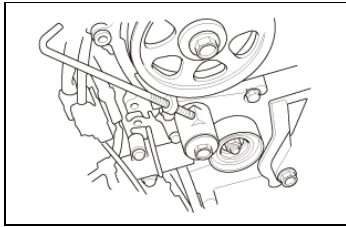
Courtesy of HONDA, U.S.A., INC.

3. Install the timing belt auto-tensioner.

**NOTE:** Make sure the pin stays in place.

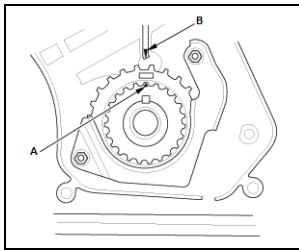
### 2. Timing Belt Adjuster - Hold

1. Thread the battery clamp bolt in as shown to hold the timing belt adjuster in its current position. Tighten it by hand, do not use a wrench.



Courtesy of HONDA, U.S.A., INC.

### 3. No. 1 Piston at Top Dead Center - Set (Crank Side)

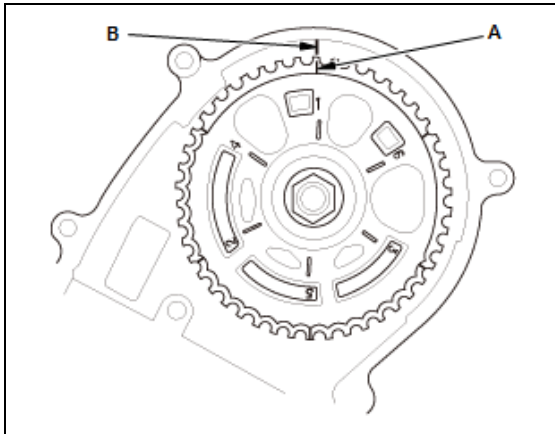


1. Set the timing belt drive pulley to top dead center (TDC) by aligning the TDC mark (A) on the tooth of the timing belt drive pulley with the pointer (B) on the oil pump.

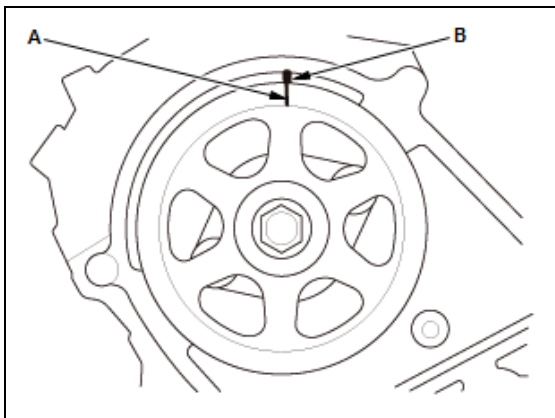
Courtesy of HONDA, U.S.A.,  
INC.

### 4. No. 1 Piston at Top Dead Center - Set (Cam Side)

**FRONT**

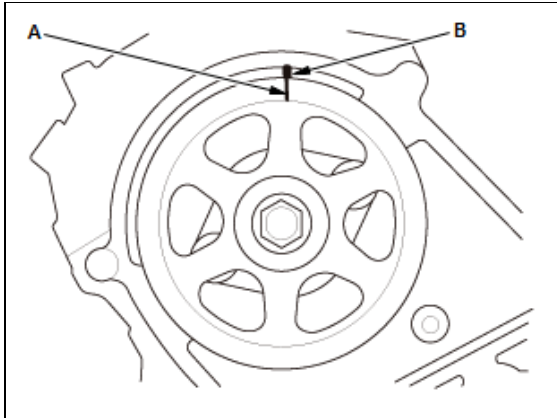
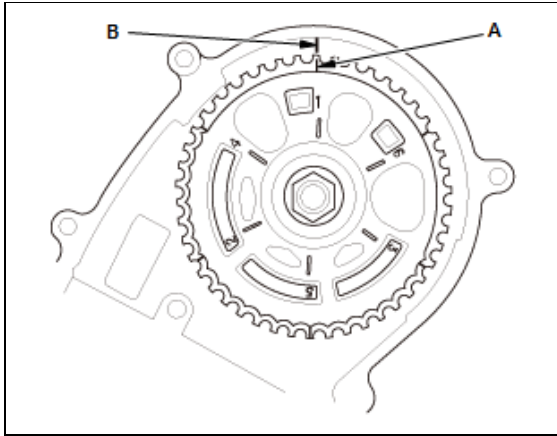


1. Set the camshaft pulleys to TDC by aligning the TDC marks (A) on the camshaft pulleys with the pointers (B) on the back covers.



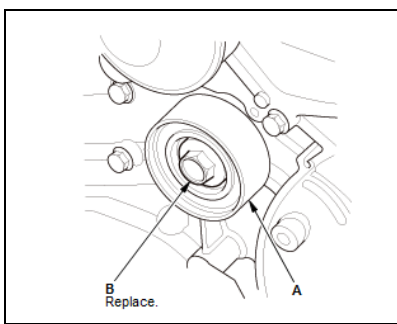
Courtesy of HONDA, U.S.A., INC. HONDA, U.S.A., INC.

## REAR



Courtesy of HONDA, U.S.A., INC. HONDA, U.S.A., INC.

### 5. Idler Pulley - Loosely Install



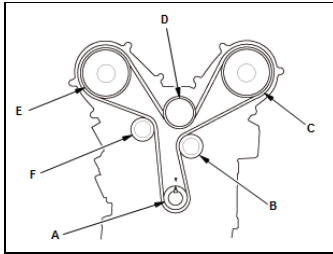
Courtesy of HONDA, U.S.A., INC.

1. Loosely install the idler pulley (A) with a new idler pulley bolt (B) so the pulley can move but does not come off.

### 6. Timing Belt - Install

1. Install the timing belt in a counterclockwise sequence starting with the drive pulley. Take care not to damage the timing belt during installation:

1. Drive pulley (A)
2. Idler pulley (B)

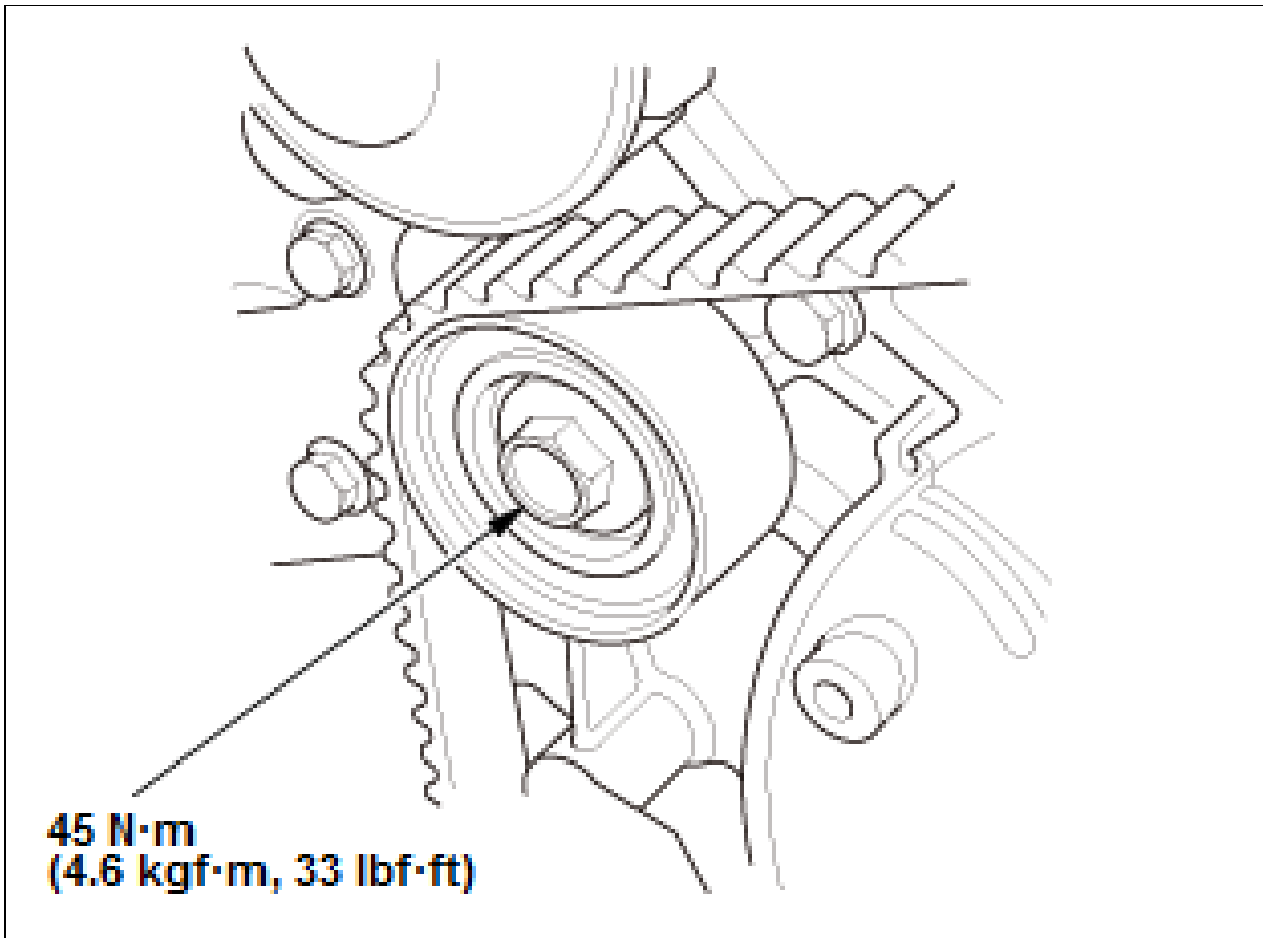


Courtesy of HONDA, U.S.A., INC.

3. Front camshaft pulley (C)
4. Water pump pulley (D)
5. Rear camshaft pulley (E)
6. Adjusting pulley (F)

### 7. Idler Pulley Bolt - Tighten

Fig 1: Idler Pulley Bolt With Torque Specifications

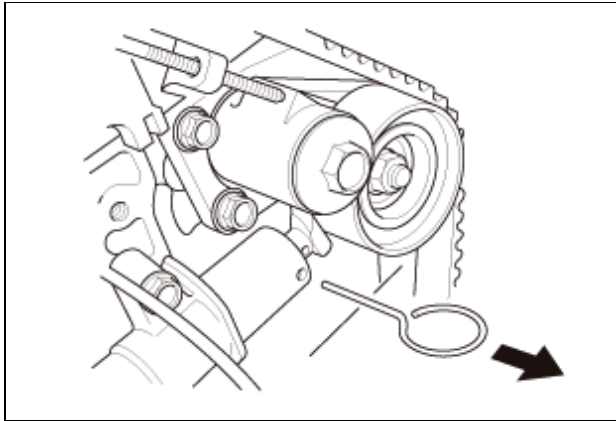


Courtesy of HONDA, U.S.A., INC.

1. Tighten the idler pulley bolt.

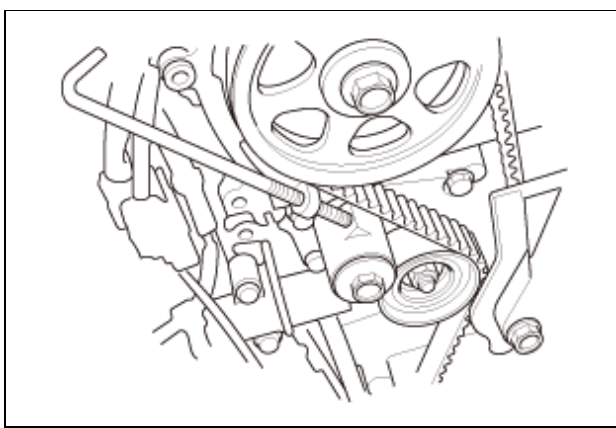
### 8. Pin - Remove

	<ol style="list-style-type: none"> <li>1. Remove the pin from the timing belt auto-tensioner.</li> </ol>
--	--



Courtesy of HONDA, U.S.A., INC.

### 9. Battery Clamp Bolt - Remove

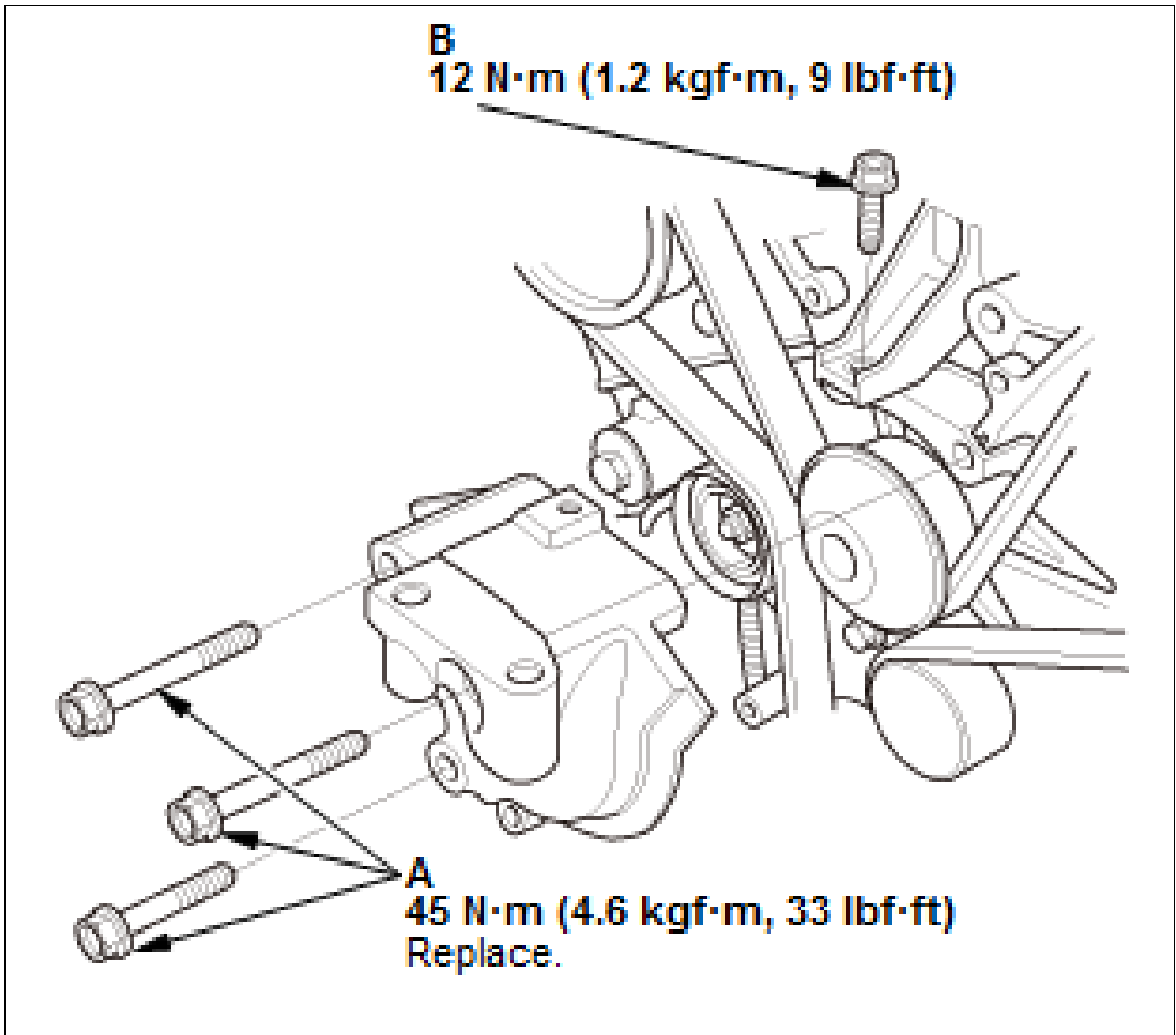


Courtesy of HONDA, U.S.A., INC.

1. Remove the battery clamp bolt from the back cover.

### 10. Side Engine Mount Bracket - Install

Fig 2: Side Engine Mount Bracket With Torque Specifications

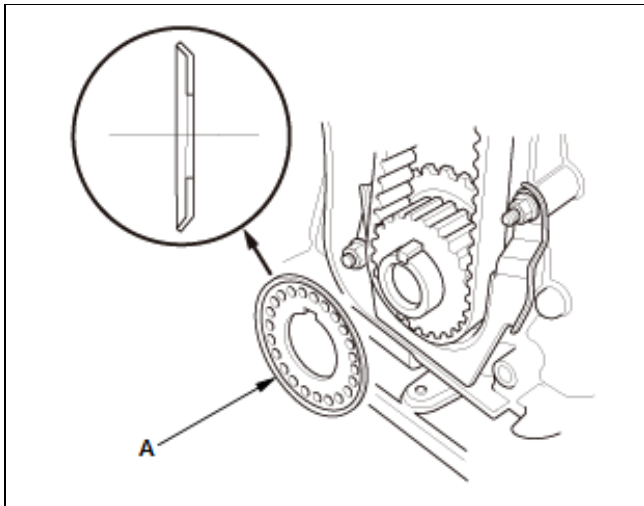


Courtesy of HONDA, U.S.A., INC.

1. Install the lower half of the side engine mount bracket using new bolts (A) and bolt (B).

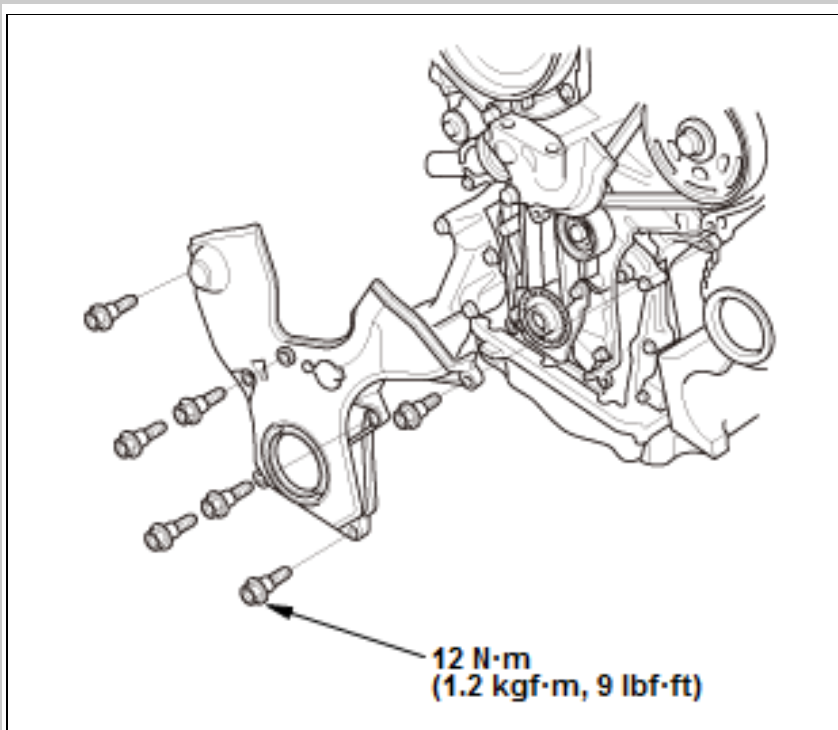
11. Timing Belt Guide Plate - Install

	<p>1. Install the timing belt guide plate (A) as shown.</p>
--	---



Courtesy of HONDA, U.S.A., INC.

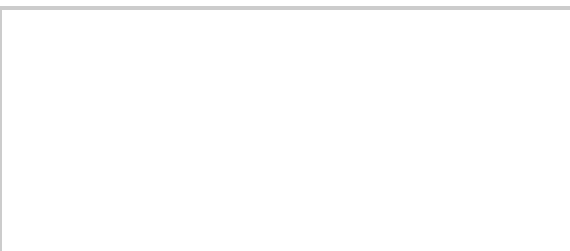
## 12. Lower Cover - Install



Courtesy of HONDA, U.S.A., INC.

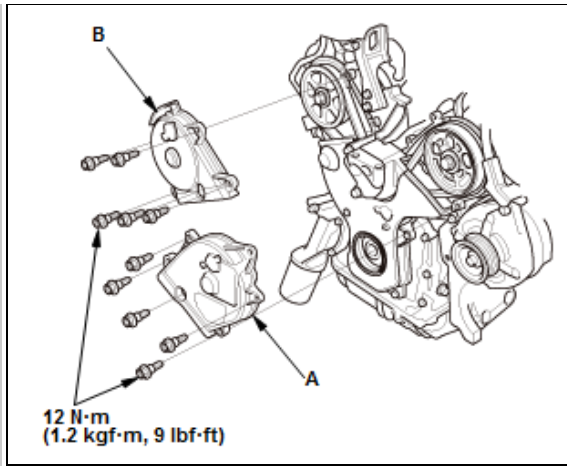
1. Install the lower cover.

## 13. Upper Cover - Install



1. Install the front upper cover (A) and the rear upper cover (B).





Courtesy of HONDA, U.S.A., INC.

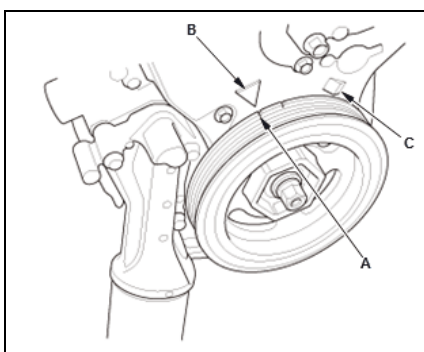
#### 14. Side Engine Mount Bracket - Install

1. Install the upper half of the side engine mount bracket.

#### 15. Crankshaft Pulley - Install

1. Install the crankshaft pulley .

#### 16. Camshaft Timing - Check



Courtesy of HONDA, U.S.A., INC.

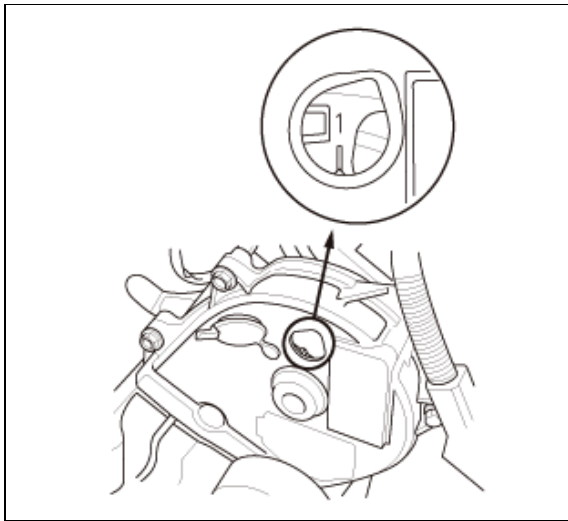
1. Rotate the crankshaft pulley about six turns clockwise so the timing belt positions itself on the pulleys
2. Turn the crankshaft pulley so its white mark (A) lines up with the pointer (B).

**NOTE:** *The other pointer (C) is not used.*

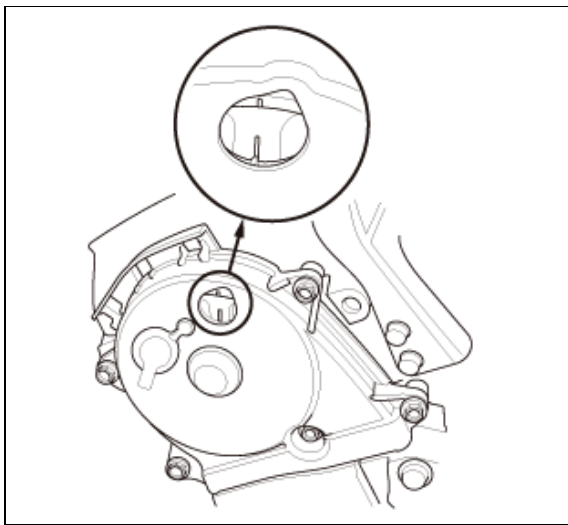
#### FRONT

3. Check the camshaft pulley marks.

**NOTE:** *If the marks are not aligned, rotate the crankshaft 360 degrees, and recheck the camshaft pulley mark:*

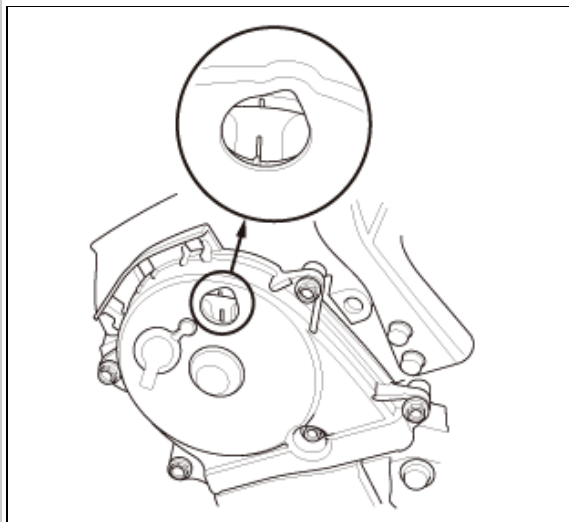


1. If the camshaft pulley marks are at TDC, go to drive belt auto-tensioner install.
2. If the camshaft pulley marks are not at TDC, remove the timing belt and reinstall the timing belt.



Courtesy of HONDA, U.S.A., INC.HONDA, U.S.A., INC.

**REAR**



Courtesy of HONDA, U.S.A., INC.HONDA, U.S.A., INC.

#### 17. Drive Belt Auto-Tensioner - Install

1. Install the drive belt auto-tensioner .

#### 18. Engine Undercover - Install

1. Install the engine undercover .

#### 19. Right Front Wheel - Install

1. Install the right front wheel .

#### 20. CKP Pattern - Clear/Learn

1. Do the CKP pattern clear/CKP pattern learn procedure .