

YMMS: 2018 Acura RDX Base  
Engine: 3.5L Eng  
VIN:

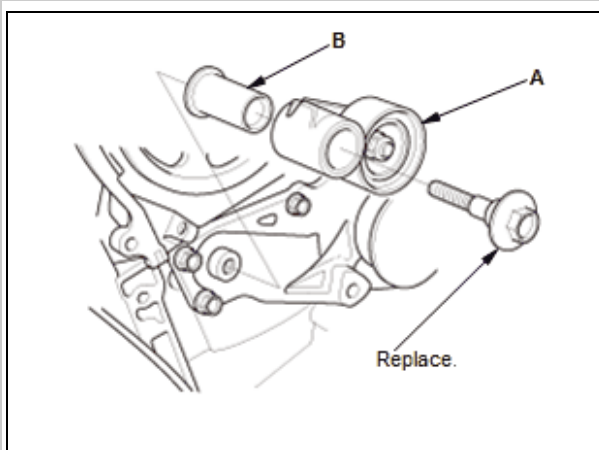
Oct 17, 2019  
License:  
Odometer:

## REMOVAL & INSTALLATION > TIMING BELT ADJUSTER REMOVAL AND INSTALLATION (2013-18) > REMOVAL

### 1. Timing Belt Auto-Tensioner - Remove

1. Remove the timing belt auto-tensioner - Refer to: Timing Belt Auto-Tensioner Removal and Installation (2013-15), or Timing Belt Auto-Tensioner Removal and Installation (2016-18) .

### 2. Timing Belt Adjuster - Remove



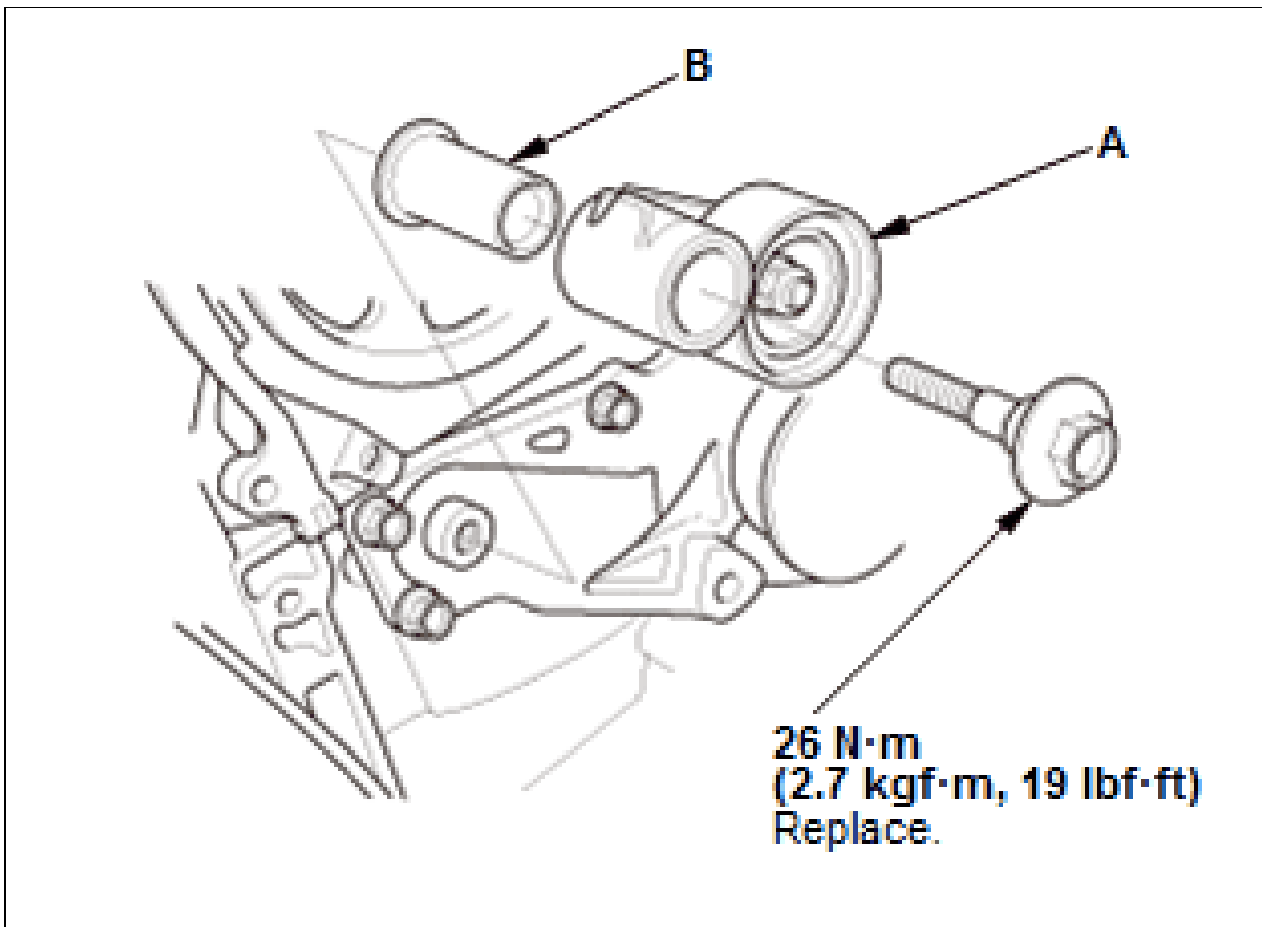
Courtesy of HONDA, U.S.A., INC.

1. Remove the timing belt adjuster (A) and the collar (B).

## REMOVAL & INSTALLATION > TIMING BELT ADJUSTER REMOVAL AND INSTALLATION (2013-18) > INSTALLATION

### 1. Timing Belt Adjuster - Install

Fig 1: Timing Belt Adjuster With Torque Specifications



Courtesy of HONDA, U.S.A., INC.

1. Install the timing belt adjuster (A) and the collar (B).
2. Timing Belt Auto-Tensioner - Install

1. Install the timing belt auto-tensioner - Refer to: Timing Belt Auto-Tensioner Removal and Installation (2013-15), or Timing Belt Auto-Tensioner Removal and Installation (2016-18) .