

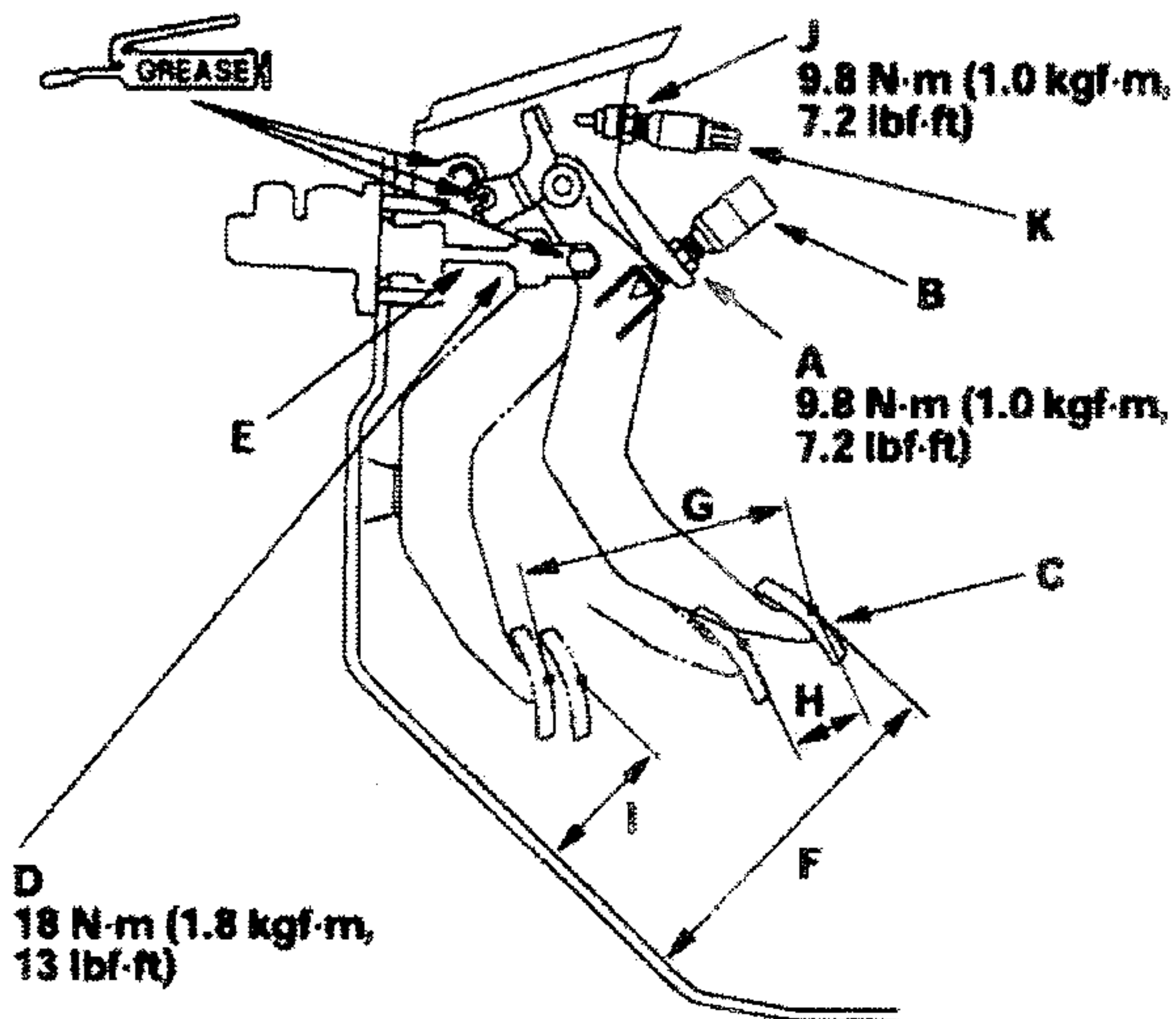
Clutch

Clutch Pedal, Clutch Pedal Position Switch, and Clutch Interlock Switch Adjustment

NOTE:

- To check the clutch pedal position switch (see page 4-44).
- To check the clutch interlock switch (see page 4-6).
- Remove the driver's side floor mat before adjusting the clutch pedal.
- The clutch is self-adjusting to compensate for wear.
- If there is no clearance between the master cylinder piston and push rod, the release bearing will be held against the diaphragm spring, which can result in clutch slippage or other clutch problems.

1. Loosen the clutch pedal position switch locknut (A), and back off the clutch pedal position switch (B) until it no longer touches the clutch pedal (C).



2. Loosen the clutch push-rod locknut (D), and turn the push rod (E) in or out to get the specified height (F), stroke (G), free play (H) and disengagement height (I) at the clutch pedal.

Clutch Pedal Stroke:	142.5 – 152.5 mm (5.61 – 6.00 in.)
Clutch Pedal Free Play:	10 – 18 mm (0.39 – 0.71 in.)
Clutch Pedal Height:	190 mm (7.48 in.)
Clutch Pedal Disengagement Height:	79 mm (3.11 in.)

3. Tighten the clutch push-rod locknut (D).
4. With the clutch pedal released, turn the clutch pedal position switch (B) in until it contacts the clutch pedal (C).
5. Turn the clutch pedal position switch (B) in an additional 3/4 to 1 turn.
6. Tighten the clutch pedal position switch locknut (A).
7. Press the clutch pedal to the floor.
8. Release the clutch pedal 10–16 mm (0.39–0.63 in.) from the fully depressed position, and hold it there. Adjust the position of the clutch interlock switch (K) so that the engine will start with the clutch pedal in this position.
9. Tighten the clutch interlock switch locknut (J).