

Seat Belts

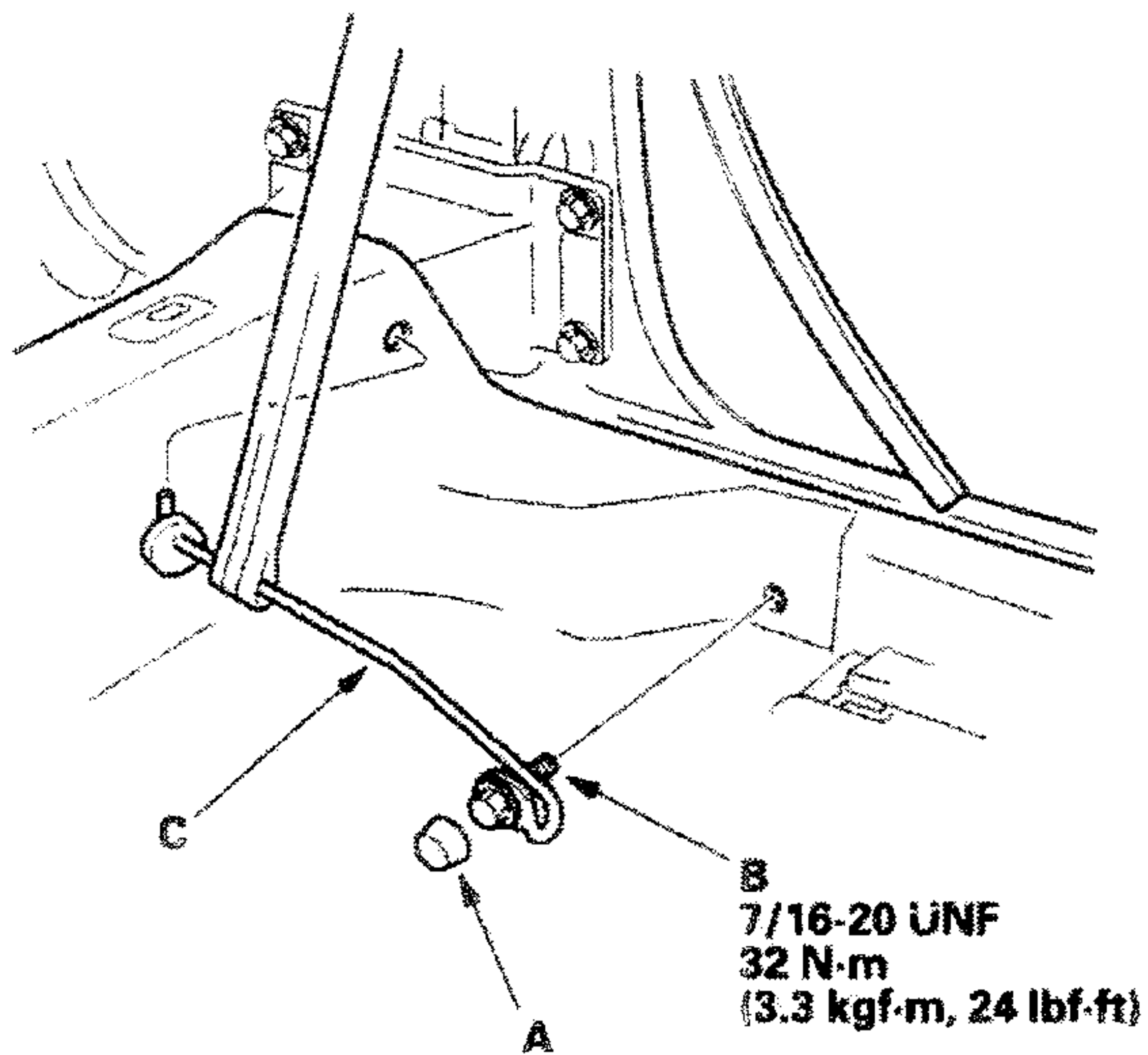
Front Seat Belt Replacement

SRS components are located in this area. Review the SRS component locations (see page 23-11), and precautions and procedures (see page 23-12) in the SRS section before performing repairs or service.

NOTE: Check the front seat belts for damage, and replace them if necessary. Be careful not to damage them during removal and installation.

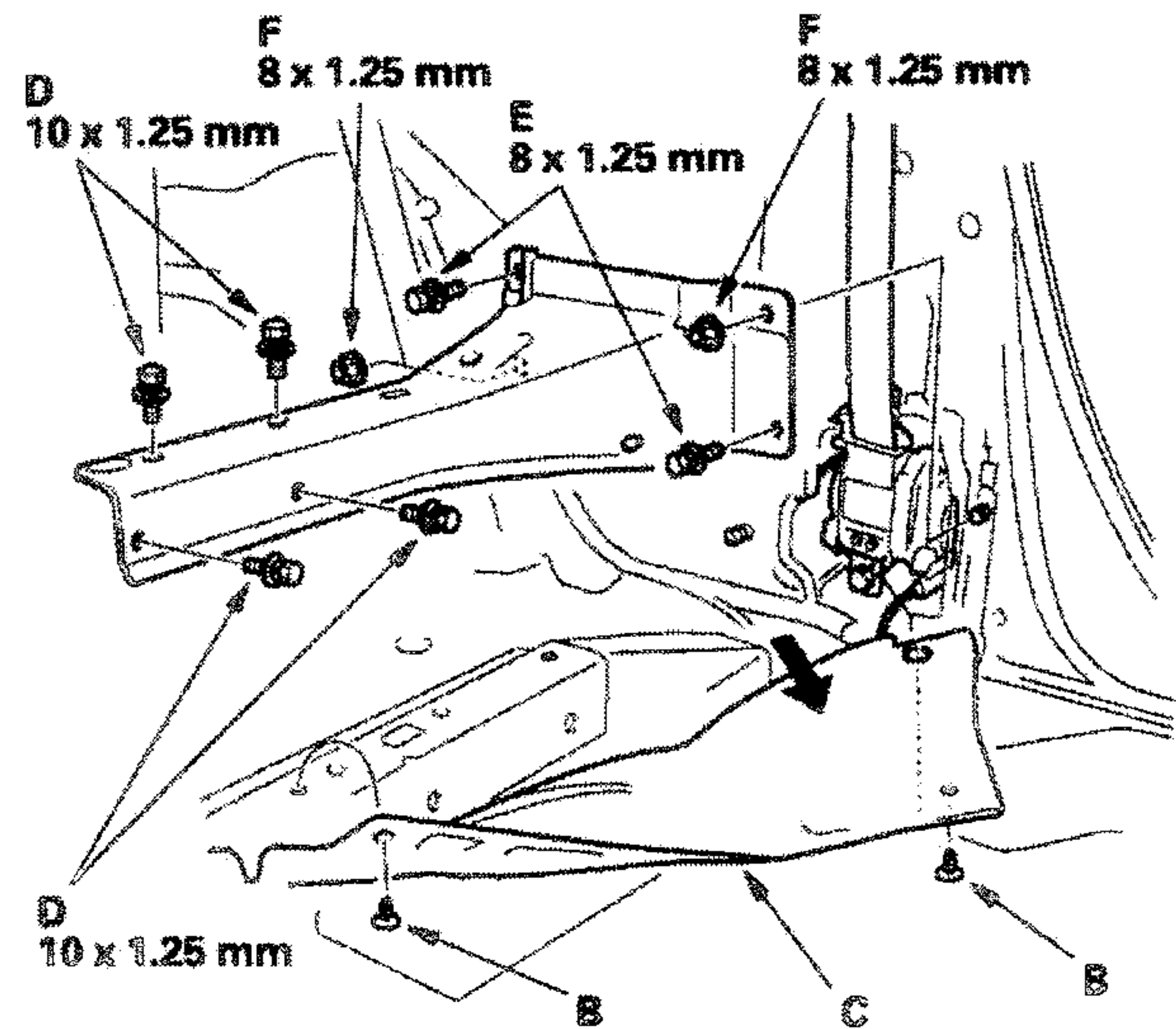
Front Seat Belt

1. Make sure you have the anti-theft code for the radio, then write down the frequencies for the preset buttons.
2. Slide the front seat forward fully.
3. Disconnect the negative battery cable, and wait at least 3 minutes before beginning work.
4. Remove these items (see page 20-83):
 - Rear seat-back
 - Rear seat cushions
5. Remove the rear side trim panel (see page 20-51).
6. Remove the lower anchor cap (A) and lower anchor bolt (B), then remove the slide bar (C).

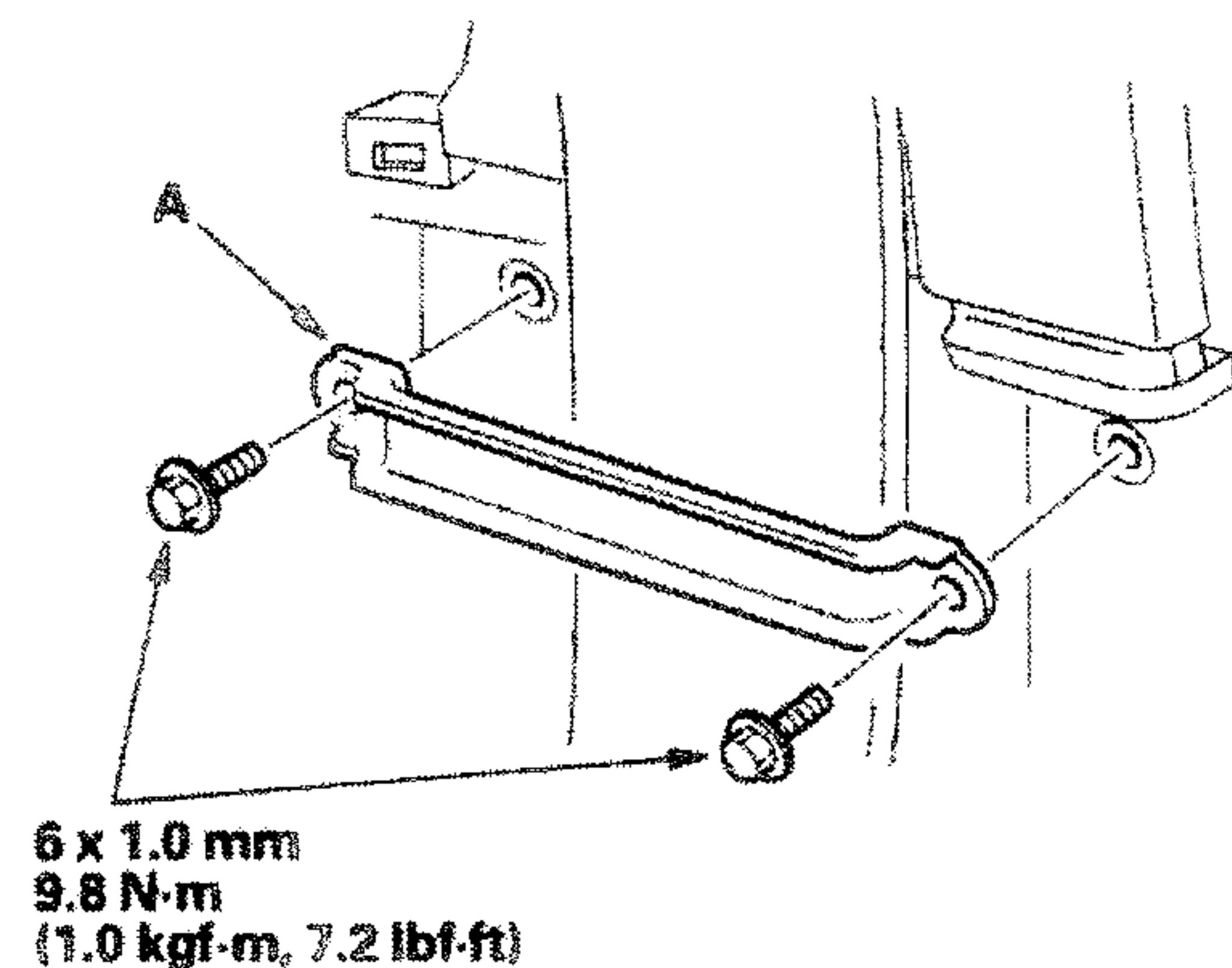


7. Remove the middle cross-member gusset (A):

- 1 Detach the clips (B), and pull back the carpet (C).
- 2 Remove the bolts (D, E) and nut (F), then remove the gusset.

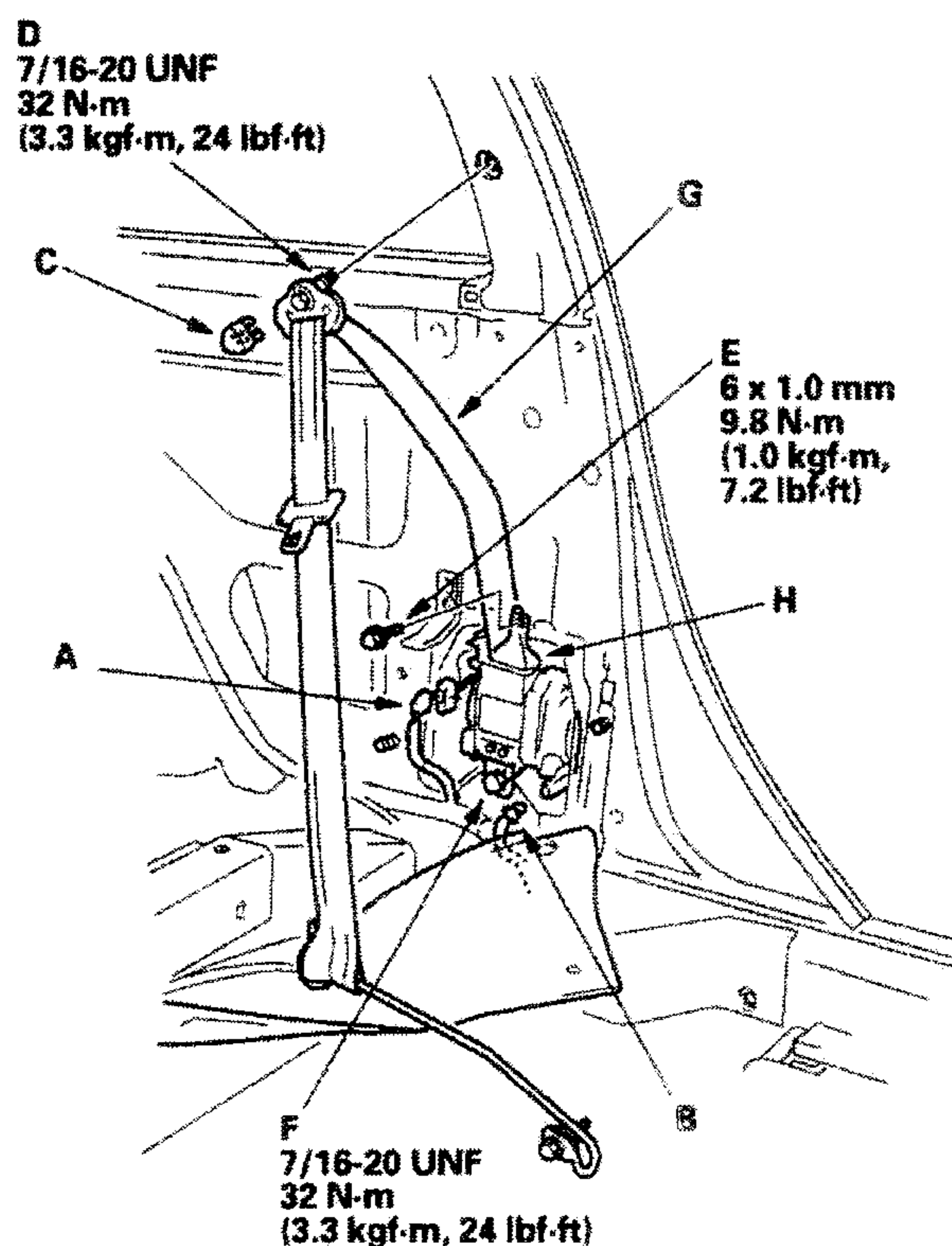


8. Remove the bolts, then remove the seat belt guide (A).





9. Disconnect the seat belt tensioner connector (A) and seat belt tension reducer connector (B). Remove the upper anchor cap (C), upper anchor bolt (D), the retractor mounting bolt (E), and the retractor bolt (F). Remove the front seat belt (G) and retractor (H).



10. Install the seat belt and retractor in the reverse order of removal, and note these items:

- Apply liquid thread lock to the upper anchor bolt before reinstallation.
- Check that the retractor locking mechanism functions (see page 23-9).
- Assemble the washers, collar and bushing on the upper and lower anchor bolts as shown.
- Before installing the anchor bolts, make sure there are no twists or kinks in the front seat belt.
- Make sure the seat belt tensioner connector and the seat belt tension reducer connector are plugged in properly.
- When installing the mounting bolts for the middle cross-member gusset (A), torque the mounting hardware in the following sequence shown. If the mounting bolts are not torqued in this sequence, damage to the quarter panel will occur.
- Reconnect the negative cable to the battery.
- Enter the anti-theft code for the radio, then enter the customer's radio station presets.

Middle cross-member gusset installation

