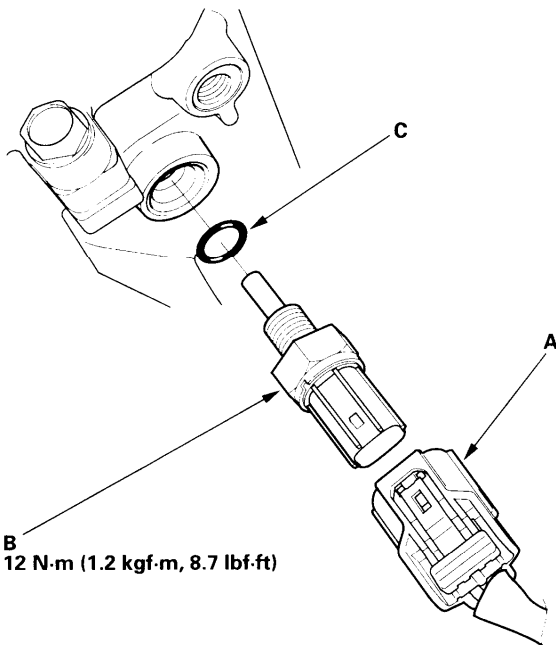


PGM-FI System

ECT Sensor/ECT Sensor 1 Replacement

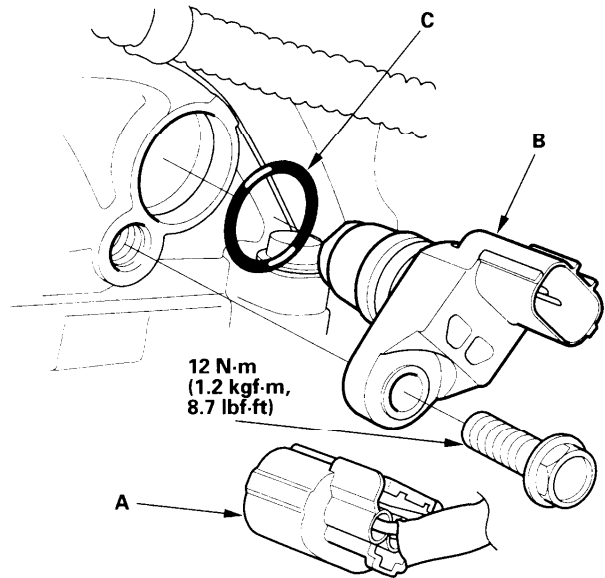
1. Remove the air cleaner (see page 11-352).
2. Remove the EVAP canister purge valve (see page 11-398).
3. Unbolt the under-hood fuse/relay box bolt and move the box aside.
4. Disconnect the ECT sensor/ECT sensor 1 connector (A).



5. Remove the ECT sensor/ECT sensor 1 (B).
6. Install the parts in the reverse order of removal with a new O-ring (C), then refill the radiator with engine coolant (see page 10-6).

CMP Sensor B Replacement

1. Remove the air cleaner (see page 11-352).
2. Remove the EVAP canister purge valve (see page 11-398).
3. Disconnect the CMP sensor B connector (A).



4. Remove CMP sensor B (B).
5. Install the parts in the reverse order of removal with a new O-ring (C).