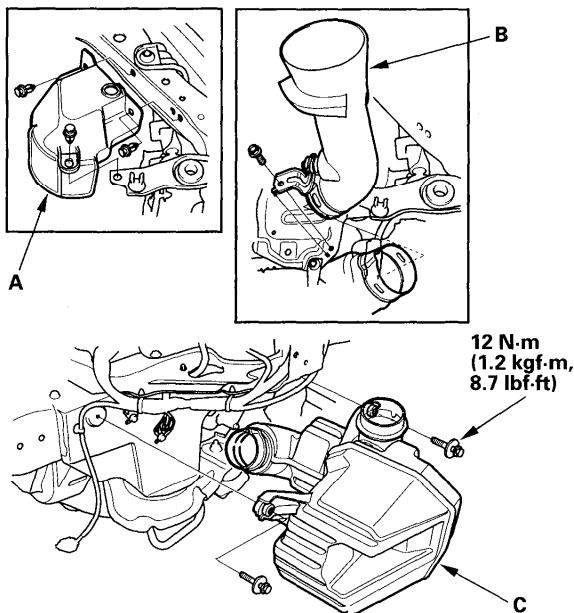




## Resonator Removal/Installation

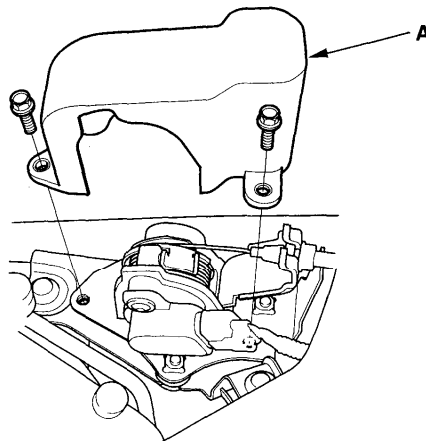
1. Remove the front bumper (see page 20-127).
2. Remove the intake air cover (A), then remove the intake air duct (B).



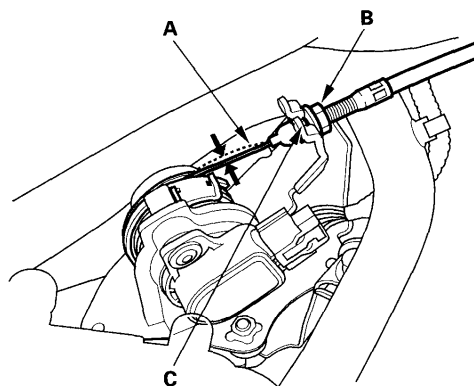
3. Remove the resonator (C).
4. Install the parts in the reverse order of removal.

## Throttle Cable Adjustment

1. Remove the throttle cable cover (A).



2. Check cable free play at the throttle linkage. Cable free play (A) should be 9/16—11/16 in. (15—18 mm).



(cont'd)