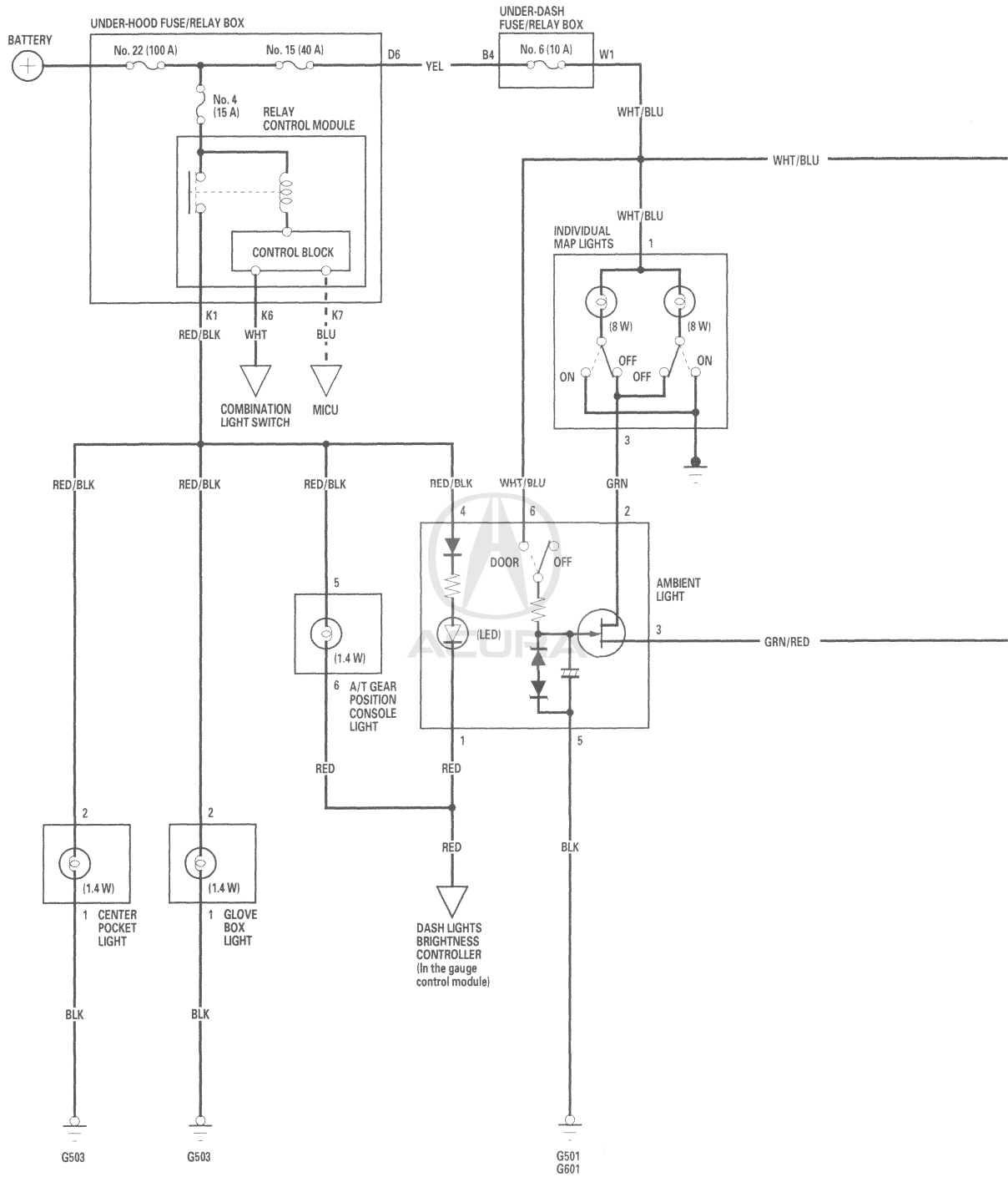
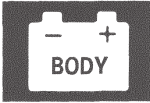


Interior Lights

Circuit Diagram





----- : CAN line

